

radicon

with you at every turn

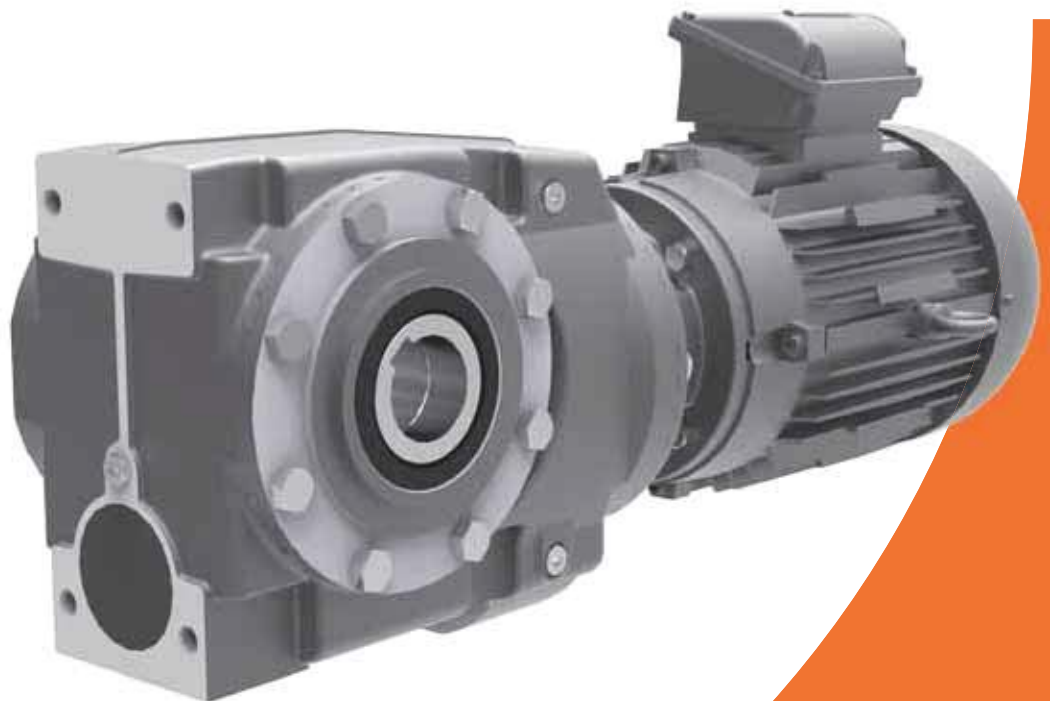
benzlers

with you at every turn

Series C Helical Worm


BCI_{nv}
elektromotoren

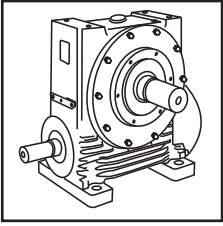
Gentstraat 187
B-8770 Ingelmunster
t +32 0 51 30 49 73
t +32 0 51 30 98 63
f +32 0 51 31 41 02
Info@bcl.be
www.bcl.be



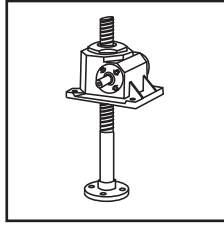
Technical
Up to - 45 Kw / 10,000 Nm

Geared Motors
CC-2.01GB0914

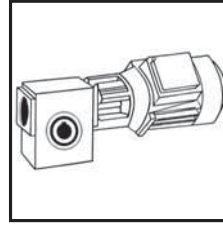
PRODUCTS IN THE RANGE



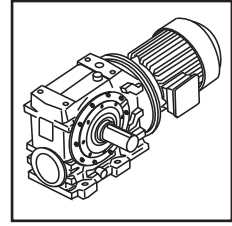
Series A
Worm Gear units
and geared motors
in single & double
reduction types



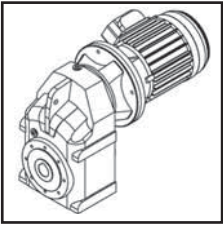
Series BD
Screwjack worm
gear unit



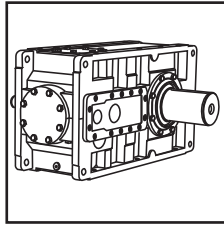
Series BS
Worm gear unit



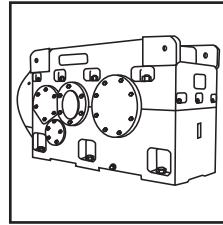
Series C
Right angle drive
helical worm geared
motors & reducers



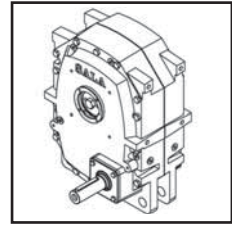
Series F
Parallel shaft helical
geared motors &
reducers



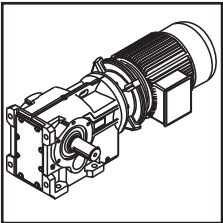
Series G
Helical parallel shaft
& bevel helical right
angle drive gear
units



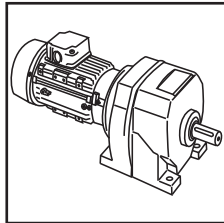
Series H
Large helical parallel
shaft & bevel helical
right angle drive units



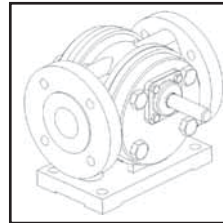
Series J
Shaft mounted
helical speed
reducers



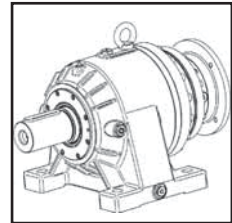
Series K
Right angle helical
bevel helical geared
motors & reducers



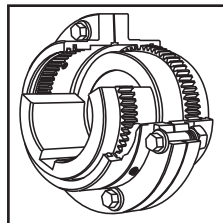
Series M
In-line helical geared
motors & reducers



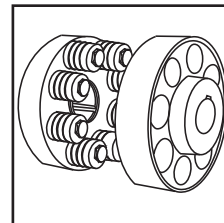
Roloid Gear Pump
Lubrication and fluid
transportation pump



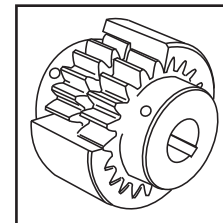
Series P
Planetary
Foot and flange
mounted planetary
units



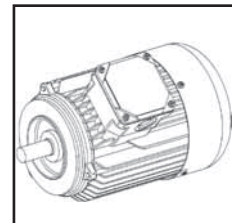
Series X
Elign Gear
Torsionally rigid,
high torque coupling



Series X
Elflex
Pin and bush
elastomer coupling



Series X
Nylicon
Gear coupling with
nylon sleeve



Motors
Full range of IEC
motors



We offer a wide range of repair services and many years experience of repairing demanding and highly critical transmissions in numerous industries.

We can create custom engineered transmission solutions of any size and configuration.

General Description _____	2
Unit Designations _____	3
Explanation and use of Ratings and Service Factors _____	4
Load Classification by Applications _____	5
Selection Procedure _____	6 - 7
Output Options _____	8 - 9
Motor Adaptors _____	10 -12
Lubrication _____	13
Mounting Positions _____	14
Unit Handlings _____	15
MOTORISED	
Motor Performance Data and Standard Motor Variants Available _____	18
Motor Details _____	19
Additional Motor Features _____	20
Additional Gearbox Features _____	21
Selection Tables - Geared Motors _____	22 - 61
Dimension Sheets - Geared Motors _____	62 - 69
Dimensions Output Options _____	70
Motorised Backstop Module _____	71
REDUCER	
Overhung & Axial Loads on Shafts _____	74
Ratings - Input Power / Output Torque _____	75 - 82
Dimension Sheets - Speed Reducers _____	83 - 88
Dimension Sheet - Units fitted with Feet _____	89 - 90
Thermal Power Ratings / Dimensions of Unit with Fan _____	91 - 92
Reducer Backstop Module _____	93
OUTPUT OPTIONS	
Dimensions of Outputshaft Options _____	94
Dimension Sheet - Torque Bracket _____	95
Dimensions of B5 (D) Flange units _____	96
Dimensions of B14 (C) Flange units _____	97
Agitator Units _____	98
Dimension Sheet - Assembly / Disassembly _____	99 - 100
Shipping Specification _____	101
Product Safety Data _____	102

GENERAL DESCRIPTION

Series C

right angle helical worm geared motors and reducers provide a highly efficient and compact solution to meet most requirements up to 45 kW with maximum output torque capacity of 10,000Nm.

Following a long line of power transmission products, this product adds to the growing family of new drives which has taken advantage of our many years of accumulated design expertise, together with the use of high quality materials and components. The end result is a series of speed reducing and geared motors offering high load carrying capacity, increased efficiency, quiet running and reliability.

The Range Includes

Eight sizes of units with a ratio coverage of 8:1 to 250:1 in double reduction and 16000:1 in combined units.

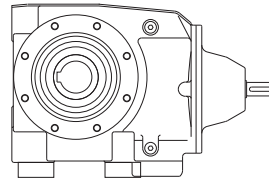
- Version W - Standard Unit (C03 - C06 Only)
- Version B - Standard Unit with Base Mounted Feet
- Version E - Standard Unit with End Mounted Feet
- Version R - Standard Unit with Top Mounted Feet
- Version V - Standard Unit with Drywell and Output Flange for Mounting Positions 2 & 3 (sizes C07 - C10 only)
- Version F/H - Standard Unit with Output Flange
- Version G - Standard Unit with Output Flange Reduced Diameter (size C03 only)
- Version T/Q - Standard Unit with Torque Arm
- Version U - Standard Unit Torque Arm Heavy Duty (C10 only)
- Version A - Agitator (Sizes C07 - C10 only)

Unit Types:

- Unit type M - Motorised with IEC Standard Motor
- Unit type D - Motorised with Compact Motor
- Unit type N - Motorised with NEMA Standard Motor
- Unit type H - Motorised with High Efficiency Motor (IE3)
- Unit type E - Motorised with NEMA High Efficiency Motor (PREMIUM)
- Unit type G - Unit to Allow Fitting of Customers IEC Motor
- Unit type A - Unit to Allow Fitting of Customers NEMA Motor
- Unit type R - Reducer Unit
- Unit type S - Reducer Unit with Fan Kit
- Unit type W - Reducer Unit with Backstop CCW Rotation
- Unit type X - Reducer Unit with Backstop CW Rotation
- Unit type Y - Reducer Unit with Fan and Backstop CW Rotation
- Unit type Z - Reducer Unit with Fan and Backstop CCW Rotation

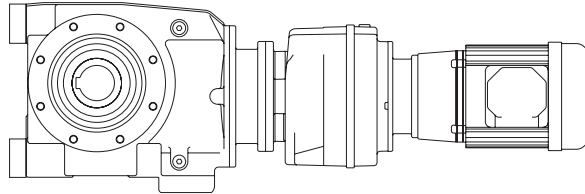
Design Features Include

- Patented standard motor connection (IEC or NEMA).
- Ability to fit double oil seals input and output as required.
- All units are dimensionally interchangeable with other major manufacturers.
- Brake geared motors are available as standard.
- Sizes 03, 04, 05 and 06 are lubricated for life.
- Motorised units can be fitted with a backstop module and reducer units can be fitted with a backstop and fan.
- Units are manufactured and assembled from a family of modular kits for distributor friendliness minimising inventory and maximising availability.
- As improvements in design are being made continually this specification is not to be regarded as binding in detail and*



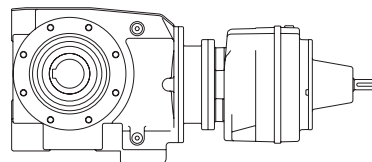
Two stage reduction unit with base mounted feet and hollow output shaft

* C 0 4 2 1 1 8 . B R H - 1 - - - - - - - -



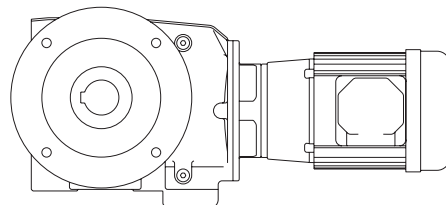
Four stage motorised unit with end mounted feet and hollow output shaft

* C 0 4 4 1 2 8 0 E M H - 1 A . 1 8 A - -

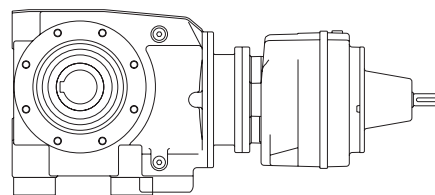


Four stage reduction unit with hollow output shaft

* C 0 5 4 1 2 8 0 W R H - 1 - - - - - - - -

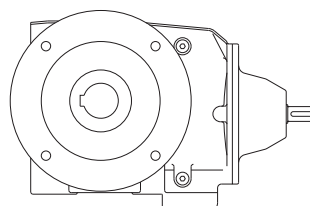


Two stage motorised unit with output flange and single extension output shaft



Four stage reduction unit with base mounted feet and hollow output shaft

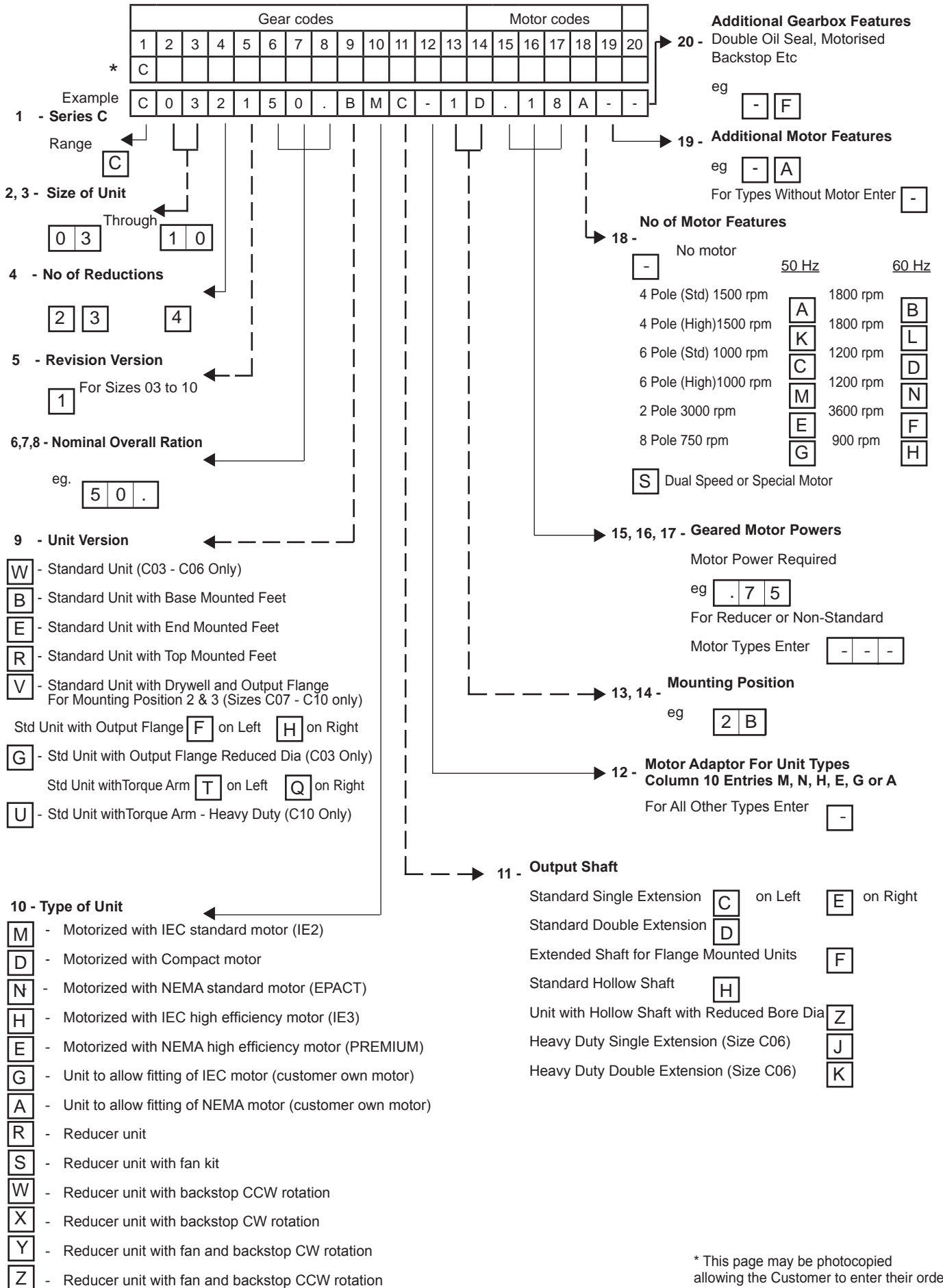
* C 0 4 4 1 2 8 0 B R H - 1 - - - - - - - -



Two stage reduction unit with output flange and single extension output shaft

* C 0 5 2 1 1 6 0 F R C - 1 - - - - - - - -

* Typical unit designations



* This page may be photocopied allowing the Customer to enter their order

SERIES C

EXPLANATION & USE OF RATINGS & SERVICE FACTORS

Gear unit selection is made by comparing actual loads with catalogue ratings. Catalogue ratings are based on a standard set of loading conditions, whereas actual load conditions vary according to type of application. Service Factors are therefore used to calculate an equivalent load to compare with catalogue ratings.

i.e. Equivalent Load = Actual Load x Service Factor

Mechanical ratings and service factor Fm

Mechanical ratings measure capacity in terms of life and/or strength, assuming 10 hr/day continuous running under uniform load conditions.

Catalogue ratings allow 100% overload at starting, braking or momentarily during operation up to 10 hours per day.

The unit selected must therefore have a catalogue rating at least equal to half maximum overload.

Mechanical Service Factor Fm (Table 1) is used to modify the actual load according to daily operating time, and type of loading.

Load characteristics for a wide range of applications are detailed in Table 3 opposite, which are used in deciding the appropriate Service Factor Fm from Table 1.

If overloads can be calculated, or accurately assessed, actual loads should be used instead of Fm.

For units subjected to frequent stop/starts overloads in excess of 10 times/day multiply factor Fm x Factor Fs (table 2).

Table 1. Mechanical Service Factor (Fm)

Prime Mover	Duration of service hrs Per day	Load classification- driven machine		
		Uniform mass acceleration factor < 0.2	Moderate mass acceleration factor < 0.3	Heavy acceleration factor < 10
Electric Motor, Steam Turbine, or Hydraulic Motor	< 3	0.80	1.00	1.50
	3 - 10	1.00	1.25	1.75
	> 10	1.25	1.50	2.00
Multi-cylinder internal combustion engine	< 3	1.00	1.25	1.75
	3 - 10	1.25	1.50	2.00
	> 10	1.50	1.75	2.25
single cylinder internal combustion engine	< 3	1.25	1.50	2.00
	3 - 10	1.50	1.75	2.25
	> 10	1.75	2.00	2.50

Mass acceleration factor = $\frac{\text{all external moments of inertia}^*}{\text{moment of inertia of driving motor}}$

* calculated with reference to the motor speed

Table 2. Number of Starts Factor (Fs)

Starts/ stops per hour	< 1	5	10	40	60	> 200
Factor FS	1.00	1.03	1.06	1.10	1.15	1.20

Note: (1) Intermediate values are obtained by linear interpolation

Thermal Rating (For In-line Reducers)

The Thermal Rating is the gearboxes ability to dissipate heat. If exceeded, may cause the lubricant to break down resulting in premature gear failure. A thermal check should be made in accordance with the Thermal Rating Procedure

SERIES C

LOAD CLASSIFICATION BY APPLICATION

Load Classifications - U =Uniform Load M =Moderate Shock Load H =Heavy Shock Load † =Consult our Engineers

Agitators		Elevators		Machine Tools		Pumps	
Pure liquids	U	Bucket - Uniform load	U	Bending roll	M	Centrifugal proportioning	U
Liquids and solids	M	Bucket - Heavy load	M	Punch press	H	Proportioning	M
Liquids variable density	M	Bucket - Continuous	U	Notching press	H	Reciprocating	
		Centrifugal discharge	U	Plate planer	H	Single acting 3+ cylinders	M
Blowers		Escalators	U	Other machine tools		Double acting 2+ cylinders	M
Centrifugal	U	Freight	M	Main drive	M	Single acting 1 & 2 cylinders	†
Lobe	M	Gravity discharge	U	Aux drive	U	Double acting 1 cylinder	†
Vane	U	Passenger lifts	†			Rotary- gear type	U
				Metal mills		Rotary- lobe type/ vane	U
Brewing & distilling		Fans		Carriage/main drive	M		
Bottling machinery	M	Centrifugal	U	Draw bench	M	Sand muller	M
Brew Kettles	M	Cooling towers		Dryer	M		
Cookers	M	Induced draft	†	Flattening machinery	M	Sewage treatment	
Mash tubs	M	Forced draft	†	Pinch drive	M	Bar screen	U
Scale hopper	M	Fan - Large diameter induced draft	M	Reversing slitters	M	Chemical feeder	U
		Fan - Light, small diameter	M	Scrubber rolls	M	Collector	U
				Table conveyors		Dewatering screw	M
Can filling machinery	M	Feeders		Group drives	H	Mixers	M
		Apron	M	Individual drives	H	Scum breaker	M
Crane knife	M	Belt	M	Table conveyors- reversing	H	Thickness	M
		Disc	U	Wire draw	M	Vacuum filters	M
Car dumper	M	Reciprocating	H	Wire roll	M		
		Screw	M			Screens	
Car puller	M			Mills		Air washing	U
		Food industry		Cement kiln	H	Rotary, stone or gravel	M
Clarifier	U	Cereal cooker	U	Dryer, Cooler	H	Traveling water intake	U
		Dough mixer	M	Kiln (other)	H		
Classifier	M	Meat grinder	M	Rod plain	H	Slab pushers	M
		Meat slicer	M	Rod wedge bar	H		
Clay wokring machinery		Generators - not welding	U	Rotary/ Ball	H	Sliewing	H
Brick press	H			Tumbling barrel	H		
Briquette machine	H	Hammer mills	H			Steering gear	†
Clay working machinery	M			Mixers			
Plug mill	M	Hoists		Concrete	M	Stokers	U
		Heavy duty	H	Cons density	U		
Compressors		Medium duty	M	Variable density	M	Sugar industry	
Centrifugal	U	Skip hoist	M			Can knife	M
Lobe	M			Oil industry		Crusher	M
Reciprocating		Laundry		Chiller's	M	Mills	M
Multi cylinder	M	Tumbler	M	Oil well pump	M		
Single cylinder	H	Washer	M	Filter press	M	Textile industry	
				Rotary kiln	M	Batchers	M
Conveyors- Light duty uniform load		Line shafts				Calenders	M
Apron	U	Heavy duty	M	Paper industry		Cards	M
Assembly	U	Light duty	U	Agitator (mixer)	M	Dry cans	M
Belt	U			Barker (hydraulic)	M	Dryers	M
Bucket	U	Lumber industry		Barker (mechanical)	H	Dyeing machinery	M
Chain	U	Barkers	M	Barking drum	H	Knitting machinery	M
Flight	U	Burner conveyor	H	Beater & Pulper	M	Looms	M
Oven	U	Chain/ Drag saw	H	Bleacher	U	Mangles	M
Screw	U	Chain transfer	H	Calendnders	M	Nappers	M
		Chain way transfer	H	Calenders- super	H	Pads	M
Conveyors - Heavy duty uniform load		De- barking drum	H	Converting machine	M	Range drive	M
Apron	M	Edger feed	M	Conveyors	U	Slashers	M
Assembly	M	Gang feed	M	Couch	M	Soapers	M
Belt	M	Green chain	M	Cutters - plates	H	Spinners	M
Bucket	M	Live roll	M	Cylinders	M	Tenter frame	M
Chain	M	Log deck	H	Dryers	M	Washers	M
Flight	M	Log haul	H	Felt stretcher	M	Winders	M
Live roll	†	Log turning	H	Felt whipper	H		
Oven	M	Log conveyoyr	H	Jordans	M	Windlass	†
Reciprocating	M	Of bearing roll	M	Log haul	H		
Screw	M	Planer feed chaines	M	Machine real	M		
Shaker	M	Planer hoist	M	Presses	M		
		Re-saw conveyor	M	Stock chest	M		
Cranes	†	Roll cases	H	Suction roll	M		
		Slab conveyor	H	Washers & thickeners	M		
Crusher		Sorting table - triple hoist	M	Winders	M		
Ore	H	Triple hoist - Drive /conveyor	M			Printing presses	†
Stone	H	Transfer conveyor	M				
Sugar	H	Transfer roll	M	Pullers			
		Tray drive	M	Barge haul	H		
Dredger	M	Trimmer feed	M				
Cable reals	M	Waster conveyor	M				
Conveyors	M	Small waste conveyor (belt)	U				
Cutter head drive	H	Small waste conveyor (chain)	U				
Pumps	M						
Screen drive	H						
Stackers	M						
Winches	M						

SERIES C

SELECTION PROCEDURE FOR MOTORISED UNITS

EXAMPLE APPLICATION DETAILS

Absorbed power of driven machine = 0.7 kW
 Output speed of gearbox or Input speed of machine = 68 rev/min
 Application = Uniformly loaded belt conveyor
 Duration of service (hours per day) = 24hrs
 Mounting position = 1
 Ambient temperature = 20°C
 Running time (%) = 100%

Note!

If you select a Series C Reducer for use without TEFC motor, A thermal check must be made.

1 DETERMINE MECHANICAL SERVICE FACTOR (Fm)

Refer to Load Classification by Application, table 3, page 6

Application = Uniformly loaded belt conveyor

Conveyors-uniformly loaded or fed

apron	U	U = Uniform load
assembly	U	
belt	U	
bucket	U	
chain	U	

Refer to mechanical service factor (Fm)

Duration of service (hours per day) = 24hrs

Prime mover	Duration of services per day	Load classification	
		Uniform	Moderate
Electric motor, steam turbine or hydraulic motor	< 3	0.80	1.00
	3 - 10	1.00	1.25
	> 10	1.25	1.50

Therefore mechanical service factor (Fm) = 1.25

If the unit is subject to frequent start/stops Fm must be multiplied by factor Fs

2 DETERMINE REQUIRED OUTPUT TORQUE AT GEARBOX OUTPUTSHAFT

Absorbed output torque = $\frac{\text{Absorbed power} \times 9550}{\text{Gearbox output speed}}$

$$\frac{0.7 \times 9550}{68} = 98 \text{ Nm}$$

3 SELECT GEARED MOTOR

Refer to selection table one motor size larger than absorbed power.

Absorbed power = 0.7 kW, therefore refer to 0.75 kW selection table.

Always select from 4 POLE selection table in the first instance as this offers a more economical solution.

Required output speed of gearbox = 68 rev/min

0.75 kW		N2 R/MIN	i	M2 Nm	Fm	N	UNIT DESIGNATION	Kg	
4 POLE		Output Speed	Ratio	Output Torque	Service Factor	Overhung Load	Column Entry <input type="text" value="1"/> Through <input type="text" value="20"/> Spaces to be filled when entering order	Weight of Base Mount Unit	Motor Frame Size
		165	8.59	36	2.24	2841	C 0 3 2 1 8 . 0 _ M _ _ _ . 7 5 A - -	19.5	80A
		122	11.61	48	1.81	2837	1 1 .		
		107	13.20	54	1.65	2832	1 2 .		
		95	14.95	62	1.51	2832	1 4 .		
		86	16.36	60	1.44	2827	1 6 .		
		74	19.12	78	1.27	2821	1 8 .		
		69	20.61	84	1.2	2821	2 0 .		
		64	22.11	80	1.18	2821	2 2 .		
		56	25.14	90	1.08	2810	2 5 .		
		50	28.48	101	1	2810	2 8 .		

Go to point 4

SERIES C

SELECTION PROCEDURE FOR MOTORISED UNITS

4 CHECK OUTPUT TORQUE

Output torque (M2) of selected unit must be equal or more than required output torque at gearbox outputshaft.
 Required output torque at gearbox outputshaft = 98 Nm.

0.75 kW 4 POLE	N2 R/MIN	i	M2 Nm	Fm	N	UNIT DESIGNATION	Kg	
	Output SPEED	Ratio	Output Torque	Service Factor	Overhung Load	Column Entry <input type="text" value="1"/> Through <input type="text" value="20"/> Spaces to be filled when entering order	Weight of Base Mount Unit	Motor Frame Size
	74	19.12	78	1.27	2821	C 0 3 2 1 1 8 . _ M _ _ _ . 7 5 A _ _	19.5	80A
	69	20.61	84	1.2	2821	2 0 .		
	64	22.11	80	1.18	2821	2 2 .		

However the output torque is only 84 against the requirement of 98 Nm, hence a unit fitted with a 1.1 kW motor is required

1.1 kW 4 POLE	N2 R/MIN	i	M2 Nm	Fm	N	UNIT DESIGNATION	Kg	
	Output SPEED	Ratio	Output Torque	Service Factor	Overhung Load	Column Entry <input type="text" value="1"/> Through <input type="text" value="20"/> Spaces to be filled when entering order	Weight of Base Mount Unit	Motor Frame Size
	74	19.12	115	0.86	2800	C 0 3 2 1 1 8 . _ M _ _ _ _ 1 - 1 A _ _	24.5	90S
	68	20.61	123	0.82	2800	2 0 .		
	64	22.11	117	1.8	2800	2 2 .		

Selected unit's output torque (M2) = 123 Nm, therefore the torque from a 1.1 kW motor is acceptable.

5 CHECK SERVICE FACTOR

Service factor (Fm) of selected unit must be equal or more than required service factor.
 Required service factor of gearbox = 1.25

1.1 kW 4 POLE	N2 R/MIN	i	M2 Nm	Fm	N	UNIT DESIGNATION	Kg	
	Output SPEED	Ratio	Output Torque	Service Factor	Overhung Load	Column Entry <input type="text" value="1"/> Through <input type="text" value="20"/> Spaces to be filled when entering order	Weight of Base Mount Unit	Motor Frame Size
	74	19.12	115	0.86	2800	C 0 3 2 1 1 8 . _ M _ _ _ _ 1 - 1 A _ _	24.5	90S
	68	20.61	123	0.82	2800	2 0 .		
	64	22.11	117	0.8	2800	2 2 .		
	86	16.36	91	1.57	5275	C 0 4 2 1 1 6 . 0 _ M _ _ _ _ 1 - 1 A _ _	26.5	90S
	74	19.12	117	1.43	5275	C 0 4 2 1 1 8 . 0		
	68	20.61	125	1.36	5275	C 0 4 2 1 2 0 . 0		
	64	22.11	121	1.28	5275	C 0 4 2 1 2 2 . 0		

The service factor (Fm) is only 0.82, therefore this unit is not acceptable. and a larger C0421 unit must be selected with a service factor (Fm) of 1.36

5 CHECK OVERHUNG LOADS

If sprocket, gear, etc is mounted on the outputshaft then refer to Overhung Loads Procedure, and compare with allowable overhung load (N) of selected unit
 Allowable overhung load (N) must be equal or more than calculated overhung load (P)

1.1 kW 4 POLE	N2 R/MIN	i	M2 Nm	Fm	N	UNIT DESIGNATION	Kg	
	Output Speed	Ratio	Output Torque	Service Factor	Overhung Load	Column Entry <input type="text" value="1"/> Through <input type="text" value="20"/> Spaces to be filled when entering order	Weight of Base Mount Unit	Motor Frame Size
	164	8.59	54	2.51	5286	C 0 4 2 1 8 . 0 _ M _ _ _ _ 1 - 1 A _ _	24.5	90S
	121	11.61	72	2.04	5279	1 1 .		
	107	13.20	82	1.87	5280	1 2 .		
	94	14.95	92	1.71	5275	1 4 .		
	86	16.36	91	1.57	5275	1 6 .		
	74	19.12	117	1.43	5275	1 8 .		
	68	20.61	125	1.36	5275	2 0 .		
	64	22.11	121	1.28	5275	2 2 .		

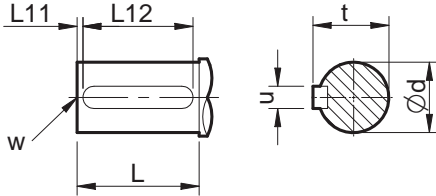
NOTE: If any of the following conditions occur then consult our Application Engineers:-

- a) Inertia of the Driven Machine (Referred to motor speed) >10
 Inertia of Gear Unit plus the Motor
- b) Ambient temperature is above 40°C

SERIES C

OUTPUT OPTIONS

OUTPUTSHAFT OPTIONS, COLUMN 11 ENTRY



* Inch shafts have open ended keyways, therefore no 'L11' dimension is required

Column 11 Entry

Standard Single Extension **C** on Left **E** on Right

Standard Double Extension **D**

Std Heavy Duty Single Extension (Size C06) **J**

Std Heavy Duty Double Extension (Size C06) **K**

Inch Single Extension **N** on Left **B** on Right

Inch Double Extension **P**

Inch Heavy Duty Single Extension (Size C06) **L**

Size	Type of Output Shaft	Column 11 Entry	Dimensions in mm (Inch shaft in inches)						
			Ød	L	L11	L12	t	u	w
C03	Metric - Standard	C, E, D	20.015 / 20.002	35	3	31.2	2.5	6	M6 x 1.0 x 16
	Inch	N, B, P	0.7500" / 0.7495"	1.38"	*	1.28"	0.83"	0.19"	1/4 UNF x 0.63"
C04	Metric - Standard	C, E, D	25.015 / 25.002	46	3	42	28	8	M10 x 1.5 x 22
	Inch	N, B, P	1.0000" / 0.9995"	1.81"	*	1.69"	1.10"	0.25"	1/4 UNF x 0.63"
C05	Metric - Standard	C, E, D	30.015 / 30.002	60	3	53	33	8	M10 x 1.5 x 22
	Inch	N, B, P	1.2500" / 1.2494"	2.36"	*	2.125"	1.36"	0.25"	3/8 UNF x 0.87"
C06	Metric - Standard	C, E, D	35.018 / 35.002	63	3	55	38	10	M12 x 1.75 x 22
	Metric - Heavy Duty	J, K	45.018 / 45.002	98	5	80	48.5	14	M16 x 2.0 x 36
	Inch	N, B, P	1.3750" / 1.3744"	2.48"	*	2.34"	1.51"	0.313"	1/2 UNF x 1.125"
	Inch - Heavy Duty	L	1.7500" / 1.7494"	3.86"	*	3.75"	1.92"	0.375"	5/8 UNF x 1.44"
C07	Metric - Standard	C, E, D	45.018 / 45.002	76	3	70	48.5	14	M16 x 2.0 x 36
	Inch	N, B, P	1.7500" / 1.7494"	2.99"	*	2.625"	1.917"	0.375"	5/8 UNF x 1.44"
C08	Metric - Standard	C, E, D	60.030 / 60.011	120	3	110	64	18	M20 x 2.5 x 42
	Inch	N, B	2.3750" / 2.3744"	4.72"	*	4.125"	2.646"	0.625"	3/4 UNF x 1.75"
	Inch - Double Ext	P	2.3125" / 2.3115"	4.72"	*	4.125"	2.582"	0.625"	3/4 UNF x 1.75"
C09	Metric - Standard	C, E, D	70.030 / 70.011	135	3	125	74.5	20	M20 x 2.5 x 42
	Inch	N, B	2.8750" / 2.8740"	5.12"	*	4.5"	3.20"	0.75"	3/4 UNF x 1.75"
	Inch - Double Ext	P	2.6875" / 2.6865"	5.12"	*	4.5"	2.963"	0.625"	3/4 UNF x 1.75"
C10	Metric - Standard	C, E, D	90.035 / 90.013	170	3	160	95	25	M24 x 3.0 x 50
	Inch	N, B	3.6250" / 3.6240"	6.69"	*	5.875"	4.009"	0.875"	1 UNF x 2.25"
	Inch - Double Ext	P	3.1875" / 3.1865"	6.69"	*	5.875"	3.518"	0.750"	1 UNF x 2.25"

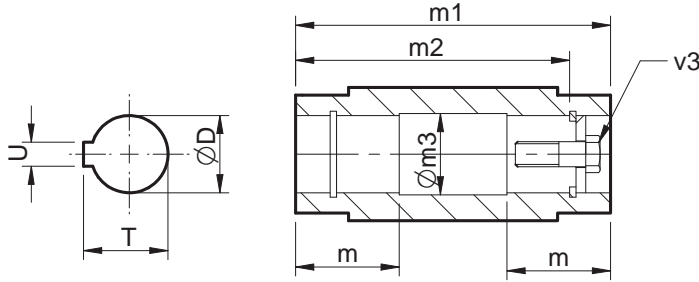
SERIES C

OUTPUTBORE OPTIONS

OUTPUT BORE OPTIONS, COLUMN 11 ENTRY

Column 11 Entry

- Metric Hollow Shaft H
- Inch Hollow Shaft A
- Metric Hollow Shaft with reduced bore diameter Z



Size	Type of Bore	Column 11 Entry	Dimensions in mm (Inch shaft in inches)							
			ØD	m	m1	m2	Øm3	T	U	v3
C03	Standard	H	20.021/20.000	52	124	104	20.2	22.9	6	M6 x 1.0 x 40
	Inch	A	0.7508"/0.7500"	2.05"	4.88"	4.13"	0.76"	0.84"	0.188"	1/4" UNF x 1 1/2"
C04	Standard	H	30.021/30.000	54	130	122	30.2	33.5	8	M10 x 1.5 x 50
	Reduced Dia	Z	25.021/25.000	54	130	125	25.2	28.5	8	M10 x 1.5 x 50
	Inch	A	1.2510"/1.2500"	2.13"	5.12"	4.81"	1.26"	1.37"	0.25"	3/8" UNF x 2"
C05	Standard	H	35.025/35.000	56	140	127	35.3	38.5	10	M12 x 1.75 x 55
	Reduced Dia	Z	30.021/30.000	56	140	127	30.3	33.5	8	M10 x 1.5 x 45
	Inch	A	1.3760"/1.3750"	2.20"	5.52"	5.00"	1.39"	1.53"	0.313"	1/2" UNF x 2"
C06	Standard	H	45.025/45.000	70	180	156	45.3	49	14	M16 x 2.0 x 70
	Reduced Dia	Z	40.025/40.000	70	180	156	40.3	43.5	12	M16 x 2.0 x 70
	Inch	A	1.5010"/1.5000"	2.76"	7.08"	6.14"	1.51"	1.67"	0.375"	5/8" UNF x 2 3/4"
C07	Standard	H	60.030/60.000	79	218	188	60.5	64.6	18	M20 x 2.5 x 80
	Reduced Dia	Z	50.030/50.000	79	218	191	50.5	54	14	M16 x 2.0, x 70
	Inch	A	2.0010"/2.0000"	3.11"	8.58"	7.41"	2.02"	2.23"	0.50"	5/8" UNF x 3"
C08	Standard	H	70.030/70.000	90	250	220	70.5	75.1	20	M20 x 2.5 x 80
	Reduced Dia	Z	60.030/60.000	90	250	220	60.5	64.6	18	M20 x 2.5 x 80
	Inch	A	2.3760"/2.3750"	3.54"	9.84"	8.68"	2.40"	2.66"	0.625"	3/4" UNF x 3"
C09	Standard	H	90.035/90.000	107.5	300	265	90.5	95.6	25	M24 x 3.0 x 110
	Reduced Dia	Z	70.030/70.000	107.5	300	270	70.5	75.1	20	M20 x 2.5, x100
	Inch	A	2.7510"/2.7500"	4.23"	11.82"	10.65"	2.76"	3.04"	0.625"	3/4" UNF x 4 1/4"
C10	Standard	H	100.035/100.000	132.5	350	313	100.5	106.6	28	M24 x 3.0 x 110
	Reduced Dia	Z	80.030/80.000	132.5	350	313	80.5	85.6	22	M20 x 2.5 x 100
	Inch	A	3.2510"/3.2500"	5.22"	13.78"	12.32"	3.26"	3.59"	0.75"	1" UNF x 4 1/4"

SERIES C

MOTOR ADAPTERS

IEC AND NEMA

Double Reduction Units

Compact Motor - Column 12 Entry - D

Power	C0321		C0421		C0521		C0621		C0721		C0821	
	8.0 - 28. 36. - 40.	32. 45. - 250	8.0 - 28. 36. - 40.	32. 45. - 250	8.0 - 40. 56. - 63.	45. - 50. 71. - 250	8.0 - 28. 36. - 40.	32. 45. - 250	8.0 - 28. 36. - 40.	32. 45. - 250	8.0 - 40. 56. - 63.	45. - 50. 71. - 250
0.25 kW	•	•	•	•	•	•	•	•	•	•	•	•
0.37 kW	•	•	•	•	•	•	•	•	•	•	•	•
0.55 kW	•	•	•	•	•	•	•	•	•	•	•	•
0.75 kW	•	•	•	•	•	•	•	•	•	•	•	•
1.1 kW	•	•	•	•	•	•	•	•	•	•	•	•
1.5 kW	•	•	•	•	•	•	•	•	•	•	•	•
2.2 kW	•	•	•	•	•	•	•	•	•	•	•	•
3.0 kW	•	•	•	•	•	•	•	•	•	•	•	•
4.0 kW	•	•	•	•	•	•	•	•	•	•	•	•
5.5 kW	•	•	•	•	•	•	•	•	•	•	•	•
7.5 kW	•	•	•	•	•	•	•	•	•	•	•	•

Standard Motor IEC Flanges B14 - Column 12 Entry

Motor	C0321		C0421		C0521		C0621		C0721	
	8.0 - 28. 36. - 40.	32. 45. - 250	8.0 - 28. 36. - 40.	32. 45. - 250	8.0 - 40. 56. - 63.	45. - 50. 71. - 250	8.0 - 28. 36. - 40.	32. 45. - 250	8.0 - 28. 36. - 40.	32. 45. - 250
71	H	H	H	H	•	H	•	•	•	•
80	B	K	B	K	B	K	•	G	•	G
90	D	R	D	R	D	R	Z	J	•	J
100	F	S	F	S	F	S	B	L	B	L
112	F	S	F	S	F	S	B	L	B	L
132	•	•	•	•	•	•	•	•	D	Z

Standard Motor IEC Flanges B5 - Column 12 Entry

Motor	C0321		C0421		C0521		C0621		C0721		C0821		C0921		C1021	
	8.0 - 28. 36. - 40.	32. 45. - 250	8.0 - 28. 36. - 40.	32. 45. - 250	8.0 - 40. 56. - 63.	45. - 50. 71. - 250	8.0 - 28. 36. - 40.	32. 45. - 250	8.0 - 28. 36. - 40.	32. 45. - 250	8.0 - 40. 56. - 63.	45. - 50. 71. - 250	8.0 - 40. 56. - 63.	45. - 50. 71. - 250	8.0 - 40. 56. - 63.	45. - 50. 71. - 250
63	F	F	F	F	•	F	•	V	•	•	•	•	•	•	•	•
71	G	G	G	G	•	G	•	D	•	•	•	•	•	•	•	•
80	A	J	A	J	A	J	W	F	•	F	•	D	•	F	•	•
90	C	Q	C	Q	C	Q	Y	H	•	H	•	F	•	F	•	•
100	•	•	•	•	•	•	A	K	A	K	A	F	•	G	•	F
112	•	•	•	•	•	•	A	K	A	K	A	F	•	G	•	F
132	•	•	•	•	•	•	•	N	P	C	M	B	G	•	H	•
160	•	•	•	•	•	•	•	•	•	E	P	C	H	A	J	A
180	•	•	•	•	•	•	•	•	•	•	•	•	•	B	K	B
200	•	•	•	•	•	•	•	•	•	•	•	•	•	C	L	C
225	•	•	•	•	•	•	•	•	•	•	•	•	•	D	M	D

NEMA Motor C Face - Column 12 Entry

Motor	C0321		C0421		C0521		C0621		C0721		C0821		C0921		C1021	
	8.0 - 28. 36. - 40.	32. 45. - 250	8.0 - 28. 36. - 40.	32. 45. - 250	8.0 - 40. 56. - 63.	45. - 50. 71. - 250	8.0 - 28. 36. - 40.	32. 45. - 250	8.0 - 28. 36. - 40.	32. 45. - 250	8.0 - 40. 56. - 63.	45. - 50. 71. - 250	8.0 - 40. 56. - 63.	45. - 50. 71. - 250	8.0 - 40. 56. - 63.	45. - 50. 71. - 250
56c	T	U	T	U	T	U	•	Q	•	Q	•	M	•	•	•	•
143/145TC	V	W	V	W	V	W	•	R	•	R	•	N	•	•	•	•
182/184TC	X	•	X	•	X	•	S	T	S	T	J	P	•	S	•	P
213/215TC	•	•	•	•	•	•	U	•	U	V	K	Q	•	T	•	Q
254/256TC	•	•	•	•	•	•	•	•	W	•	L	U	P	U	L	R
284/286TC	•	•	•	•	•	•	•	•	•	•	•	•	Q	V	M	S
324/326TC	•	•	•	•	•	•	•	•	•	•	•	•	R	W	N	T

Triple Reduction Units

Compact Motor - Column 12 Entry - D

Power	C0331		C0431		C0531		C0631		C0731	
	132 - 150	100 - 118 160 - 900	132 - 150	100 - 118 160 - 900	132 - 150	100 - 118 160 - 900	100 - 150 200 - 225	160 - 180 265 - 900	132 - 150	100 - 118 160 - 900
0.25 kW	•	•	•	•	•	•	-	•	-	-
0.37 kW	•	•	•	•	•	•	-	•	-	-
0.55 kW	•	•	•	•	•	•	•	•	-	•
0.75 kW	•	•	•	•	•	•	•	•	-	•
1.1 kW	•	-	•	-	•	-	•	-	•	•
1.5 kW	•	-	•	-	•	-	•	-	•	•
2.2 kW	-	-	-	-	-	-	-	-	•	•
3.0 kW	-	-	-	-	-	-	-	-	•	•
4.0 kW	-	-	-	-	-	-	-	-	•	-
5.5 kW	-	-	-	-	-	-	-	-	•	-
7.5 kW	-	-	-	-	-	-	-	-	-	-

Standard Motor IEC Flanges B14 - Column 12 Entry

Motor	C0331		C0431		C0531		C0631		C0731	
	132 - 150	100 - 118 160 - 900	132 - 150	100 - 118 160 - 900	132 - 150	100 - 118 160 - 900	100 - 150 200 - 225	160 - 180 265 - 900	132 - 150	100 - 118 160 - 900
71	H	H	H	H	H	H	-	H	-	-
80	B	K	B	K	B	K	B	K	-	G
90	D	R	D	R	D	R	D	R	Z	J
100	E	S	E	S	E	S	E	S	B	L
112	-	-	-	-	-	-	-	-	B	L

Standard Motor IEC Flanges B5 - Column 12 Entry

Motor	C0331		C0431		C0531		C0631		C0731	
	132 - 150	100 - 118 160 - 900	132 - 150	100 - 118 160 - 900	132 - 150	100 - 118 160 - 900	100 - 150 200 - 225	160 - 180 265 - 900	132 - 150	100 - 118 160 - 900
63	F	F	F	F	F	F	-	F	-	V
71	G	G	G	G	G	G	-	G	-	D
80	A	J	A	J	A	J	A	J	W	F
90	C	Q	C	Q	C	Q	C	Q	Y	H
100	-	-	-	-	-	-	-	-	A	K
112	-	-	-	-	-	-	-	-	A	K
132	-	-	-	-	-	-	-	-	N	P

NEMA Motor C Face - Column 12 Entry

Motor	C0331		C0431		C0531		C0631		C0731	
	132 - 150	100 - 118 160 - 900	132 - 150	100 - 118 160 - 900	132 - 150	100 - 118 160 - 900	100 - 150 200 - 225	160 - 180 265 - 900	132 - 150	100 - 118 160 - 900
56c	T	U	T	U	T	U	T	U	-	Q
143/145TC	V	W	V	W	V	W	V	W	-	R
182/184TC	X	-	X	-	X	-	X	-	S	T
213/215TC	-	-	-	-	-	-	-	-	U	-

SERIES C

MOTOR ADAPTERS IEC AND NEMA

Quadruple Reduction Units

Compact Motor - Column 12 Entry - D

Power	C0341	C0441	C0541	C0641	C0741	C0841		C0941		C1041	
	All Ratios	All Ratios	All Ratios	All Ratios	All Ratios	500	560 +	500	560 +	450	560 +
0.25 kW	•	•	•	•	•	-	-	-	-	-	-
0.37 kW	•	•	•	•	•	-	-	-	-	-	-
0.55 kW	•	•	•	•	•	-	•	-	•	-	-
0.75 kW	•	•	•	•	•	-	-	-	•	-	-
1.1 kW	-	-	-	-	-	•	•	•	•	-	•
1.5 kW	-	-	-	-	-	•	•	•	•	-	•
2.2 kW	-	-	-	-	-	•	•	•	•	-	•
3.0 kW	-	-	-	-	-	•	•	•	•	-	•
4.0 kW	-	-	-	-	-	•	-	•	-	-	•
5.5 kW	-	-	-	-	-	•	-	•	-	-	•
7.5 kW	-	-	-	-	-	-	-	-	-	-	•

Standard Motor IEC Flanges B14 - Column 12 Entry

Motor	C0341	C0441	C0541	C0641	C0741	C0841		C0941		C1041	
	All Ratios	All Ratios	All Ratios	All Ratios	All Ratios	500	560 +	500	560 +	450	560 +
71	H	H	H	H	H	-	-	-	-	-	-
80	K	K	K	K	K	-	G	-	G	-	G
90	R	R	R	R	R	Z	J	Z	J	-	J
100	S	S	S	S	S	B	L	B	L	B	L
112	-	-	-	-	-	B	L	B	L	B	L
132	-	-	-	-	-	-	-	-	-	D	N

Standard Motor IEC Flanges B5 - Column 12 Entry

Motor	C0341	C0441	C0541	C0641	C0741	C0841		C0941		C1041	
	All Ratios	All Ratios	All Ratios	All Ratios	All Ratios	500	560 +	500	560 +	450	560+
63	F	F	F	F	F	-	V	-	V	-	-
71	G	G	G	G	G	-	D	-	D	-	-
80	J	J	J	J	J	W	F	W	F	-	F
90	Q	Q	Q	Q	Q	Y	H	Y	H	-	H
100	-	-	-	-	-	A	K	A	K	A	K
112	-	-	-	-	-	A	K	A	K	K	K
132	-	-	-	-	-	N	P	N	P	C	M
160	-	-	-	-	-	-	-	-	-	E	-

NEMA Motor C Face - Column 12 Entry

Motor	C0341	C0441	C0541	C0641	C0741	C0841		C0941		C1041	
	All Ratios	All Ratios	All Ratios	All Ratios	All Ratios	500	560 +	500	560 +	450	560 +
56c	U	U	U	U	U	-	Q	-	Q	-	Q
143/145TC	W	W	W	W	W	-	R	-	R	-	R
182/184TC	-	-	-	-	-	S	T	S	T	S	T
213/215TC	-	-	-	-	-	U	-	U	-	U	V

Lubricant and Quantity

Unit sizes C03, 04, 05 and 06 are factory filled with a grade 6G lubricant.

Unit sizes C07, 08, 09 and 10 will be despatched without oil.

The oil grade is stamped on the name plate and the oil level should be established by filling until the oil escapes via the level plug,

The grade and level are determined from the operating speed of the gear unit and the ambient temperature range, which if not given when ordering will be assumed to be 1450 rev / min input and ambient temperature range 0 to 35°C. Oil grades and oil level should always be checked before installation, Consult the Installation and Maintenance instructions provided with the gear unit.

To determine the oil grade refer to table 1, and then refer to the Installation and Maintenance instructions to select an approved lubricant

To determine the oil capacity refer to appropriate table 2 or 3. Oil capacities are only approximate and units should be filled until oil escapes from the level plug holes. Do not overfill as excess will cause overheating and leakage.

Always fill with correct lubricant as marked on the nameplate. Never mix lubricant grades.

See Installation and Maintenance instructions for lists of approved lubricants within the grades.

If not stated with the order these are the operating conditions that will be assumed

Note: Catalogue ratings are based on Polyglycol Synthetic lubricant
Use with mineral or alternative lubricants may require a derate, please contact our Application Engineers.

Table 1 Series C oil grades

Gear unit details			Ambient temperature range		
Type	Gear unit details	Input Speed (Rev/min)	-30°C - 20°C	0°C - 35°C	20°C - 50°C
Doubles	Ratio 8 - 18	0 - 750	6G	6G	8G
		0>750 - 2000	5G	6G	7G
		>2000 - 3000	4G	6G	6G
	20 - 36	0 - 2000	6G	6G	8G
		>2000 - 3000	5G	6G	7G
		40 - 250	6G	6G	8G
Quadruples	< - 2800	0 - 750	6G	7G	9G
		>750 - 3000	6G	6G	8G
	3200 - 16000	0 - 3000	6G	7G	9G

* For other ambient temperatures please refer to our Application Engineers.

Table 2 lubricant quantity (Litres) (double reduction and final stage quadruple reduction)

Double, Triple & Final stage Quadruple Reduction															
Size		C0321	C0331	C0421	C0431	C0521	C0531	C0621	C0631	C0721	C0731	C0821	C0921	C1021	
Mounting position	1	Level 1 *	0.3	0.4	0.4	0.5	0.7	0.9	1.5	2.1	4.5	4.8	7.1	17	28
		Level 2 *									3.0	3.8	5.9	11	17
	2		0.5	0.8	0.7	0.9	1.0	1.4	2.3	2.5	3.5	3.7	6.2	12	21
			0.5	0.8	0.7	0.9	1.0	1.4	2.2	2.5	3.5	3.7	6.2	12	21
	4	Level 1 *	0.7	1.2	1.0	1.5	1.4	2.1	3.1	4.0	5.1	5.9	9.5	17	26
		Level 2 *									3.0	3.6	4.8	8.3	14
	5		0.6	1.0	0.9	1.3	1.4	2.0	3.0	4.6	5.6	6.6	9.6	18	31
			0.7	1.2	1.0	1.5	1.4	1.9	3.2	4.0	7.4	9.2	12	25	42
	6	Level 1 *	0.7	1.2	1.0	1.5	1.4	1.9	3.2	4.0	5.1	6.9	9.5	17	28
		Level 2 *													

* Use Level 1 for output speeds lower than 100 rpm

* Use Level 2 for output speeds of 100 rpm and higher.

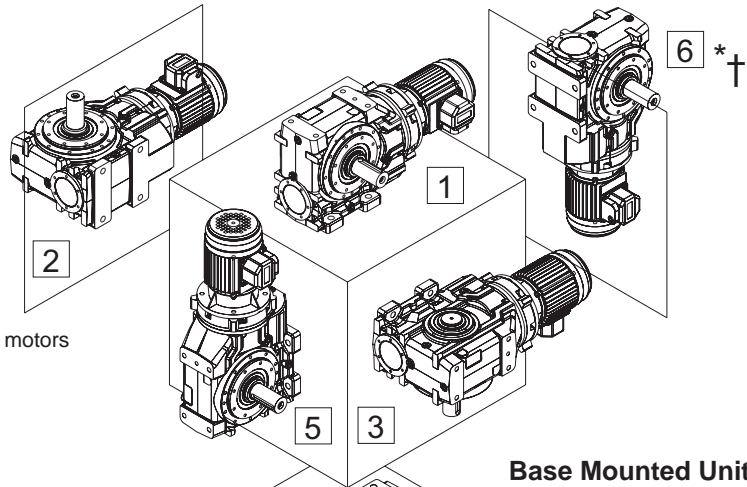
Table 3 lubricant quantity (Litres) (primary stage quadruple reduction)

Primary stage quadruple reduction									
Size	C0341	C0441	C0541	C0641	C0741	C0841	C0941	C1041	
Secondary unit (Lubricant quantity see table 2)	C0321	C0421	C0521	C0621	C0721	C0821	C0921	C1021	
Primary unit	M0122	M0122	M0122	M0322	M0322	M0522	M0522	M0722	
Primary Quantity (unit lubricant)	1 to 4	0.5	0.5	0.5	0.8	0.8	1.5	1.5	2.6
	5 & 6	1.0	1.0	1.0	1.4	1.4	2.6	2.6	4.7

• Unit filled with Grade 6E lubricant suitable for all ambient temperatures between 0°C to 35°C and are 'lubricated for life'

MOUNTING POSITIONS

Column 13 Entry

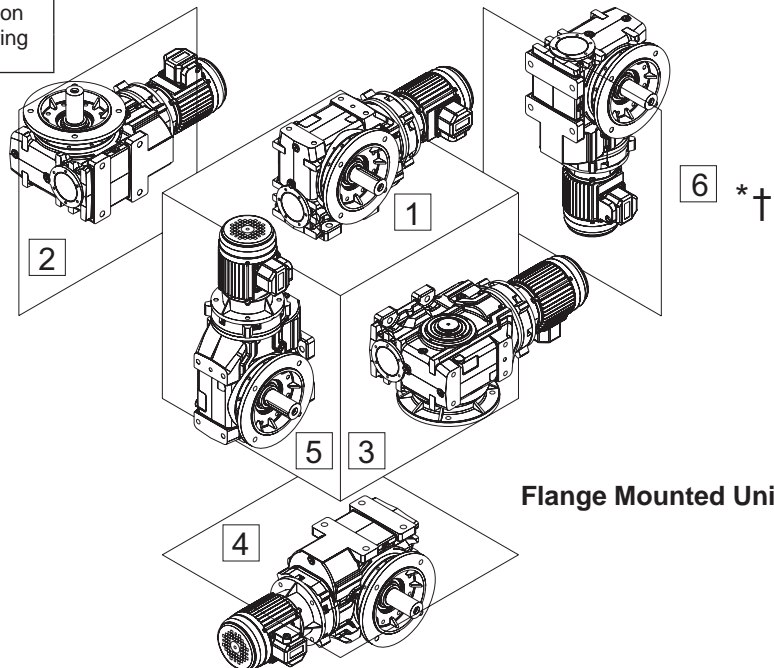


* Mounting Position 6 is not recommended for geared motors
- Consult Application Engineering

† Gear Units for use in mounting positions 5 and 6 should only be selected with overall ratios greater or equal to those shown in table below

Size	Input speed (RPM)			
	1000	1500	1800	>1800
C03-C08	All	All	All	Consult application engineering
C09	18:1	18:1	25:1	
C10	18:1	40:1	63:1	

Base Mounted Units

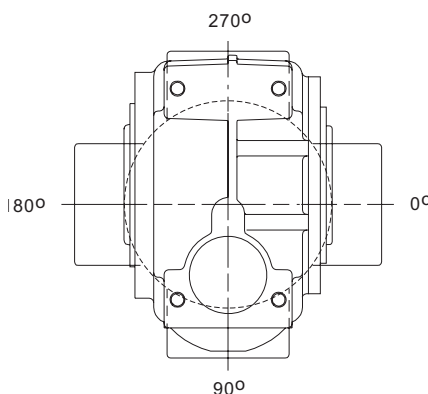


Flange Mounted Units

Mounting Positions- Shown as Motorised - Applies also for Reducers

COLUMN 14 ENTRY

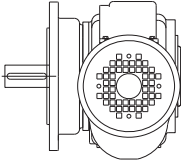
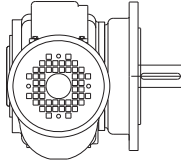
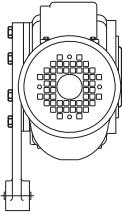
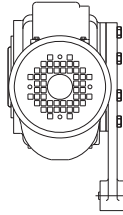
All motors

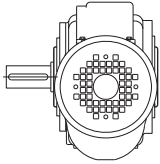
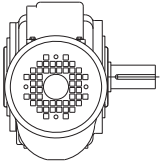
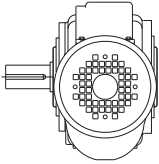
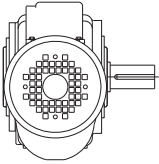
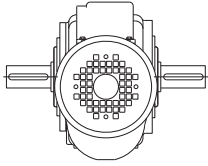
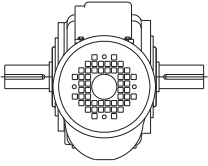
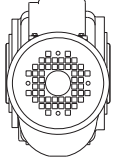
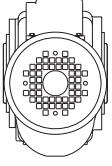


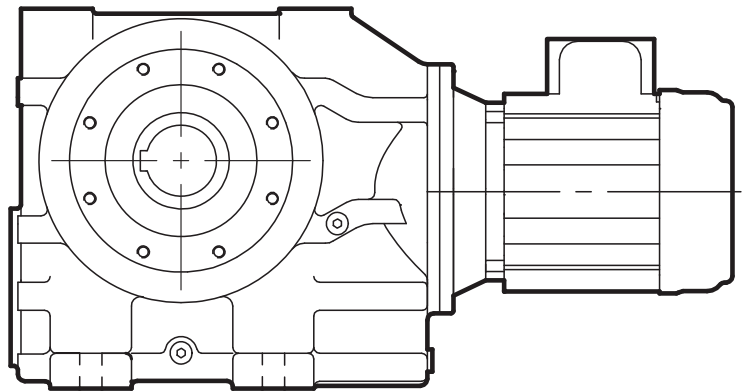
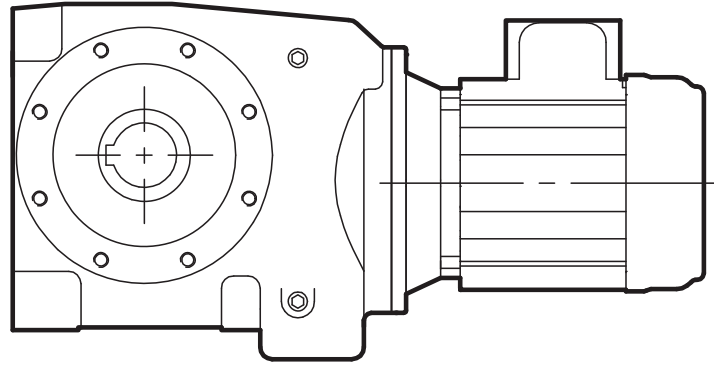
Column 14 entry	Terminal box position
A	0°
B	90°
C	180°
D	270°
-	Reducer or no motor fitted

SERIES C

UNIT HANDINGS

Column 9 entry	Left	Right
Std unit with foutput flange	F 	H 
Std unit with Torque bracket	T 	Q 

Column entry 11	Metric		Inch	
	Left	Right	Left	Right
Single output shaft	C 	E 	N 	B 
Double output shaft	D 		P 	
Hollow shaft	H 		A 	



MOTORISED
SERIES C

SERIES C

MOTOR PERFORMANCE DATA

TEFC Squirrel Cage 3 Phase Motors
4 poles = 1500 rpm 400V, 50Hz, S1
IP55, Class F
IE2 Efficiency Class

P (kW)	Frame Size	n RPM	I (A)	Ist / I	Tst / T	J (kgm ²)
0.12	63	1360	0.6	2.6	2.5	0.0004
0.18	63	1370	0.72	3.0	2.2	0.0005
0.25	71	1370	0.65	3.5	2.0	0.0007
0.37	71	1380	0.88	4.0	2.1	0.0009
0.55	80	1420	1.45	5.0	2.0	0.0015
0.75	80	1420	1.8	5.3	2.7	0.0020
1.1	90S	1430	2.4	6.2	2.7	0.0045
1.5	90L	1430	3.3	6.3	2.7	0.0053
2.2	100L	1450	4.7	6.4	2.9	0.0085
3.0	100L	1450	6.3	7.7	2.9	0.0110
4.0	112M	1450	8.2	7.0	2.9	0.0125
5.5	132S	1450	11.1	5.9	2.0	0.033
7.5	132M	1450	14.8	5.6	2.0	0.036
11	160M	1460	21	6.7	2.2	0.081
15	160L	1460	28.5	7.1	2.6	0.099
18.5	180M	1470	35	7.2	2.6	0.166
22	180L	1470	41	7.3	2.6	0.195
30	200L	1470	56	6.7	2.2	0.31
37	225S	1470	68	7.1	2.6	0.36
45	225M	1480	83	7.5	2.7	0.44
55	250M	1480	98	7.5	2.6	0.77
75	280S	1480	134	6.8	2.5	1.25
90.0	280M	1480	160	7.1	2.5	1.50
110	315S	1480	195	7.7	2.4	2.30
132	315M	1480	232	7.2	2.4	2.60
160	315L	1480	284	7.2	2.4	2.90

TEFC Squirrel Cage 3 Phase Motors
6 poles = 1000 rpm 400V, 50Hz, S1
IP55, Class F
IE2 Efficiency Class

P (kW)	Frame Size	n RPM	I (A)	Ist / I	Tst / T	J (kgm ²)
0.12	63	900	0.57	2.1	2.1	0.0007
0.18	71	900	0.6	3.1	2	0.0009
0.25	71	920	0.77	3.4	2.1	0.0011
0.37	80	920	1.09	3.6	2.2	0.0019
0.55	80	920	1.51	3.8	1.8	0.0024
0.75	90S	930	2.36	4.5	1.8	0.005
1.1	90L	930	3	4	2.3	0.006
1.5	100L	940	3.8	4	1.9	0.009
2.2	112M	940	5.5	4.5	1.7	0.0125
3	132S	960	8	5.5	1.8	0.033
4	132M	960	10	4.6	1.7	0.038
5.5	132M	960	12.9	5.1	2	0.045
7.5	160M	970	15.4	7.4	1.7	0.087
11	160L	970	23	7.5	1.9	0.114
15	180L	970	31	6.5	1.8	0.192
18.5	200L	980	36	6.7	2.2	0.380
22	200L	980	43	6.6	2.2	0.440
30	225M	985	56	7	2.6	0.660
37	250M	985	69	6.8	2.7	1.16
45	280S	985	85	7	2.5	1.85
55	280M	985	100	7	2.7	2.20
75	315S	985	139	7.4	2.4	3.20
90	315M	985	163	7.5	2.4	4.10
110	315L	985	201	7.4	2.5	4.90
132	315L	985	240	7.5	2.7	5.60

Key

I = Nominal current Ist/I = Starting current factor Tst/T = Starting torque factor J = Motor moment of inertia
P = Rated output power n = Motor speed T = Rated output torque

Recalculation Factors Fv

Recalculation factors for current at rated voltages other than 400V, 50 Hz.

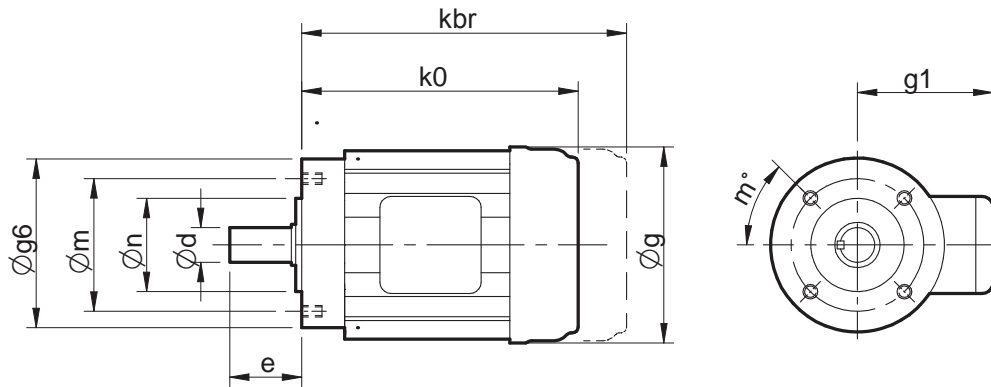
50 Hz	Fv
220V	1.82
230V	1.74
415V	0.96
500V	0.80
660V	0.61
690V	0.58

60 Hz Operation

Motors wound for a certain voltage at 50 Hz can be operated at 60 Hz, without any modifications, subject to the following changes in their data

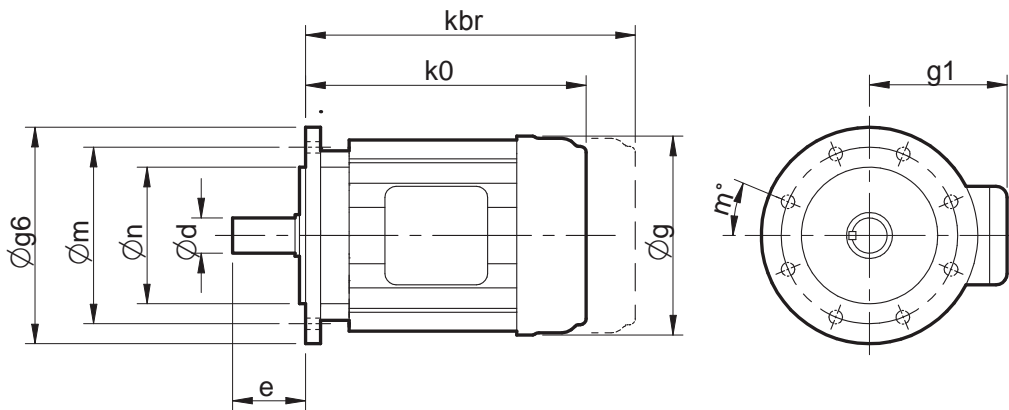
60 Hz	P (kW)	n RPM	I (A)	Ist (I)	T (Nm)	Tst (T)
380V	100%	120%	100%	80%	83%	66%
400V	100%	120%	98%	83%	83%	70%
415V	105%	120%	100%	8%8	86%	78%
440V	110%	120%	100%	95%	91%	85%
460V	115%	120%	100%	100%	96%	95%
480V	120%	120%	100%	105%	100%	100%

B14 'C' face



Size	$\varnothing g6$	$\varnothing m$	$\varnothing n$	$\varnothing d$	e	$k0$	kbr	$\varnothing g$	$g1$	m	$\varnothing s$
71	105	85	70	14	30	220	270	140	105	45 deg	4xM6
80	120	100	80	19	40	240	290	158	122	45 deg	4xM6
90S	140	115	95	24	50	260	310	180	129	45 deg	4xM8
90L	140	115	95	24	50	280	330	180	129	45 deg	4xM8
100L	160	130	110	28	60	310	375	198	152	45 deg	4xM8
112M	160	130	110	28	60	330	405	222	165	45 deg	4xM8
132S	200	165	130	38	80	380	475	260	185	45 deg	4xM10
132M	200	165	130	38	80	420	505	260	185	45 deg	4xM10

B5 'D' face



Size	$\varnothing g6$	$\varnothing m$	$\varnothing n$	$\varnothing d$	e	$k0$	kbr	$\varnothing g$	$g1$	m	$\varnothing s$
63	140	115	95	11	23	195	260	125	100	45 deg	4xM8
71	160	130	110	14	30	220	270	140	105	45 deg	4xM8
80	200	165	130	19	40	240	290	158	122	45 deg	4xM10
90S	200	165	130	24	50	260	310	180	129	45 deg	4xM10
90L	200	165	130	24	50	280	330	180	129	45 deg	4xM10
100L	250	215	180	28	60	310	375	198	152	45 deg	4xM12
112M	250	215	180	28	60	330	405	222	165	45 deg	4xM12
132S	300	265	230	38	80	380	475	260	185	45 deg	4xM12
132M	300	265	230	38	80	420	505	260	185	45 deg	4xM12
160M	350	300	250	42	110	480	565	320	264	45 deg	4xM16
160L	350	300	250	42	110	530	615	320	264	45 deg	4xM16
180M	350	300	250	48	110	560	-	360	279	45 deg	4xM16
180L	350	300	250	48	110	595	-	360	279	45 deg	4xM16
200L	400	350	300	55	110	660	-	400	317	45 deg	4xM16
225S	450	400	350	60	140	680	-	450	385	22.5 deg	8xM16
225M	450	400	350	60	140	715	-	450	385	22.5 deg	8xM16
250M	550	500	450	65	140	770	-	500	405	22.5 deg	8xM16
280S	550	500	450	75	140	850	-	560	480	22.5 deg	8xM16
280M	550	500	450	75	140	930	-	560	480	22.5 deg	8xM16
315S	660	600	550	80	170	1100	-	630	530	22.5 deg	8xM20
315M	660	600	550	80	170	1260	-	630	530	22.5 deg	8xM20
315L	660	600	550	80	170	1400	-	630	530	22.5 deg	8xM20

ADDITIONAL MOTOR FEATURES

Additional Motor Features- Column 19 Entry

Column 19 Entry	Brake Motor	Hand Release on Brake	Forced Ventilation/ Constant Blower (TECB)	Thermistors	Special
-					
A	•				
B	•	•			
C			•		
D	•		•		
E	•	•	•		
F				•	
G	•			•	
H	•	•		•	
K			•	•	
L	•		•	•	
M	•	•	•	•	
S					•

Please refer to Application Engineering for details of the following additional motor features

- PGF encoder flange
- Wash down
- Customised brake torque
- Separate brake supply
- Aluminium fan
- Anti Condensation heater
- Bi-metal temperature detectors, Thermostat
- EExEII T3
- Ex nA II T3
- IP56
- IP65
- Metal fan cover
- Rain cowl
- Separate terminal box

ADDITIONAL GEARBOX FEATURES

Additional motor features- Column 20 entry

Colum 20 entry	Double Oil Seals on Output Shaft	Oil Level Glass C07- C10	* Motorised Backstop		Special
			CW Rotation	CCW Rotation	
-					
A	•				
B		•			
C	•	•			
D			•		
E	•		•		
F		•	•		
G	•	•	•		
H				•	
I	•			•	
J		•		•	
K	•	•		•	
L					•

Please refer to our Application Engineers for details of the following additional gearbox features

- Prime paint only
- Wash down
- BISSC compatible
- Special oil (food compatible, bio-degradable, different viscosities etc)

* IEC B5 frame sizes 100 - 200 and NEMA frame sizes 182TC -326TC

SERIES C SELECTION TABLE GEARED MOTORS

0.12 kW
4 POLE

N2 RPM	i	M2 Nm	Fm	N	Unit Designation	kg	
Output Speed	Ratio	Output Torque	Service Factor	Overhung Load	Column Entry 1 - 20 Spaces to be filled when entering order	Weight of Base Mount unit	Motor Size
158	8.59	6	13.44	2860	C 0 3 2 1 8 . 0 _ M _ _ _ . 1 2 A - -	14.5	63
117	11.61	8	10.86	2860	1 1 .		
103	13.20	9	9.93	2860	1 2 .		
91	14.95	10	9.07	2860	1 4 .		
83	16.36	10	8.68	2860	1 6 .		
71	19.12	13	7.61	2860	1 8 .		
66	20.61	14	7.21	2860	2 0 .		
62	22.11	13	7.10	2860	2 2 .		
54	25.14	15	6.50	2860	2 5 .		
48	28.48	16	5.98	2860	2 8 .		
40	33.71	22	5.03	2850	3 2 .		
37	36.43	21	5.04	2850	3 6 .		
35	39.26	22	4.80	2850	4 0 .		
30	45.50	30	4.05	2850	4 5 .		
26	53.31	35	3.63	2840	5 0 .		
24	56.19	32	3.74	2850	5 6 .		
21	64.21	36	3.42	2840	6 3 .		
18	74.55	48	2.98	2840	7 1 .		
16	82.83	53	2.76	2830	8 0 .		
16	86.67	48	2.89	2840	9 0 .		
13	101.54	55	2.57	2830	1 0 0		
12	114.33	72	1.78	2820	1 1 2		
10	129.94	82	1.54	2820	1 2 5		
10	142.00	75	1.96	2820	1 4 0		
8.6	157.78	83	1.78	2820	1 6 0		
6.2	217.78	113	1.31	2800	2 1 2		
5.5	247.50	127	1.16	2800	2 5 0		
13.0	105.36	65	2.26	2830	C 0 3 3 1 1 0 0 _ M _ _ _ . 1 2 A - -	17.5	63
11	120.39	75	1.99	2820	1 1 8		
10	130.10	68	2.16	2830	1 3 2		
10	140.21	73	2.03	2820	1 5 0		
8.4	162.50	100	1.49	2810	1 6 0		
7.1	190.38	116	1.27	2800	1 8 0		
6.8	200.68	103	1.45	2810	2 0 0		
5.9	229.32	116	1.27	2800	2 2 5		
5.1	266.25	161	0.92	2780	2 6 5		
4.6	295.83	178	0.84	2770	2 8 0		
4.4	309.52	154	0.96	2780	3 1 5		
3.8	362.64	179	0.83	2770	3 6 0		
16	82.83	53	3.56	5290	C 0 4 2 1 8 0 . _ M _ _ _ . 1 2 A - -	16.5	63
12	114.33	72	1.78	5290	1 1 2		
10	129.94	83	1.54	5290	1 2 5		
10	142.00	77	3.25	5290	1 4 0		
8.6	157.78	85	3.01	5290	1 6 0		
6.2	217.78	115	1.78	5290	2 1 2		
5.5	247.50	130	1.54	5280	2 5 0		
13	105.36	67	3.04	5290	C 0 4 3 1 1 0 0 _ M _ _ _ . 1 2 A - -	20.5	63
11	120.39	76	2.66	5290	1 1 8		
10	130.10	70	3.40	5290	1 3 2		
10	140.21	75	3.25	5290	1 5 0		
8.4	162.50	102	1.97	5290	1 6 0		
7.1	190.38	118	1.69	5290	1 8 0		
6.8	200.68	105	2.61	5290	2 0 0		
5.9	229.32	120	2.31	5290	2 2 5		
5.1	266.25	164	1.20	5270	2 6 5		
4.6	295.83	181	1.09	5270	2 8 0		
4.4	309.52	159	1.74	5280	3 1 5		
3.8	362.64	185	1.50	5270	3 6 0		
2.7	507.14	254	1.09	5240	5 0 0		
5.7	240.00	131	3.67	7440	C 0 5 2 1 2 5 0 _ M _ _ _ . 1 2 A - -	18.5	63
8.5	160.26	103	3.82	7440	C 0 5 3 1 1 6 0 _ M _ _ _ . 1 2 A - -	21.5	63
7.2	187.76	120	3.27	7440	1 8 0		
5.9	229.81	125	3.85	7440	2 2 5		
5.2	262.58	165	2.34	7440	2 6 5		
4.7	291.75	183	2.11	7440	2 8 0		
4.4	310.18	165	2.91	7440	3 1 5		
3.7	363.40	192	2.50	7440	3 6 0		
3.4	402.70	251	1.53	7440	4 0 0		
3.0	457.66	285	1.34	7440	4 5 0		
2.7	508.21	264	1.82	7440	5 0 0		
2.4	564.68	292	1.65	7440	5 6 0		
1.7	779.42	397	1.21	7430	8 0 0		
1.5	885.79	450	1.07	7420	9 0 0		
4.5	299.67	200	3.83	11800	C 0 6 3 1 2 8 0 _ M _ _ _ . 1 2 A - -	37.5	63
3.8	357.32	200	3.83	11900	3 6 0		
3.4	395.39	262	2.92	11800	4 0 0		
3.0	449.50	296	2.59	11800	4 5 0		
2.6	514.75	281	2.72	11800	5 0 0		
2.3	580.00	315	2.43	11800	5 6 0		
1.8	765.28	410	1.87	11700	8 0 0		
1.6	870.00	462	1.66	11700	9 0 0		

NOTE:
Other output speeds are available using 2 & 8 pole motors. Please contact our Application Engineers

SERIES C SELECTION TABLE GEARED MOTORS

0.12 kW

4 POLE

N2 RPM	i	M2 Nm	Fm	N	Unit Designation	kg	
Output Speed	Ratio	Output Torque	Service Factor	Overhung Load	Column Entry 1 - 20 Spaces to be filled when entering order	Weight of Base Mount unit	Motor Size
1.3	1021.77	655	1.17	11402	C 0 6 4 1 1 0 C _ M _ _ _ . 1 2 A _ _	50.5	63
1.2	1110.85	711	1.08	11402	1 1 C		
1.0	1299.84	815	0.94	11402	1 2 C		
0.91	1495.14	937	0.82	11402	1 4 C		
2.7	499.88	321	3.95	29200	C 0 7 3 1 5 0 0 _ M _ _ _ . 1 2 A _ _	84.5	63
2.5	547.35	350	3.62	29200	5 6 0		
1.8	747.66	471	2.67	29200	8 0 0		
1.6	838.50	526	2.39	29200	9 0 0		
1.3	1009.20	679	1.97	28931	C 0 7 4 1 1 0 C _ M _ _ _ . 1 2 A _ _	88.5	63
1.2	1097.19	738	1.82	28931	1 1 C		
1.1	1213.28	806	1.66	28931	1 2 C		
0.97	1395.57	926	1.45	28931	1 4 C		
0.90	1517.24	1006	1.33	28931	1 6 C		
0.82	1661.54	1097	1.22	28931	1 8 C		
0.68	1994.66	1314	1.02	28931	2 0 C		
0.62	2185.71	1441	0.93	28931	2 2 C		
0.55	2462.77	1619	0.83	28931	2 5 C		
1.3	1083.79	737	3.86	41656	C 0 8 4 1 1 1 C _ M _ _ _ . 1 2 A _ _	141.5	63
1.1	1191.45	812	3.34	41656	1 2 C		
0.97	1404.96	954	2.84	41656	1 4 C		
0.89	1532.14	1030	3.18	41545	1 6 C		
0.72	1901.25	1276	2.57	41545	1 8 C		
0.65	2088.45	1396	2.40	41545	2 0 C		
0.61	2241.96	1501	2.18	41545	2 2 C		
0.55	2462.71	1643	2.04	41545	2 5 C		
0.50	2696.62	1797	1.87	41545	2 8 C		
0.41	3304.80	2194	1.53	41545	3 2 C		
0.36	3760.71	2492	1.31	41545	3 6 C		
0.71	1908.45	1307	3.77	53383	C 0 9 4 1 1 8 C _ M _ _ _ . 1 2 A _ _	209.5	63
0.65	2106.88	1440	3.44	53383	2 0 C		
0.60	2250.46	1538	3.20	53383	2 2 C		
0.55	2484.44	1694	2.92	53383	2 5 C		
0.50	2720.42	1852	2.67	53383	2 8 C		
0.41	3333.96	2262	2.19	53383	3 2 C		
0.36	3774.96	2554	1.93	53383	3 6 C		
101	8.59	9	9.52	2860	C 0 3 2 1 8 . 0 _ M _ _ _ . 1 2 C _ _	14.5	63
75	11.61	12	7.78	2860	1 1 .		
66	13.20	14	7.04	2860	1 2 .		
58	14.95	15	6.45	2860	1 4 .		
53	16.36	15	6.26	2860	1 6 .		
45	19.12	20	5.38	2850	1 8 .		
42	20.61	21	5.11	2850	2 0 .		
39	22.11	20	5.11	2850	2 2 .		
35	25.14	22	4.67	2850	2 5 .		
31	28.48	25	4.29	2850	2 8 .		
26	33.71	34	3.59	2850	3 2 .		
24	36.43	32	3.61	2850	3 6 .		
22	39.26	34	3.43	2850	4 0 .		
19	45.50	46	2.98	2840	4 5 .		
16	53.31	53	2.70	2830	5 0 .		
15	56.19	49	2.67	2840	5 6 .		
14	64.21	55	2.44	2830	6 3 .		
12	74.55	74	2.01	2820	7 1 .		
11	82.83	81	1.82	2820	8 0 .		
10	86.67	73	2.04	2830	9 0 .		
8.6	101.54	84	1.76	2820	1 0 0		
7.6	114.33	112	1.14	2800	1 1 2		
6.7	129.94	126	0.99	2800	1 2 5		
6.1	142.00	116	1.28	2800	1 4 0		
5.5	157.78	128	1.16	2800	1 6 0		
4.0	217.78	174	0.85	2770	2 1 2		
8.3	105.36	102	1.46	2810	C 0 3 3 1 1 0 0 _ M _ _ _ . 1 2 C _ _	17.5	63
7.2	120.39	116	1.28	2800	1 1 8		
6.7	130.10	104	1.42	2810	1 3 2		
6.2	140.21	112	1.32	2800	1 5 0		
5.4	162.50	155	0.96	2780	1 6 0		
4.6	190.38	181	0.82	2770	1 8 0		
4.3	200.68	157	0.94	2780	2 0 0		
3.8	229.32	179	0.83	2770	2 2 5		
16	53.31	54	3.78	5290	C 0 4 2 1 5 0 . _ M _ _ _ . 1 2 C _ _	16.5	63
14	64.21	56	3.90	5290	6 3 .		
12	74.55	74	2.71	5290	7 1 .		

NOTE:

Other output speeds are available using 2 & 8 pole motors. Please contact our Application Engineers

SERIES C SELECTION TABLE GEARED MOTORS

012.kW
6 POLE

N2 RPM	i	M2 Nm	Fm	N	Unit Designation	kg	
Output Speed	Ratio	Output Torque	Service Factor	Overhung Load	Column Entry 1 - 20 Spaces to be filled when entering order	Weight of Base Mount unit	Motor Size
11	82.83	82	2.28	5290	C 0 4 2 1 8 0 . _ M _ _ _ . 1 2 C - -	16.5	63
10	86.67	74	3.31	5290	9 0 .		
8.6	101.54	86	2.95	5290	1 0 0		
7.6	114.33	113	1.14	5290	1 1 2		
6.7	129.94	127	0.99	5280	1 2 5		
6.1	142.00	118	2.35	5290	1 4 0		
5.5	157.78	130	2.13	5280	1 6 0		
4.0	217.78	176	1.14	5270	2 1 2		
3.5	247.50	198	0.99	5260	2 5 0		
8.3	105.36	103	1.94	5290	C 0 4 3 1 1 0 0 _ M _ _ _ . 1 2 C - -	20.5	63
7.2	120.39	117	1.70	5290	1 1 8		
6.7	130.10	107	2.55	5290	1 3 2		
6.2	140.21	115	2.40	5290	1 5 0		
5.4	162.50	156	1.26	5280	1 6 0		
4.6	190.38	182	1.08	5270	1 8 0		
4.3	200.68	162	1.71	5280	2 0 0		
3.8	229.32	184	1.51	5270	2 2 5		
2.8	309.52	243	1.14	5250	3 1 5		
2.4	362.64	283	0.98	5240	3 6 0		
8.0	109.07	111	3.49	7440	C 0 5 2 1 1 1 2 _ M _ _ _ . 1 2 C - -	18.5	63
7.0	124.00	125	3.04	7440	1 2 5		
6.1	142.00	122	3.93	7440	1 4 0		
5.4	160.00	136	3.52	7440	1 6 0		
4.1	211.11	178	2.70	7440	2 1 2		
3.6	240.00	200	2.40	7440	2 5 0		
8.4	103.90	105	3.76	7440	C 0 5 3 1 1 0 0 _ M _ _ _ . 1 2 C - -	21.5	63
7.3	118.73	119	3.29	7440	1 1 8		
5.4	160.26	159	2.45	7440	1 6 0		
4.6	187.76	186	2.08	7440	1 8 0		
4.3	201.10	168	2.85	7440	2 0 0		
3.8	229.81	191	2.51	7440	2 2 5		
3.3	262.58	257	1.50	7440	2 6 5		
3.0	291.75	284	1.35	7440	2 8 0		
2.8	310.18	254	1.90	7440	3 1 5		
2.4	363.40	295	1.63	7440	3 6 0		
2.2	402.70	391	0.97	7430	4 0 0		
1.9	457.66	441	0.86	7420	4 5 0		
1.7	508.21	406	1.19	7430	5 0 0		
1.5	564.68	449	1.07	7420	5 6 0		
7.0	124.00	132	3.95	11900	C 0 6 2 1 1 2 5 _ M _ _ _ . 1 2 C - -	32.5	63
3.6	240.00	211	3.62	11900	2 5 0		
4.7	184.62	193	3.95	11900	C 0 6 3 1 1 8 0 _ M _ _ _ . 1 2 C - -	37.5	63
3.3	265.95	275	2.78	11800	2 6 5		
2.9	299.67	309	2.48	11800	2 8 0		
2.6	328.67	282	2.71	11800	3 1 5		
2.4	357.32	305	2.51	11800	3 6 0		
2.2	395.39	405	1.89	11700	4 0 0		
1.9	449.50	458	1.67	11700	4 5 0		
1.7	514.75	431	1.77	11700	5 0 0		
1.5	580.00	482	1.59	11700	5 6 0		
1.1	765.28	629	1.22	11600	8 0 0		
1.0	870.00	709	1.08	11500	9 0 0		
2.7	319.95	323	3.93	29200	C 0 7 3 1 3 1 5 _ M _ _ _ . 1 2 C - -	84.5	63
2.5	341.61	344	3.69	29200	3 6 0		
2.3	373.83	400	3.35	29200	4 0 0		
2.1	419.25	446	3.00	29200	4 5 0		
1.7	499.88	495	2.55	29200	5 0 0		
1.6	547.35	539	2.33	29200	5 6 0		
1.2	747.66	731	1.72	29200	8 0 0		
1.0	838.50	817	1.54	29200	9 0 0		
0.86	1009.20	1059	1.27	28931	C 0 7 4 1 1 0 C _ M _ _ _ . 1 2 C - -	88.5	63
0.79	1097.19	1150	1.17	28931	1 1 C		
0.72	1213.28	1260	1.06	28931	1 2 C		
0.62	1395.57	1446	0.93	28931	1 4 C		
0.57	1517.24	1570	0.85	28931	1 6 C		
1.4	636.31	682	3.98	41656	C 0 8 4 1 6 3 0 _ M _ _ _ . 1 2 C - -	141.5	63
1.2	711.92	761	3.57	41656	7 1 0		
1.1	758.79	812	3.34	41656	8 0 0		
0.97	899.27	959	2.83	41656	9 0 0		
0.91	960.14	1023	2.65	41656	1 0 C		
0.80	1083.79	1151	2.47	41656	1 1 C		
0.73	1191.45	1264	2.15	41656	1 2 C		
0.62	1404.96	1484	1.83	41656	1 4 C		
0.57	1532.14	1610	2.03	41545	1 6 C		
0.46	1901.25	1991	1.64	41545	1 8 C		
0.42	2088.45	2180	1.54	41545	2 0 C		
0.39	2241.96	2340	1.40	41545	2 2 C		
0.35	2462.71	2563	1.31	41545	2 5 C		
0.32	2696.62	2801	1.20	41545	2 8 C		
0.26	3304.80	3414	0.98	41545	3 2 C		

NOTE:
Other output speeds are available using 2 & 8 pole motors. Please contact our Application Engineers

SERIES C SELECTION TABLE GEARED MOTORS

012.kW
6 POLE

0.18 kW
4 POLE

N2 RPM	i	M2 Nm	Fm	N	Unit Designation	kg			
Output Speed	Ratio	Output Torque	Service Factor	Overhung Load	Column Entry 1 - 20 Spaces to be filled when entering order	Weight of Base Mount unit	Motor Size		
0.23	3760.71	3866	0.85	41545	C 0 8 4 1 3 6 C _ M _ _ _ _ . 1 2 C - -	141.5	63		
0.72	1216.09	1319	3.62	53383	C 0 9 4 1 1 2 C _ M _ _ _ _ . 1 2 C - -	209.5	63		
0.61	1434.02	1549	3.09	53383	1 4 C				
0.57	1537.95	1649	2.99	53383	1 6 C				
0.46	1908.45	2039	2.41	53383	1 8 C				
0.41	2106.88	2247	2.20	53383	2 0 C				
0.39	2250.46	2397	2.05	53383	2 2 C				
0.35	2484.44	2641	1.88	53383	2 5 C				
0.32	2720.42	2886	1.72	53383	2 8 C				
0.26	3333.96	3518	1.41	53383	3 2 C				
0.23	3774.96	3963	1.24	53383	3 6 C				
159	8.59	8	9.03	2858	C 0 3 2 1 8 . 0 _ M _ _ _ _ . 1 8 A - -	14.5	63		
118	11.61	12	7.30	2857	1 1 .				
104	13.20	13	6.67	2857	1 2 .				
92	14.95	15	6.09	2857	1 4 .				
84	16.36	14	5.83	2856	1 6 .				
72	19.12	19	5.11	2856	1 8 .				
66	20.61	20	4.84	2856	2 0 .				
62	22.11	19	4.77	2856	2 2 .				
54	25.14	22	4.36	2855	2 5 .				
48	28.48	25	4.02	2855	2 8 .				
41	33.71	33	3.38	2844	3 2 .				
38	36.43	31	3.39	2844	3 6 .				
35	39.26	34	3.22	2844	4 0 .				
30	45.50	44	2.72	2841	4 5 .				
26	53.31	52	2.44	2831	5 0 .				
24	56.19	47	2.51	2841	5 6 .				
21	64.21	54	2.29	2830	6 3 .				
18	74.55	71	2.00	2825	7 1 .				
17	82.83	79	1.85	2818	8 0 .				
16	86.67	71	1.94	2825	9 0 .				
13	101.54	82	1.73	2816	1 0 0				
12	114.33	107	1.20	2801	1 1 2				
11	129.94	122	1.03	2796	1 2 5				
10	142.00	113	1.32	2801	1 4 0				
8.7	157.78	124	1.20	2796	1 6 0				
6.3	217.78	168	0.88	2770	2 1 2				
13	105.36	98	1.52	2810	C 0 3 3 1 1 0 0 _ M _ _ _ _ . 1 8 A - -	17.5	63		
11	120.39	111	1.33	2801	1 1 8				
11	130.10	102	1.45	2811	1 3 2				
10	140.21	109	1.36	2801	1 5 0				
8.4	162.50	149	1.00	2782	1 6 0				
7.2	190.38	174	0.86	2770	1 8 0				
6.8	200.68	153	0.97	2780	2 0 0				
6.0	229.32	174	0.86	2770	2 2 5				
26	53.31	52	3.97	5286	C 0 4 2 1 5 0 . _ M _ _ _ _ . 1 8 A - -			16.5	63
21	64.21	55	3.67	5286	6 3 .				
18	74.55	72	2.84	5284	7 1 .				
17	82.83	80	2.39	5284	8 0 .				
16	86.67	73	3.11	5287	9 0 .				
13	101.54	84	2.77	5285	1 0 0				
12	114.33	108	1.20	5280	1 1 2				
11	129.94	123	1.03	5278	1 2 5				
10	142.00	115	2.18	5280	1 4 0				
8.7	157.78	127	2.02	5278	1 6 0				
6.3	217.78	172	1.20	5271	2 1 2				
5.5	247.50	194	1.03	5261	2 5 0				
13	105.36	99	2.04	5281	C 0 4 3 1 1 0 0 _ M _ _ _ _ . 1 8 A - -	20.5	63		
11	120.39	113	1.78	5280	1 1 8				
11	130.10	104	2.28	5281	1 3 2				
10	140.21	112	2.18	5280	1 5 0				
8.4	162.50	151	1.32	5275	1 6 0				
7.2	190.38	176	1.13	5270	1 8 0				
6.8	200.68	157	1.75	5275	2 0 0				
6.0	229.32	178	1.55	5271	2 2 5				
5.1	266.25	244	0.81	5246	2 6 5				
4.4	309.52	237	1.17	5250	3 1 5				
3.8	362.64	275	1.01	5240	3 6 0				
13	109.07	107	3.66	7438	C 0 5 2 1 1 1 2 _ M _ _ _ _ . 1 8 A - -	18.5	63		
11	124.00	121	3.19	7438	1 2 5				
8.6	160.00	133	3.61	7436	1 6 0				
6.5	211.11	173	2.78	7433	2 1 2				
5.7	240.00	195	2.47	7437	2 5 0				

NOTE:
Other output speeds are available using 2 & 8 pole motors. Please contact our Application Engineers

SERIES C SELECTION TABLE GEARED MOTORS

0.18 kW
4 POLE

N2 RPM	i	M2 Nm	Fm	N	Unit Designation	kg	
Output Speed	Ratio	Output Torque	Service Factor	Overhung Load	Column Entry 1 - 20 Spaces to be filled when entering order	Weight of Base Mount unit	Motor Size
13	103.90	101	3.95	7436	C 0 5 3 1 1 0 0 _ M _ _ _ _ . 1 8 A - -	21.5	63
12	118.73	115	3.46	7435	1 1 8		
8.5	160.26	153	2.57	7434	1 6 0		
7.3	187.76	179	2.19	7434	1 8 0		
6.8	201.10	163	2.94	7435	2 0 0		
6.0	229.81	186	2.59	7434	2 2 5		
5.2	262.58	247	1.57	7432	2 6 5		
4.7	291.75	273	1.42	7430	2 8 0		
4.4	310.18	246	1.95	7432	3 1 5		
3.8	363.40	286	1.68	7428	3 6 0		
3.4	402.70	374	1.03	7421	4 0 0		
3.0	457.66	425	0.90	7416	4 5 0		
2.7	508.21	394	1.22	7421	5 0 0		
2.4	564.68	435	1.11	7420	5 6 0		
1.8	779.42	592	0.81	7390	8 0 0		
5.7	240.00	206	3.71	11852	C 0 6 2 1 2 5 0 _ M _ _ _ _ . 1 8 A - -	32.5	63
5.2	265.95	265	2.89	11830	C 0 6 3 1 2 6 5 _ M _ _ _ _ . 1 8 A - -	37.5	63
4.6	299.67	297	2.57	11728	2 8 0		
4.2	328.67	275	2.78	11828	3 1 5		
3.8	357.32	297	2.57	11828	3 6 0		
3.5	395.39	390	1.96	11704	4 0 0		
3.0	449.50	440	1.74	11661	4 5 0		
2.7	514.75	419	1.83	11707	5 0 0		
2.4	580.00	469	1.63	11707	5 6 0		
1.8	765.28	610	1.25	11600	8 0 0		
1.6	870.00	688	1.11	11500	9 0 0		
4.0	341.61	330	3.84	28143	C 0 7 3 1 3 6 0 _ M _ _ _ _ . 1 8 A - -	84.5	63
3.7	373.83	384	3.49	27930	4 0 0		
3.3	419.25	429	3.12	29161	4 5 0		
2.7	499.88	479	2.65	29152	5 0 0		
2.5	547.35	522	2.43	29152	5 6 0		
1.8	747.66	701	1.80	29130	8 0 0		
1.6	838.50	784	1.61	29116	9 0 0		
1.4	1009.20	1012	1.33	28931	C 0 7 4 1 1 0 0 C _ M _ _ _ _ . 1 8 A - -	88.5	63
1.2	1097.19	1099	1.22	28931	1 1 C		
1.1	1213.28	1201	1.12	28931	1 2 C		
0.98	1395.57	1379	0.97	28931	1 4 C		
0.90	1517.24	1498	0.90	28931	1 6 C		
0.82	1661.54	1634	0.82	28931	1 8 C		
1.9	711.92	726	3.74	41656	C 0 8 4 1 7 1 0 _ M _ _ _ _ . 1 8 A - -	141.5	63
1.8	758.79	774	3.51	41656	8 0 0		
1.5	899.27	916	2.96	41656	9 0 0		
1.4	960.14	977	2.78	41656	1 0 C		
1.3	1083.79	1098	2.59	41656	1 1 C		
1.1	1191.45	1209	2.25	41656	1 2 C		
0.98	1404.96	1421	1.91	41656	1 4 C		
0.89	1532.14	1534	2.14	41545	1 6 C		
0.72	1901.25	1900	1.72	41545	1 8 C		
0.66	2088.45	2079	1.61	41545	2 0 C		
0.61	2241.96	2236	1.47	41545	2 2 C		
0.56	2462.71	2447	1.37	41545	2 5 C		
0.51	2696.62	2676	1.25	41545	2 8 C		
0.41	3304.80	3268	1.03	41545	3 2 C		
0.36	3760.71	3711	0.88	41545	3 6 C		
1.1	1216.09	1261	3.79	53383	C 0 9 4 1 1 2 C _ M _ _ _ _ . 1 8 A - -	209.5	63
0.96	1434.02	1483	3.22	53383	1 4 C		
0.89	1537.95	1572	3.13	53383	1 6 C		
0.72	1908.45	1947	2.53	53383	1 8 C		
0.65	2106.88	2144	2.31	53383	2 0 C		
0.61	2250.46	2291	2.15	53383	2 2 C		
0.55	2484.44	2523	1.96	53383	2 5 C		
0.50	2720.42	2759	1.80	53383	2 8 C		
0.41	3333.96	3368	1.47	53383	3 2 C		
0.36	3774.96	3803	1.30	53383	3 6 C		

NOTE:

Other output speeds are available using 2 & 8 pole motors. Please contact our Application Engineers

SERIES C SELECTION TABLE GEARED MOTORS

0.18 kW

6 POLE

N2 RPM	i	M2 Nm	Fm	N	Unit Designation	kg	
Output Speed	Ratio	Output Torque	Service Factor	Overhung Load	Column Entry 1 - 20 Spaces to be filled when entering order	Weight of Base Mount unit	Motor Size
105	8.59	13	6.56	2857	C 0 3 2 1 8 . 0 _ M _ _ _ . 1 8 C - -	15.5	71
78	11.61	17	5.36	2856	1 1 .		
68	13.20	20	4.85	2856	1 2 .		
60	14.95	22	4.45	2855	1 4 .		
55	16.36	22	4.32	2855	1 6 .		
47	19.12	29	3.71	2845	1 8 .		
44	20.61	31	3.52	2844	2 0 .		
41	22.11	29	3.53	2845	2 2 .		
36	25.14	33	3.22	2844	2 5 .		
32	28.48	37	2.96	2843	2 8 .		
27	33.71	50	2.48	2840	3 2 .		
25	36.43	46	2.49	2841	3 6 .		
23	39.26	50	2.36	2840	4 0 .		
20	45.50	67	2.06	2827	4 5 .		
17	53.31	77	1.86	2816	5 0 .		
16	56.19	71	1.84	2827	5 6 .		
14	64.21	80	1.68	2816	6 3 .		
12	74.55	107	1.39	2800	7 1 .		
11	82.83	118	1.26	2798	8 0 .		
10	86.67	105	1.41	2810	9 0 .		
8.9	101.54	122	1.21	2796	1 0 0		
6.3	142.00	168	0.89	2772	1 4 0		
5.7	157.78	185	0.80	2338	1 6 0		
8.5	105.36	148	1.01	2135	C 0 3 3 1 1 0 0 _ M _ _ _ . 1 8 C - -	19.5	71
7.5	120.39	168	0.89	2772	1 1 8		
6.9	130.10	152	0.98	2782	1 3 2		
6.4	140.21	163	0.91	2772	1 5 0		
25	36.43	48	3.97	5286	C 0 4 2 1 3 6 . _ M _ _ _ . 1 8 C - -	18.5	71
23	39.26	51	3.79	5286	4 0 .		
20	45.50	67	3.05	5285	4 5 .		
17	53.31	79	2.60	5284	5 0 .		
16	56.19	72	2.95	5285	5 6 .		
14	64.21	81	2.69	5283	6 3 .		
12	74.55	108	1.87	5281	7 1 .		
11	82.83	120	1.57	5278	8 0 .		
10	86.67	108	2.28	5280	9 0 .		
8.9	101.54	125	2.03	5278	1 0 0		
6.3	142.00	171	1.62	5273	1 4 0		
5.7	157.78	189	1.47	5263	1 6 0		
8.5	105.36	150	1.34	5276	C 0 4 3 1 1 0 0 _ M _ _ _ . 1 8 C - -	21.5	71
7.5	120.39	170	1.17	5273	1 1 8		
6.9	130.10	156	1.76	5274	1 3 2		
6.4	140.21	167	1.66	5273	1 5 0		
5.5	162.50	227	0.87	5256	1 6 0		
4.5	200.68	235	1.18	5256	2 0 0		
3.9	229.32	266	1.04	5242	2 2 5		
12	73.37	109	3.64	7436	C 0 5 2 1 7 1 . _ M _ _ _ . 1 8 C - -	21.5	71
11	82.67	123	3.23	7435	8 0 .		
9.1	98.57	126	3.81	7435	1 0 0		
8.3	109.07	161	2.41	7434	1 1 2		
7.3	124.00	181	2.09	7434	1 2 5		
6.3	142.00	177	2.71	7434	1 4 0		
5.6	160.00	198	2.43	7431	1 6 0		
4.3	211.11	258	1.86	6731	2 1 2		
3.8	240.00	291	1.66	7428	2 5 0		
8.7	103.90	152	2.59	7037	C 0 5 3 1 1 0 0 _ M _ _ _ . 1 8 C - -	25.5	71
7.6	118.73	173	2.27	6984	1 1 8		
6.9	130.38	162	2.96	6984	1 3 2		
6.4	140.51	174	2.77	6984	1 5 0		
5.6	160.26	231	1.69	6731	1 6 0		
4.8	187.76	269	1.44	7427	1 8 0		
4.5	201.10	244	1.97	7430	2 0 0		
3.9	229.81	277	1.73	7427	2 2 5		
3.4	262.58	373	1.03	7420	2 6 5		
3.1	291.75	411	0.93	7418	2 8 0		
2.9	310.18	368	1.31	7423	3 1 5		
2.5	363.40	428	1.12	7094	3 6 0		
1.8	508.21	589	0.82	7393	5 0 0		
7.3	124.00	192	2.72	11852	C 0 6 2 1 1 2 5 _ M _ _ _ . 1 8 C - -	34.5	71
5.7	156.67	206	3.71	11852	1 6 0		
4.2	214.00	275	2.78	11833	2 1 2		
3.8	240.00	307	2.49	11823	2 5 0		
5.3	169.81	259	2.95	11833	C 0 6 3 1 1 6 0 _ M _ _ _ . 1 8 C - -	39.5	71
4.9	184.62	281	2.72	11823	1 8 0		
3.4	265.95	399	1.92	11702	2 6 5		
3.0	299.67	448	1.71	11680	2 8 0		
2.7	328.67	409	1.87	11704	3 1 5		
2.5	357.32	442	1.73	11704	3 6 0		
2.3	395.39	588	1.30	11556	4 0 0		
2.0	449.50	665	1.15	11515	4 5 0		
1.7	514.75	625	1.22	11561	5 0 0		

NOTE:

Other output speeds are available using 2 & 8 pole motors. Please contact our Application Engineers

SERIES C SELECTION TABLE GEARED MOTORS

0.18 kW
6 POLE

N2 RPM	i	M2 Nm	Fm	N	Unit Designation	kg	
Output Speed	Ratio	Output Torque	Service Factor	Overhung Load	Column Entry 1 - 20 Spaces to be filled when entering order	Weight of Base Mount unit	Motor Size
1.6	580.00	700	1.09	11515	C 0 6 3 1 5 6 0 _ M _ _ _ _ . 1 8 C - -	39.5	71
1.2	765.28	913	0.84	11400	8 0 0		
4.0	226.39	334	3.79	29180	C 0 7 3 1 2 2 5 _ M _ _ _ _ . 1 8 C - -	86.5	71
3.6	249.94	392	3.41	29171	2 6 5		
3.3	273.68	428	3.12	29161	2 8 0		
2.8	319.95	468	2.71	29161	3 1 5		
2.6	341.61	499	2.54	29152	3 6 0		
2.4	373.83	580	2.31	29144	4 0 0		
2.1	419.25	648	2.07	29144	4 5 0		
1.8	499.88	717	1.76	29130	5 0 0		
1.6	547.35	782	1.61	29116	5 6 0		
1.2	747.66	1061	1.19	29080	8 0 0		
1.1	838.50	1185	1.06	29056	9 0 0		
0.89	1009.20	1536	0.87	28931	C 0 7 4 1 1 0 C _ M _ _ _ _ . 1 8 C - -	90.5	71
0.82	1097.19	1667	0.80	28931	1 1 C		
1.6	547.09	852	3.19	41656	C 0 8 4 1 5 6 0 _ M _ _ _ _ . 1 8 C - -	143.5	71
1.4	636.31	989	2.74	41656	6 3 0		
1.3	711.92	1104	2.46	41656	7 1 0		
1.2	758.79	1177	2.31	41656	8 0 0		
1.0	899.27	1391	1.95	41656	9 0 0		
0.94	960.14	1484	1.83	41656	1 0 C		
0.83	1083.79	1669	1.70	41656	1 1 C		
0.76	1191.45	1833	1.48	41656	1 2 C		
0.64	1404.96	2152	1.26	41656	1 4 C		
0.59	1532.14	2335	1.40	41545	1 6 C		
0.47	1901.25	2887	1.13	41545	1 8 C		
0.43	2088.45	3162	1.06	41545	2 0 C		
0.40	2241.96	3394	0.97	41545	2 2 C		
0.37	2462.71	3716	0.90	41545	2 5 C		
0.33	2696.62	4061	0.83	41545	2 8 C		
1.2	774.48	1227	3.90	53383	C 0 9 4 1 8 0 0 _ M _ _ _ _ . 1 8 C - -	211.5	71
0.98	917.87	1451	3.29	53383	9 0 0		
0.92	980.00	1547	3.09	53383	1 0 C		
0.83	1088.78	1713	2.81	53383	1 1 C		
0.74	1216.09	1912	2.50	53383	1 2 C		
0.63	1434.02	2246	2.13	53383	1 4 C		
0.59	1537.95	2391	2.06	53383	1 6 C		
0.47	1908.45	2957	1.67	53383	1 8 C		
0.43	2106.88	3258	1.52	53383	2 0 C		
0.40	2250.46	3476	1.42	53383	2 2 C		
0.36	2484.44	3830	1.29	53383	2 5 C		
0.33	2720.42	4185	1.18	53383	2 8 C		
0.27	3333.96	5102	0.97	53383	3 2 C		
0.24	3774.96	5746	0.86	53383	3 6 C		

0.25 kW
4 POLE

163	8.59	12	6.64	2856	C 0 3 2 1 8 . 0 _ M _ _ _ _ . 2 5 A - -	15.5	71
121	11.61	16	5.37	2855	1 1 .		
106	13.20	18	4.90	2854	1 2 .		
94	14.95	20	4.48	2854	1 4 .		
86	16.36	20	4.29	2853	1 6 .		
73	19.12	26	3.76	2852	1 8 .		
68	20.61	28	3.56	2852	2 0 .		
63	22.11	26	3.51	2852	2 2 .		
56	25.14	30	3.21	2849	2 5 .		
49	28.48	34	2.95	2849	2 8 .		
42	33.71	45	2.49	2837	3 2 .		
38	36.43	42	2.49	2837	3 6 .		
36	39.26	46	2.37	2837	4 0 .		
31	45.50	60	2.00	2831	4 5 .		
26	53.31	70	1.79	2821	5 0 .		
25	56.19	64	1.85	2831	5 6 .		
22	64.21	73	1.69	2818	6 3 .		
19	74.55	97	1.47	2808	7 1 .		
17	82.83	107	1.36	2804	8 0 .		
16	86.67	97	1.43	2808	9 0 .		
14	101.54	112	1.27	2800	1 0 0		
12	114.33	146	0.88	2780	1 1 2		
10	142.00	153	0.97	2780	1 4 0		
8.9	157.78	169	0.88	2770	1 6 0		
13	105.36	133	1.12	2788	C 0 3 3 1 1 0 0 _ M _ _ _ _ . 2 5 A - -	19.5	71
12	120.39	151	0.98	2780	1 1 8		
11	130.10	138	1.07	2790	1 3 2		
10	140.21	148	1.00	2780	1 5 0		

NOTE:
Other output speeds are available using 2 & 8 pole motors. Please contact our Application Engineers

SERIES C SELECTION TABLE GEARED MOTORS

0.25 kW
4 POLE

N2 RPM	i	M2 Nm	Fm	N	Unit Designation	kg	
Output Speed	Ratio	Output Torque	Service Factor	Overhung Load	Column Entry 1 - 20 Spaces to be filled when entering order	Weight of Base Mount unit	Motor Size
38	36.43	44	3.98	5286	C 0 4 2 1 3 6 . _ M _ - - - . 2 5 A - -	18.5	71
36	39.26	47	3.78	5286	4 0 .		
31	45.50	61	3.35	5285	4 5 .		
26	53.31	71	2.92	5281	5 0 .		
25	56.19	66	2.96	5283	5 6 .		
22	64.21	74	2.70	5281	6 3 .		
19	74.55	98	2.09	5277	7 1 .		
17	82.83	109	1.76	5277	8 0 .		
16	86.67	99	2.29	5284	9 0 .		
14	101.54	114	2.04	5279	1 0 0		
12	114.33	147	0.88	5269	1 1 2		
10	142.00	156	1.61	5269	1 4 0		
8.9	157.78	172	1.49	5264	1 6 0		
6.4	217.78	233	0.88	5250	2 1 2		
13	105.36	135	1.50	5271	C 0 4 3 1 1 0 0 _ M _ - - - . 2 5 A - -	21.5	71
12	120.39	154	1.31	5268	1 1 8		
11	130.10	142	1.68	5271	1 3 2		
10	140.21	152	1.61	5269	1 5 0		
8.6	162.50	206	0.97	5258	1 6 0		
7.4	190.38	239	0.83	5248	1 8 0		
7.0	200.68	213	1.29	5258	2 0 0		
6.1	229.32	243	1.14	5250	2 2 5		
19	73.37	99	3.83	7437	C 0 5 2 1 7 1 . _ M _ - - - . 2 5 A - -	21.5	71
17	82.67	111	3.45	7436	8 0 .		
13	109.07	145	2.70	7435	1 1 2		
11	124.00	164	2.34	7436	1 2 5		
10	142.00	162	2.97	7436	1 4 0		
8.8	160.00	181	2.65	7431	1 6 0		
6.6	211.11	235	2.04	7425	2 1 2		
5.8	240.00	265	1.82	7434	2 5 0		
13	103.90	137	2.91	7433	C 0 5 3 1 1 0 0 _ M _ - - - . 2 5 A - -	25.5	71
12	118.73	156	2.55	7430	1 1 8		
11	130.38	148	3.25	7432	1 3 2		
10	140.51	159	3.03	7430	1 5 0		
8.7	160.26	209	1.89	7427	1 6 0		
7.5	187.76	243	1.61	7427	1 8 0		
7.0	201.10	222	2.16	7430	2 0 0		
6.1	229.81	253	1.90	7427	2 2 5		
5.3	262.58	335	1.16	7424	2 6 5		
4.8	291.75	372	1.04	7419	2 8 0		
4.5	310.18	335	1.44	7424	3 1 5		
3.9	363.40	390	1.24	7414	3 6 0		
2.8	508.21	535	0.90	7400	5 0 0		
11	124.00	173	3.05	11838	C 0 6 2 1 1 2 5 _ M _ - - - . 2 5 A - -	34.5	71
6.5	214.00	252	3.03	11817	2 1 2		
5.8	240.00	280	2.73	11796	2 5 0		
8.2	169.81	234	3.27	11817	C 0 6 3 1 1 6 0 _ M _ - - - . 2 5 A - -	39.5	71
7.6	184.62	253	3.02	11796	1 8 0		
5.3	265.95	360	2.12	11748	2 6 5		
4.7	299.67	404	1.89	11644	2 8 0		
4.3	328.67	374	2.05	11744	3 1 5		
3.9	357.32	404	1.89	11744	3 6 0		
3.5	395.39	530	1.44	11592	4 0 0		
3.1	449.50	599	1.28	11500	4 5 0		
2.7	514.75	569	1.34	11600	5 0 0		
2.4	580.00	637	1.20	11600	5 6 0		
5.6	249.94	354	3.78	29152	C 0 7 3 1 2 6 5 _ M _ - - - . 2 5 A - -	86.5	71
5.1	273.68	386	3.46	29143	2 8 0		
4.4	319.95	422	3.01	28013	3 1 5		
4.1	341.61	449	2.82	26909	3 6 0		
3.7	373.83	522	2.56	26449	4 0 0		
3.3	419.25	584	2.29	29117	4 5 0		
2.8	499.88	651	1.95	29096	5 0 0		
2.6	547.35	710	1.79	29096	5 6 0		
1.9	747.66	953	1.32	29048	8 0 0		
1.7	838.50	1066	1.18	29018	9 0 0		
1.4	1009.20	1375	0.97	28931	C 0 7 4 1 1 0 C _ M _ - - - . 2 5 A - -	90.5	71
1.3	1097.19	1494	0.90	28931	1 1 C		
1.2	1213.28	1632	0.82	28931	1 2 C		
2.6	547.09	760	3.57	41656	C 0 8 4 1 5 6 0 _ M _ - - - . 2 5 A - -	143.5	71
2.2	636.31	883	3.07	41656	6 3 0		
2.0	711.92	986	2.75	41656	7 1 0		
1.8	758.79	1052	2.58	41656	8 0 0		
1.6	899.27	1245	2.18	41656	9 0 0		
1.5	960.14	1328	2.04	41656	1 0 C		
1.3	1083.79	1493	1.90	41656	1 1 C		
1.2	1191.45	1643	1.65	41656	1 2 C		
0.99	1404.96	1932	1.41	41656	1 4 C		

NOTE:
Other output speeds are available using 2 & 8 pole motors. Please contact our Application Engineers

SERIES C SELECTION TABLE GEARED MOTORS

0.25 kW

4 POLE

0.25 kW

6 POLE

NOTE:

Other output speeds are available using 2 & 8 pole motors. Please contact our Application Engineers

N2 RPM	i	M2 Nm	Fm	N	Unit Designation	kg	
Output Speed	Ratio	Output Torque	Service Factor	Overhung Load	Column Entry 1 - 20 Spaces to be filled when entering order	Weight of Base Mount unit	Motor Size
0.91	1532.14	2085	1.57	41545	C 0 8 4 1 1 6 C _ M _ _ _ . 2 5 A _ _	143.5	71
0.74	1901.25	2582	1.27	41545	1 8 C		
0.67	2088.45	2826	1.19	41545	2 0 C		
0.62	2241.96	3039	1.08	41545	2 2 C		
0.57	2462.71	3326	1.01	41545	2 5 C		
0.52	2696.62	3637	0.92	41545	2 8 C		
1.5	917.87	1298	3.68	53383	C 0 9 4 1 9 0 0 _ M _ _ _ . 2 5 A _ _	211.5	71
1.4	980.00	1385	3.45	53383	1 0 C		
1.3	1088.78	1533	3.14	53383	1 1 C		
1.2	1216.09	1713	2.79	53383	1 2 C		
0.98	1434.02	2015	2.37	53383	1 4 C		
0.91	1537.95	2137	2.30	53383	1 6 C		
0.73	1908.45	2646	1.86	53383	1 8 C		
0.66	2106.88	2914	1.70	53383	2 0 C		
0.62	2250.46	3113	1.58	53383	2 2 C		
0.56	2484.44	3429	1.44	53383	2 5 C		
0.51	2720.42	3749	1.32	53383	2 8 C		
0.42	3333.96	4578	1.08	53383	3 2 C		
0.37	3774.96	5168	0.95	53383	3 6 C		
105	8.59	18	4.72	2854	C 0 3 2 1 8 . 0 _ M _ _ _ . 2 5 C _ _	15.5	71
78	11.61	24	3.86	2852	1 1 .		
68	13.20	28	3.49	2851	1 2 .		
60	14.95	31	3.20	2850	1 4 .		
55	16.36	30	3.11	2850	1 6 .		
47	19.12	40	2.67	2839	1 8 .		
44	20.61	43	2.54	2838	2 0 .		
41	22.11	40	2.54	2839	2 2 .		
36	25.14	46	2.32	2837	2 5 .		
32	28.48	52	2.13	2835	2 8 .		
27	33.71	70	1.79	2829	3 2 .		
25	36.43	65	1.79	2831	3 6 .		
23	39.26	70	1.70	2829	4 0 .		
20	45.50	93	1.48	2812	4 5 .		
17	53.31	108	1.34	2799	5 0 .		
16	56.19	98	1.33	2812	5 6 .		
14	64.21	111	1.21	2799	6 3 .		
12	74.55	149	1.00	2778	7 1 .		
11	82.83	164	0.9	2773	8 0 .		
10	86.67	147	1.01	2788	9 0 .		
8.9	101.54	170	0.87	2770	1 0 0		
36	25.14	47	3.70	5285	C 0 4 2 1 2 5 . _ M _ _ _ . 2 5 C _ _	18.5	71
32	28.48	53	3.40	5284	2 8 .		
27	33.71	70	2.95	5281	3 2 .		
25	36.43	67	2.86	5283	3 6 .		
23	39.26	71	2.73	5282	4 0 .		
20	45.50	94	2.19	5279	4 5 .		
17	53.31	109	1.88	5277	5 0 .		
16	56.19	100	2.13	5279	5 6 .		
14	64.21	113	1.94	5275	6 3 .		
12	74.55	150	1.35	5271	7 1 .		
11	82.83	166	1.13	5265	8 0 .		
10	86.67	150	1.64	5269	9 0 .		
8.9	101.54	174	1.46	5264	1 0 0		
6.3	142.00	238	1.17	5253	1 4 0		
5.7	157.78	262	1.06	5243	1 6 0		
8.5	105.36	208	0.96	5259	C 0 4 3 1 1 0 0 _ M _ _ _ . 2 5 C _ _	21.5	71
7.5	120.39	237	0.84	5253	1 1 8		
6.9	130.10	216	1.26	5256	1 3 2		
6.4	140.21	233	1.19	5253	1 5 0		
4.5	200.68	326	0.85	5228	2 0 0		
12	73.37	152	2.62	7432	C 0 5 2 1 7 1 . _ M _ _ _ . 2 5 C _ _	21.5	71
11	82.67	170	2.33	7430	8 0 .		
10	90.67	162	2.97	7430	9 0 .		
9.1	98.57	175	2.74	7429	1 0 0		
8.3	109.07	223	1.73	7427	1 1 2		
7.3	124.00	252	1.51	7427	1 2 5		
6.3	142.00	246	1.95	7427	1 4 0		
5.6	160.00	275	1.75	7421	1 6 0		
4.3	211.11	359	1.34	5904	2 1 2		
3.8	240.00	404	1.19	7414	2 5 0		
8.7	103.90	211	1.87	6567	C 0 5 3 1 1 0 0 _ M _ _ _ . 2 5 C _ _	25.5	71
7.6	118.73	240	1.63	6453	1 1 8		
6.9	130.38	225	2.13	6453	1 3 2		
6.4	140.51	242	1.99	6453	1 5 0		

SERIES C SELECTION TABLE GEARED MOTORS

0.25 kW

6 POLE

N2 RPM	i	M2 Nm	Fm	N	Unit Designation	kg	
Output Speed	Ratio	Output Torque	Service Factor	Overhung Load	Column Entry 1 - 20 Spaces to be filled when entering order	Weight of Base Mount unit	Motor Size
5.6	160.26	320	1.22	5904	C 0 5 3 1 1 6 0 _ M _ _ _ _ . 2 5 C - -	25.5	71
4.8	187.76	374	1.03	7412	1 8 0		
4.5	201.10	340	1.42	7418	2 0 0		
3.9	229.81	385	1.25	7412	2 2 5		
2.9	310.18	512	0.94	7403	3 1 5		
2.5	363.40	595	0.81	6691	3 6 0		
11	80.94	176	3.9	11834	C 0 6 2 1 8 0 . _ M _ _ _ _ . 2 5 C - -	34.5	71
8.1	110.57	239	2.99	11807	1 1 2		
7.3	124.00	266	1.96	11796	1 2 5		
6.3	143.08	263	2.91	11817	1 4 0		
5.7	156.67	286	2.67	11796	1 6 0		
4.2	214.00	383	2.00	11755	2 1 2		
3.8	240.00	426	1.8	11734	2 5 0		
5.3	169.81	360	2.13	11755	C 0 6 3 1 1 6 0 _ M _ _ _ _ . 2 5 C - -	39.5	71
4.9	184.62	390	1.96	11734	1 8 0		
3.4	265.95	555	1.38	11588	2 6 5		
3.0	299.67	622	1.23	11540	2 8 0		
2.7	328.67	568	1.35	11592	3 1 5		
2.5	357.32	615	1.25	11592	3 6 0		
2.3	395.39	817	0.94	11388	4 0 0		
2.0	449.50	924	0.83	11300	4 5 0		
1.7	514.75	869	0.88	11400	5 0 0		
5.6	159.98	353	3.79	29152	C 0 7 3 1 1 6 0 _ M _ _ _ _ . 2 5 C - -	86.5	71
5.3	170.81	377	3.55	29152	1 8 0		
4.6	194.65	404	3.14	29143	2 0 0		
4.0	226.39	465	2.73	29158	2 2 5		
3.6	249.94	545	2.46	29138	2 6 5		
3.3	273.68	595	2.25	29117	2 8 0		
2.8	319.95	651	1.95	29117	3 1 5		
2.6	341.61	693	1.83	29096	3 6 0		
2.4	373.83	806	1.66	29079	4 0 0		
2.1	419.25	900	1.49	29079	4 5 0		
1.8	499.88	997	1.26	29048	5 0 0		
1.6	547.35	1087	1.16	29018	5 6 0		
1.2	747.66	1473	0.86	28940	8 0 0		
1.6	547.09	1183	2.29	41656	C 0 8 4 1 5 6 0 _ M _ _ _ _ . 2 5 C - -	143.5	71
1.4	636.31	1374	1.98	41656	6 3 0		
1.3	711.92	1534	1.77	41656	7 1 0		
1.2	758.79	1635	1.66	41656	8 0 0		
1.0	899.27	1933	1.40	41656	9 0 0		
0.94	960.14	2061	1.32	41656	1 0 C		
0.83	1083.79	2318	1.23	41656	1 1 C		
0.76	1191.45	2546	1.07	41656	1 2 C		
0.64	1404.96	2989	0.91	41656	1 4 C		
0.59	1532.14	3243	1.01	41545	1 6 C		
0.47	1901.25	4010	0.82	41545	1 8 C		
1.6	558.41	1233	3.88	53383	C 0 9 4 1 5 6 0 _ M _ _ _ _ . 2 5 C - -	211.5	71
1.4	649.47	1432	3.34	53383	6 3 0		
1.2	726.65	1598	2.99	53383	7 1 0		
1.2	774.48	1704	2.80	53383	8 0 0		
0.98	917.87	2015	2.37	53383	9 0 0		
0.92	980.00	2149	2.22	53383	1 0 C		
0.83	1088.78	2379	2.02	53383	1 1 C		
0.74	1216.09	2656	1.80	53383	1 2 C		
0.63	1434.02	3120	1.53	53383	1 4 C		
0.59	1537.95	3321	1.48	53383	1 6 C		
0.47	1908.45	4108	1.20	53383	1 8 C		
0.43	2106.88	4525	1.09	53383	2 0 C		
0.40	2250.46	4828	1.02	53383	2 2 C		
0.36	2484.44	5319	0.93	53383	2 5 C		
0.33	2720.42	5813	0.85	53383	2 8 C		
163	8.59	18	4.49	2852	C 0 3 2 1 8 . 0 _ M _ _ _ _ . 3 7 A - -	15.5	71
121	11.61	24	3.63	2850	1 1 .		
106	13.20	27	3.31	2849	1 2 .		
94	14.95	30	3.03	2849	1 4 .		
86	16.36	30	2.90	2847	1 6 .		
73	19.12	39	2.54	2844	1 8 .		
68	20.61	41	2.41	2844	2 0 .		
63	22.11	39	2.37	2844	2 2 .		
56	25.14	45	2.17	2840	2 5 .		
49	28.48	50	2.00	2840	2 8 .		
42	33.71	67	1.68	2826	3 2 .		
38	36.43	63	1.68	2826	3 6 .		

0.37 kW

4 POLE

NOTE:

Other output speeds are available using 2 & 8 pole motors. Please contact our Application Engineers

SERIES C SELECTION TABLE GEARED MOTORS

0.37 kW
4 POLE

N2 RPM	i	M2 Nm	Fm	N	Unit Designation	kg	
Output Speed	Ratio	Output Torque	Service Factor	Overhung Load	Column Entry 1 - 20 Spaces to be filled when entering order	Weight of Base Mount unit	Motor Size
36	39.26	68	1.60	2826	C 0 3 2 1 4 0 . _ M _ _ _ . 3 7 A - -	15.5	71
31	45.50	90	1.35	2815	4 5 .		
26	53.31	104	1.21	2805	5 0 .		
25	56.19	96	1.25	2815	5 6 .		
22	64.21	108	1.14	2799	6 3 .		
19	74.55	143	0.99	2780	7 1 .		
17	82.83	159	0.92	2780	8 0 .		
16	86.67	143	0.97	2780	9 0 .		
63	22.11	41	3.78	5286	C 0 4 2 1 2 2 . _ M _ _ _ . 3 7 A - -	18.5	71
56	25.14	46	3.47	5284	2 5 .		
49	28.48	52	3.21	5284	2 8 .		
42	33.71	68	2.82	5280	3 2 .		
38	36.43	65	2.69	5282	3 6 .		
36	39.26	70	2.55	5282	4 0 .		
31	45.50	91	2.26	5282	4 5 .		
26	53.31	105	1.97	5274	5 0 .		
25	56.19	98	2.00	5278	5 6 .		
22	64.21	110	1.82	5274	6 3 .		
19	74.55	145	1.41	5266	7 1 .		
17	82.83	161	1.19	5266	8 0 .		
16	86.67	146	1.54	5280	9 0 .		
14	101.54	169	1.38	5270	1 0 0		
10	142.00	232	1.09	5250	1 4 0		
8.9	157.78	255	1.00	5240	1 6 0		
13	105.36	200	1.02	5255	C 0 4 3 1 1 0 0 _ M _ _ _ . 3 7 A - -	21.5	71
12	120.39	228	0.89	5249	1 1 8		
11	130.10	210	1.14	5255	1 3 2		
10	140.21	225	1.09	5250	1 5 0		
7.0	200.68	316	0.87	5230	2 0 0		
19	73.37	147	2.59	7434	C 0 5 2 1 7 1 . _ M _ _ _ . 3 7 A - -	21.5	71
17	82.67	165	2.33	7432	8 0 .		
15	90.67	159	3.00	7432	9 0 .		
14	98.57	171	2.82	7429	1 0 0		
13	109.07	215	1.82	7432	1 1 2		
11	124.00	243	1.58	7434	1 2 5		
10	142.00	240	2.00	7434	1 4 0		
8.8	160.00	268	1.79	7424	1 6 0		
6.6	211.11	349	1.38	7412	2 1 2		
5.8	240.00	392	1.23	7430	2 5 0		
13	103.90	204	1.96	7427	C 0 5 3 1 1 0 0 _ M _ _ _ . 3 7 A - -	25.5	71
12	118.73	232	1.72	7422	1 1 8		
11	130.38	219	2.19	7424	1 3 2		
10	140.51	235	2.05	7422	1 5 0		
8.7	160.26	309	1.28	7416	1 6 0		
7.5	187.76	360	1.09	7416	1 8 0		
7.0	201.10	329	1.46	7422	2 0 0		
6.1	229.81	374	1.29	7416	2 2 5		
4.5	310.18	496	0.97	7410	3 1 5		
3.9	363.40	577	0.84	7390	3 6 0		
17	80.94	171	3.55	11909	C 0 6 2 1 8 0 . _ M _ _ _ . 3 7 A - -	34.5	71
13	110.57	230	2.74	11797	1 1 2		
11	124.00	257	2.06	11780	1 2 5		
10	143.08	257	2.97	11780	1 4 0		
8.9	156.67	279	2.74	11780	1 6 0		
6.5	214.00	373	2.05	11741	2 1 2		
5.8	240.00	415	1.84	11701	2 5 0		
8.2	169.81	346	2.21	11741	C 0 6 3 1 1 6 0 _ M _ _ _ . 3 7 A - -	39.5	71
7.6	184.62	375	2.04	11701	1 8 0		
5.3	265.95	533	1.44	11609	2 6 5		
4.7	299.67	599	1.28	11500	2 8 0		
4.3	328.67	553	1.38	11600	3 1 5		
3.9	357.32	599	1.28	11600	3 6 0		
3.5	395.39	784	0.98	11400	4 0 0		
8.8	159.98	340	3.94	29139	C 0 7 3 1 1 6 0 _ M _ _ _ . 3 7 A - -	86.5	71
8.2	170.81	361	3.71	29145	1 8 0		
7.2	194.65	389	3.05	29145	2 0 0		
6.2	226.39	449	2.71	29127	2 2 5		
5.6	249.94	523	2.56	29109	2 6 5		
5.1	273.68	572	2.34	29091	2 8 0		
4.4	319.95	624	2.03	26917	3 1 5		
4.1	341.61	665	1.91	24796	3 6 0		
3.7	373.83	773	1.73	23910	4 0 0		
3.3	419.25	864	1.55	29041	4 5 0		
2.8	499.88	963	1.32	29001	5 0 0		
2.6	547.35	1051	1.21	29001	5 6 0		
1.9	747.66	1411	0.89	28909	8 0 0		
2.6	547.09	1125	2.41	41656	C 0 8 4 1 5 6 0 _ M _ _ _ . 3 7 A - -	143.5	71
2.2	636.31	1307	2.08	41656	6 3 0		
2.0	711.92	1460	1.86	41656	7 1 0		
1.8	758.79	1557	1.74	41656	8 0 0		

NOTE:
Other output speeds are available using 2 & 8 pole motors. Please contact our Application Engineers

SERIES C SELECTION TABLE GEARED MOTORS

0.37 kW

4 POLE

0.37 kW

6 POLE

NOTE:

Other output speeds are available using 2 & 8 pole motors. Please contact our Application Engineers

N2 RPM	i	M2 Nm	Fm	N	Unit Designation	kg	
Output Speed	Ratio	Output Torque	Service Factor	Overhung Load	Column Entry 1 - 20 Spaces to be filled when entering order	Weight of Base Mount unit	Motor Size
1.6	899.27	1842	1.47	41656	C 0 8 4 1 9 0 0 _ M _ _ _ . 3 7 A _ _	143.5	71
1.5	960.14	1966	1.38	41656	1 0 C		
1.3	1083.79	2210	1.29	41656	1 1 C		
1.2	1191.45	2432	1.12	41656	1 2 C		
0.99	1404.96	2860	0.95	41656	1 4 C		
0.91	1532.14	3086	1.06	41545	1 6 C		
0.74	1901.25	3822	0.86	41545	1 8 C		
0.67	2088.45	4183	0.80	41545	2 0 C		
2.2	649.47	1363	3.51	53383	C 0 9 4 1 6 3 0 _ M _ _ _ . 3 7 A _ _	211.5	71
1.9	726.65	1522	3.14	53383	7 1 0		
1.8	774.48	1624	2.94	53383	8 0 0		
1.5	917.87	1921	2.49	53383	9 0 0		
1.4	980.00	2050	2.33	53383	1 0 C		
1.3	1088.78	2268	2.12	53383	1 1 C		
1.2	1216.09	2536	1.88	53383	1 2 C		
0.98	1434.02	2983	1.60	53383	1 4 C		
0.91	1537.95	3163	1.56	53383	1 6 C		
0.73	1908.45	3916	1.26	53383	1 8 C		
0.66	2106.88	4313	1.15	53383	2 0 C		
0.62	2250.46	4608	1.07	53383	2 2 C		
0.56	2484.44	5075	0.98	53383	2 5 C		
0.51	2720.42	5549	0.89	53383	2 8 C		
107	8.59	27	3.26	2849	C 0 3 2 1 8 . 0 _ M _ _ _ . 3 7 C _ _	19.5	80A
79	11.61	36	2.67	2845	1 1 .		
70	13.20	41	2.41	2843	1 2 .		
62	14.95	46	2.21	2841	1 4 .		
56	16.36	44	2.15	2842	1 6 .		
48	19.12	58	1.84	2829	1 8 .		
45	20.61	62	1.75	2827	2 0 .		
42	22.11	59	1.75	2829	2 2 .		
37	25.14	66	1.60	2826	2 5 .		
32	28.48	75	1.47	2822	2 8 .		
27	33.71	101	1.23	2810	3 2 .		
25	36.43	94	1.24	2814	3 6 .		
23	39.26	102	1.18	2810	4 0 .		
20	45.50	134	1.02	2787	4 5 .		
17	53.31	156	0.92	2771	5 0 .		
16	56.19	142	0.92	2787	5 6 .		
14	64.21	161	0.84	2771	6 3 .		
62	14.95	47	3.68	5283	C 0 4 2 1 1 4 . _ M _ _ _ . 3 7 C _ _	22.5	80A
56	16.36	45	3.44	5283	1 6 .		
48	19.12	59	3.06	5282	1 8 .		
45	20.61	63	2.93	5280	2 0 .		
42	22.11	60	2.80	5280	2 2 .		
37	25.14	68	2.55	5280	2 5 .		
32	28.48	77	2.35	5279	2 8 .		
27	33.71	102	2.04	5273	3 2 .		
25	36.43	97	1.98	5277	3 6 .		
23	39.26	104	1.88	5274	4 0 .		
20	45.50	136	1.52	5270	4 5 .		
17	53.31	159	1.30	5266	5 0 .		
16	56.19	145	1.47	5270	5 6 .		
14	64.21	164	1.34	5262	6 3 .		
12	74.55	218	0.93	5255	7 1 .		
11	86.67	217	1.13	5250	9 0 .		
9.1	101.54	252	1.01	5240	1 0 0		
6.5	142.00	345	0.81	5220	1 4 0		
7.1	130.10	313	0.87	5226	C 0 4 3 1 1 3 2 _ M _ _ _ . 3 7 C _ _	25.5	80A
6.6	140.21	337	0.82	5220	1 5 0		
28	32.55	101	3.81	7440	C 0 5 2 1 3 2 . _ M _ _ _ . 3 7 C _ _	25.5	80A
23	40.74	111	3.76	7440	4 0 .		
20	46.84	143	2.82	7440	4 5 .		
18	50.93	156	2.59	7440	5 0 .		
17	55.45	149	3.00	7440	5 6 .		
15	63.00	167	2.75	7440	6 3 .		
13	73.37	220	1.81	7424	7 1 .		
11	82.67	247	1.61	7422	8 0 .		
10	90.67	235	2.05	7422	9 0 .		
9.3	98.57	254	1.90	7419	1 0 0		
8.4	109.07	324	1.20	7416	1 1 2		
7.4	124.00	365	1.04	7416	1 2 5		
6.5	142.00	357	1.35	7416	1 4 0		
5.8	160.00	399	1.21	7404	1 6 0		
4.4	211.11	519	0.93	4487	2 1 2		
3.8	240.00	585	0.82	7390	2 5 0		

SERIES C SELECTION TABLE GEARED MOTORS

0.37 kW

6 POLE

N2 RPM	i	M2 Nm	Fm	N	Unit Designation	kg	
Output Speed	Ratio	Output Torque	Service Factor	Overhung Load	Column Entry 1 - 20 Spaces to be filled when entering order	Weight of Base Mount unit	Motor Size
8.9	103.90	306	1.29	5761	C 0 5 3 1 1 0 0 _ M _ _ _ _ . 3 7 C - -	29.5	80A
7.7	118.73	348	1.13	5542	1 1 8		
7.1	130.38	327	1.47	5542	1 3 2		
6.5	140.51	350	1.38	5542	1 5 0		
5.7	160.26	464	0.84	4487	1 6 0		
4.6	201.10	492	0.98	7399	2 0 0		
4.0	229.81	558	0.86	7387	2 2 5		
12	73.92	236	3.24	11791	C 0 6 2 1 7 1 . _ M _ _ _ _ . 3 7 C - -	37.5	80A
11	80.94	256	2.69	11773	8 0 .		
10	91.58	252	3.03	11873	9 0 .		
9.4	97.78	268	2.85	11773	1 0 0		
8.3	110.57	346	2.06	11721	1 1 2		
7.4	124.00	386	1.35	11701	1 2 5		
6.4	143.08	381	2.01	11741	1 4 0		
5.9	156.67	415	1.84	11701	1 6 0		
4.3	214.00	554	1.38	11622	2 1 2		
3.8	240.00	617	1.24	11582	2 5 0		
8.9	103.86	324	2.36	11800	C 0 6 3 1 1 0 0 _ M _ _ _ _ . 3 7 C - -	43.5	80A
7.8	117.99	366	2.09	11700	1 1 8		
7.1	130.00	345	2.22	11800	1 3 2		
6.2	147.69	389	1.97	11700	1 5 0		
5.4	169.81	521	1.47	11622	1 6 0		
5.0	184.62	565	1.35	11582	1 8 0		
4.6	201.02	519	1.47	11600	2 0 0		
4.0	228.38	585	1.31	11600	2 2 5		
3.5	265.95	803	0.95	11393	2 6 5		
3.1	299.67	901	0.85	11300	2 8 0		
2.8	328.67	823	0.93	11400	3 1 5		
2.6	357.32	890	0.86	11400	3 6 0		
9.2	99.79	312	3.65	29200	C 0 7 2 1 1 0 0 _ M _ _ _ _ . 3 7 C - -	80.5	80A
8.8	104.32	339	3.24	29200	1 1 2		
7.9	115.92	375	2.93	29200	1 2 5		
6.7	138.00	425	2.82	29200	1 4 0		
6.1	151.12	461	2.64	29200	1 6 0		
4.4	208.65	627	2.03	29200	2 1 2		
4.0	231.83	693	1.83	29200	2 5 0		
8.1	113.20	366	3.65	29139	C 0 7 3 1 1 1 8 _ M _ _ _ _ . 3 7 C - -	89.5	80A
7.4	125.04	379	3.11	29200	1 3 2		
6.5	141.75	432	2.80	29200	1 5 0		
5.8	159.98	512	2.62	29109	1 6 0		
5.4	170.81	546	2.45	29109	1 8 0		
4.7	194.65	585	2.17	29091	2 0 0		
4.1	226.39	673	1.89	29120	2 2 5		
3.7	249.94	789	1.70	29080	2 6 5		
3.4	273.68	862	1.55	29041	2 8 0		
2.9	319.95	942	1.35	29041	3 1 5		
2.7	341.61	1004	1.26	29001	3 6 0		
2.5	373.83	1167	1.15	28967	4 0 0		
2.2	419.25	1303	1.03	28967	4 5 0		
1.8	499.88	1443	0.87	28909	5 0 0		
1.7	547.35	1574	0.80	28851	5 6 0		
3.9	235.77	712	3.68	41900	C 0 8 2 1 2 5 0 _ M _ _ _ _ . 3 7 C - -	130.5	80A
1.7	547.09	1713	1.58	41656	C 0 8 4 1 5 6 0 _ M _ _ _ _ . 3 7 C - -	146.5	80A
1.4	636.31	1990	1.36	41656	6 3 0		
1.3	711.92	2221	1.22	41656	7 1 0		
1.2	758.79	2368	1.15	41656	8 0 0		
1.0	899.27	2798	0.97	41656	9 0 0		
0.96	960.14	2984	0.91	41656	1 0 C		
0.85	1083.79	3357	0.85	41656	1 1 C		
1.6	558.41	1785	2.68	53383	C 0 9 4 1 5 6 0 _ M _ _ _ _ . 3 7 C - -	214.5	80A
1.4	649.47	2073	2.31	53383	6 3 0		
1.3	726.65	2314	2.07	53383	7 1 0		
1.2	774.48	2468	1.94	53383	8 0 0		
1.0	917.87	2917	1.64	53383	9 0 0		
0.94	980.00	3112	1.54	53383	1 0 C		
0.84	1088.78	3445	1.40	53383	1 1 C		
0.76	1216.09	3846	1.24	53383	1 2 C		
0.64	1434.02	4518	1.06	53383	1 4 C		
0.60	1537.95	4809	1.02	53383	1 6 C		
0.48	1908.45	5947	0.83	53383	1 8 C		

NOTE:

Other output speeds are available using 2 & 8 pole motors. Please contact our Application Engineers

SERIES C SELECTION TABLE GEARED MOTORS

0.55 kW
4 POLE

N2 RPM	i	M2 Nm	Fm	N	Unit Designation	kg	
Output Speed	Ratio	Output Torque	Service Factor	Overhung Load	Column Entry 1 - 20 Spaces to be filled when entering order	Weight of Base Mount unit	Motor Size
165	8.59	26	3.06	2847	C 0 3 2 1 8 . 0 _ M _ _ _ . 5 5 A - -	19.5	80A
122	11.61	35	2.47	2844	1 1 .		
108	13.20	39	2.26	2841	1 2 .		
95	14.95	45	2.07	2841	1 4 .		
87	16.36	44	1.98	2838	1 6 .		
74	19.12	57	1.73	2833	1 8 .		
69	20.61	61	1.64	2833	2 0 .		
64	22.11	58	1.62	2833	2 2 .		
56	25.14	66	1.48	2825	2 5 .		
50	28.48	74	1.36	2825	2 8 .		
42	33.71	98	1.15	2809	3 2 .		
39	36.43	93	1.15	2809	3 6 .		
36	39.26	100	1.09	2809	4 0 .		
31	45.50	132	0.92	2790	4 5 .		
27	53.31	153	0.83	2780	5 0 .		
25	56.19	140	0.85	2790	5 6 .		
108	13.20	40	3.76	5285	C 0 4 2 1 1 2 . _ M _ _ _ . 5 5 A - -	22.5	80A
95	14.95	46	3.45	5283	1 4 .		
87	16.36	45	3.17	5283	1 6 .		
74	19.12	58	2.88	5283	1 8 .		
69	20.61	62	2.74	5283	2 0 .		
64	22.11	60	2.58	5283	2 2 .		
56	25.14	67	2.37	5280	2 5 .		
50	28.48	76	2.19	5280	2 8 .		
42	33.71	99	1.92	5274	3 2 .		
39	36.43	95	1.83	5276	3 6 .		
36	39.26	102	1.74	5276	4 0 .		
31	45.50	133	1.54	5276	4 5 .		
27	53.31	155	1.35	5262	5 0 .		
25	56.19	143	1.36	5269	5 6 .		
22	64.21	162	1.24	5262	6 3 .		
19	74.55	213	0.97	5250	7 1 .		
17	82.83	236	0.81	5250	8 0 .		
44	32.55	99	3.44	7440	C 0 5 2 1 3 2 . _ M _ _ _ . 5 5 A - -	25.5	80A
40	35.86	98	3.85	7440	3 6 .		
35	40.74	110	3.51	7440	4 0 .		
30	46.84	141	2.71	7440	4 5 .		
28	50.93	152	2.56	7440	5 0 .		
26	55.45	147	2.81	7440	5 6 .		
23	63.00	165	2.58	7440	6 3 .		
19	73.37	215	1.76	7431	7 1 .		
17	82.67	241	1.59	7426	8 0 .		
16	90.67	233	2.05	7426	9 0 .		
14	98.57	250	1.92	7422	1 0 0		
13	109.07	316	1.24	7426	1 1 2		
11	124.00	357	1.08	7430	1 2 5		
10	142.00	352	1.37	7430	1 4 0		
8.9	160.00	394	1.22	7412	1 6 0		
6.7	211.11	511	0.94	7392	2 1 2		
14	103.90	299	1.34	7418	C 0 5 3 1 1 0 0 _ M _ _ _ . 5 5 A - -	29.5	80A
12	118.73	340	1.17	7409	1 1 8		
11	130.38	321	1.50	7413	1 3 2		
10	140.51	345	1.40	7409	1 5 0		
8.9	160.26	453	0.87	7399	1 6 0		
7.1	201.10	483	1.00	7410	2 0 0		
6.2	229.81	549	0.88	7400	2 2 5		
22	64.80	180	3.99	11896	C 0 6 2 1 6 3 . _ M _ _ _ . 5 5 A - -	37.5	80A
19	73.92	230	3.31	11844	7 1 .		
18	80.94	251	2.42	11844	8 0 .		
16	91.58	250	3.06	11844	9 0 .		
15	97.78	265	2.88	11844	1 0 0		
13	110.57	338	1.87	11724	1 1 2		
11	124.00	376	1.41	11695	1 2 5		
10	143.08	377	2.03	11695	1 4 0		
9.1	156.67	409	1.87	11695	1 6 0		
6.6	214.00	548	1.40	11626	2 1 2		
5.9	240.00	609	1.26	11558	2 5 0		
14	103.86	316	2.42	11800	C 0 6 3 1 1 0 0 _ M _ _ _ . 5 5 A - -	43.5	80A
12	117.99	358	2.14	11700	1 1 8		
11	130.00	341	2.24	11800	1 3 2		
10	147.69	384	1.99	11700	1 5 0		
8.4	169.81	508	1.51	11626	1 6 0		
7.7	184.62	550	1.39	11558	1 8 0		
7.1	201.02	512	1.50	11600	2 0 0		
6.2	228.38	577	1.33	11600	2 2 5		
5.3	265.95	782	0.98	11400	2 6 5		
19	75.56	243	3.85	29200	C 0 7 2 1 8 0 . _ M _ _ _ . 5 5 A - -	80.5	80A
16	88.26	271	3.79	29200	9 0 .		
14	99.79	303	3.45	29200	1 0 0		
14	104.32	330	2.94	29200	1 1 2		
12	115.92	366	2.64	29200	1 2 5		
10	138.00	413	2.71	29200	1 4 0		
9.4	151.12	454	2.51	29200	1 6 0		

NOTE:
Other output speeds are available using 2 & 8 pole motors. Please contact our Application Engineers

SERIES C SELECTION TABLE GEARED MOTORS

0.55 kW
4 POLE

N2 RPM	i	M2 Nm	Fm	N	Unit Designation	kg			
Output Speed	Ratio	Output Torque	Service Factor	Overhung Load	Column Entry 1 - 20 Spaces to be filled when entering order	Weight of Base Mount unit	Motor Size		
6.8	208.65	612	1.96	29200	C 0 7 2 1 2 1 2 _ M _ - _ - _ . 5 5 A -	80.5	80A		
6.1	231.83	678	1.80	29200	2 5 0				
13	113.20	356	3.76	29125	C 0 7 3 1 1 1 8 _ M _ - _ - _ . 5 5 A -	89.5	80A		
11	125.04	372	2.96	29200	1 3 2				
10	141.75	416	2.69	29200	1 5 0				
8.9	159.98	498	2.69	29096	1 6 0				
8.3	170.81	529	2.53	29106	1 8 0				
7.3	194.65	571	2.08	29106	2 0 0				
6.3	226.39	658	1.85	29075	2 2 5				
5.7	249.94	767	1.74	29044	2 6 5				
5.2	273.68	838	1.60	29013	2 8 0				
4.4	319.95	915	1.39	25273	3 1 5				
4.2	341.61	975	1.30	21625	3 6 0				
3.8	373.83	1133	1.18	20101	4 0 0				
3.4	419.25	1266	1.06	28926	4 5 0				
2.8	499.88	1412	0.90	28858	5 0 0				
2.6	547.35	1540	0.82	28858	5 6 0				
6.0	235.77	699	3.61	41900	C 0 8 2 1 2 5 0 _ M _ - _ - _ . 5 5 A -			130.5	80A
2.6	547.09	1649	1.65	41656	C 0 8 4 1 5 6 0 _ M _ - _ - _ . 5 5 A -				
2.2	636.31	1916	1.42	41656	6 3 0	146.5	80A		
2.0	711.92	2140	1.27	41656	7 1 0				
1.9	758.79	2282	1.19	41656	8 0 0				
1.6	899.27	2700	1.01	41656	9 0 0				
1.5	960.14	2881	0.94	41656	1 0 C				
1.3	1083.79	3239	0.88	41656	1 1 C				
2.5	558.41	1719	2.78	53383	C 0 9 4 1 5 6 0 _ M _ - _ - _ . 5 5 A -			214.5	80A
2.2	649.47	1998	2.39	53383	6 3 0				
2.0	726.65	2231	2.14	53383	7 1 0				
1.8	774.48	2380	2.01	53383	8 0 0				
1.5	917.87	2816	1.70	53383	9 0 0				
1.4	980.00	3004	1.59	53383	1 0 C				
1.3	1088.78	3325	1.45	53383	1 1 C				
1.2	1216.09	3717	1.29	53383	1 2 C				
0.99	1434.02	4371	1.09	53383	1 4 C				
0.92	1537.95	4636	1.06	53383	1 6 C				
0.74	1908.45	5740	0.86	53383	1 8 C				

0.55 kW
6 POLE

107	8.59	40	2.20	2841	C 0 3 2 1 8 . 0 _ M _ - _ - _ . 5 5 C -	21	80B		
79	11.61	53	1.79	2835	1 1 .				
70	13.20	61	1.62	2831	1 2 .				
62	14.95	68	1.49	2828	1 4 .				
56	16.36	66	1.44	2829	1 6 .				
48	19.12	87	1.24	2814	1 8 .				
45	20.61	93	1.18	2810	2 0 .				
42	22.11	88	1.18	2814	2 2 .				
37	25.14	99	1.08	2809	2 5 .				
32	28.48	112	0.99	2802	2 8 .				
27	33.71	150	0.83	2781	3 2 .				
25	36.43	140	0.83	2788	3 6 .				
107	8.59	41	3.64	5285	C 0 4 2 1 8 . 0 _ M _ - _ - _ . 5 5 C -			24	80B
79	11.61	55	2.96	5281	1 1 .				
70	13.20	61	2.70	5279	1 2 .				
62	14.95	69	2.47	5279	1 4 .				
56	16.36	68	2.32	5279	1 6 .				
48	19.12	89	2.06	5277	1 8 .				
45	20.61	94	1.97	5274	2 0 .				
42	22.11	90	1.88	5274	2 2 .				
37	25.14	101	1.72	5274	2 5 .				
32	28.48	114	1.58	5271	2 8 .				
27	33.71	152	1.37	5261	3 2 .				
25	36.43	144	1.33	5268	3 6 .				
23	39.26	154	1.27	5263	4 0 .				
20	45.50	203	1.02	5255	4 5 .				
17	53.31	236	0.87	5249	5 0 .				
16	56.19	215	0.99	5255	5 6 .				
14	64.21	244	0.90	5242	6 3 .				

NOTE:
Other output speeds are available using 2 & 8 pole motors. Please contact our Application Engineers

50	18.53	87	3.69	7439	C 0 5 2 1 1 8 . _ M _ - _ - _ . 5 5 C -	27	80B
44	21.05	98	3.42	7438	2 0 .		
41	22.56	95	3.89	7439	2 2 .		
37	24.86	104	3.62	7438	2 5 .		
33	28.24	118	3.29	7437	2 8 .		
28	32.55	151	2.56	7435	3 2 .		
26	35.86	147	2.77	7435	3 6 .		

SERIES C SELECTION TABLE GEARED MOTORS

0.55 kW

6 POLE

N2 RPM	i	M2 Nm	Fm	N	Unit Designation	kg	
Output Speed	Ratio	Output Torque	Service Factor	Overhung Load	Column Entry 1 - 20 Spaces to be filled when entering order	Weight of Base Mount unit	Motor Size
23	40.74	166	2.53	7434	C 0 5 2 1 4 0 . _ M _ - _ _ . 5 5 C - -	27	80B
20	46.84	213	1.90	7432	4 5 .		
18	50.93	232	1.74	7430	5 0 .		
17	55.45	222	2.02	7432	5 6 .		
15	63.00	249	1.85	7430	6 3 .		
13	73.37	328	1.22	7413	7 1 .		
11	82.67	367	1.08	7409	8 0 .		
10	90.67	349	1.38	7409	9 0 .		
9.3	98.57	377	1.28	7404	1 0 0		
8.4	109.07	481	0.81	7399	1 1 2		
6.5	142.00	530	0.91	7400	1 4 0		
5.8	160.00	593	0.81	7378	1 6 0		
8.9	103.90	455	0.87	4552	C 0 5 3 1 1 0 0 _ M _ - _ _ . 5 5 C - -	31	80B
7.1	130.38	486	0.99	4175	1 3 2		
6.5	140.51	520	0.93	4175	1 5 0		
19	47.32	228	3.35	11865	C 0 6 2 1 4 5 . _ M _ - _ _ . 5 5 C - -	39	80B
18	50.52	242	3.15	11855	5 0 .		
17	55.71	236	3.19	11855	5 6 .		
14	64.80	271	2.82	11834	6 3 .		
12	73.92	351	2.18	11713	7 1 .		
11	80.94	380	1.81	11681	8 0 .		
10	91.58	375	2.04	11781	9 0 .		
9.4	97.78	399	1.92	11681	1 0 0		
8.3	110.57	515	1.39	11592	1 1 2		
7.4	124.00	573	0.91	11558	1 2 5		
6.4	143.08	567	1.35	11626	1 4 0		
5.9	156.67	617	1.24	11558	1 6 0		
4.3	214.00	824	0.93	11422	2 1 2		
3.8	240.00	917	0.83	11353	2 5 0		
8.9	103.86	482	1.59	11676	C 0 6 3 1 1 0 0 _ M _ - _ _ . 5 5 C - -	45	80B
7.8	117.99	545	1.40	11576	1 1 8		
7.1	130.00	513	1.49	11676	1 3 2		
6.2	147.69	578	1.32	11576	1 5 0		
5.4	169.81	775	0.99	11422	1 6 0		
5.0	184.62	840	0.91	11353	1 8 0		
4.6	201.02	772	0.99	11457	2 0 0		
4.0	228.38	870	0.88	11410	2 2 5		
18	49.90	248	3.85	29180	C 0 7 2 1 5 0 . _ M _ - _ _ . 5 5 C - -	82	80B
17	53.62	254	3.97	29179	5 6 .		
15	61.62	292	3.55	29179	6 3 .		
13	69.00	338	3.10	29172	7 1 .		
12	75.56	370	2.86	29165	8 0 .		
10	88.26	410	2.70	29168	9 0 .		
9.2	99.79	464	2.46	29168	1 0 0		
8.8	104.32	505	2.18	29168	1 1 2		
7.9	115.92	558	1.97	29152	1 2 5		
6.7	138.00	631	1.90	29150	1 4 0		
6.1	151.12	686	1.78	29150	1 6 0		
4.4	208.65	932	1.36	29105	2 1 2		
4.0	231.83	1030	1.23	29057	2 5 0		
9.5	97.33	471	2.84	29117	C 0 7 3 1 1 0 0 _ M _ - _ _ . 5 5 C - -	91	80B
8.1	113.20	545	2.46	29096	1 1 8		
7.4	125.04	564	2.09	29150	1 3 2		
6.5	141.75	642	1.88	29136	1 5 0		
5.8	159.98	761	1.76	29044	1 6 0		
5.4	170.81	812	1.65	29044	1 8 0		
4.7	194.65	870	1.46	29013	2 0 0		
4.1	226.39	1001	1.27	29063	2 2 5		
3.7	249.94	1174	1.14	28995	2 6 5		
3.4	273.68	1281	1.05	28926	2 8 0		
2.9	319.95	1401	0.91	28926	3 1 5		
2.7	341.61	1493	0.85	28858	3 6 0		
6.6	139.29	644	3.85	41880	C 0 8 2 1 1 4 0 _ M _ - _ _ . 5 5 C - -	132	80B
6.0	153.00	705	3.57	41880	1 6 0		
4.5	204.75	931	2.82	41868	2 1 2		
3.9	235.77	1058	2.47	41868	2 5 0		
1.7	547.09	2547	1.07	41656	C 0 8 4 1 5 6 0 _ M _ - _ _ . 5 5 C - -	148	80B
1.4	636.31	2958	0.92	41656	6 3 0		
1.3	711.92	3301	0.82	41656	7 1 0		
1.6	558.41	2654	1.80	53383	C 0 9 4 1 5 6 0 _ M _ - _ _ . 5 5 C - -	216	80B
1.4	649.47	3082	1.55	53383	6 3 0		
1.3	726.65	3441	1.39	53383	7 1 0		
1.2	774.48	3668	1.30	53383	8 0 0		
1.0	917.87	4337	1.10	53383	9 0 0		
0.94	980.00	4626	1.03	53383	1 0 C		
0.84	1088.78	5121	0.94	53383	1 1 C		
0.76	1216.09	5717	0.84	53383	1 2 C		
1.9	495.31	2376	3.57	87299	C 1 0 4 1 5 0 0 _ M _ - _ _ . 5 5 C - -	334	80B
1.7	544.84	2611	3.24	87299	5 6 0		

NOTE:

Other output speeds are available using 2 & 8 pole motors. Please contact our Application Engineers

SERIES C SELECTION TABLE GEARED MOTORS

0.55 kW
6 POLE

0.75 kW
4 POLE

N2 RPM	i	M2 Nm	Fm	N	Unit Designation	kg	
Output Speed	Ratio	Output Torque	Service Factor	Overhung Load	Column Entry 1 - 20 Spaces to be filled when entering order	Weight of Base Mount unit	Motor Size
1.5	626.07	2997	2.83	87299	C 1 0 4 1 6 3 0 _ M _ _ _ . 5 5 C _ _	334	80B
1.3	709.95	3391	2.50	87299	7 1 0		
1.2	783.06	3741	2.27	87299	8 0 0		
1.0	896.77	4277	1.98	87299	9 0 0		
0.91	1013.93	4827	1.76	87299	1 0 C		
0.82	1126.71	5342	1.55	87375	1 1 C		
0.78	1175.54	5582	1.52	87299	1 2 C		
0.66	1402.11	6635	1.28	87299	1 4 C		
0.57	1606.71	7534	1.14	87299	1 6 C		
0.49	1862.80	8716	0.98	87299	1 8 C		
0.43	2146.36	9991	0.86	87299	2 0 C		
0.41	2221.83	10366	0.83	87299	2 2 C		
165	8.59	36	2.24	2841	C 0 3 2 1 8 . 0 _ M _ _ _ . 7 5 A _ _	19.5	80A
122	11.61	48	1.81	2837	1 1 .		
107	13.20	54	1.65	2832	1 2 .		
95	14.95	62	1.51	2832	1 4 .		
86	16.36	60	1.44	2827	1 6 .		
74	19.12	78	1.27	2821	1 8 .		
69	20.61	84	1.20	2821	2 0 .		
64	22.11	80	1.18	2821	2 2 .		
56	25.14	90	1.08	2810	2 5 .		
50	28.48	101	1.00	2810	2 8 .		
42	33.71	134	0.84	2790	3 2 .		
39	36.43	127	0.84	2790	3 6 .		
165	8.59	37	3.70	5287	C 0 4 2 1 8 . 0 _ M _ _ _ . 7 5 A _ _	22.5	80A
122	11.61	49	3.01	5283	1 1 .		
107	13.20	56	2.75	5283	1 2 .		
95	14.95	62	2.52	5280	1 4 .		
86	16.36	62	2.32	5280	1 6 .		
74	19.12	79	2.11	5280	1 8 .		
69	20.61	85	2.00	5280	2 0 .		
64	22.11	82	1.89	5280	2 2 .		
56	25.14	93	1.73	5276	2 5 .		
50	28.48	104	1.60	5276	2 8 .		
42	33.71	136	1.41	5267	3 2 .		
39	36.43	131	1.34	5270	3 6 .		
36	39.26	140	1.27	5270	4 0 .		
31	45.50	182	1.13	5270	4 5 .		
27	53.31	212	0.98	5250	5 0 .		
25	56.19	196	1.00	5260	5 6 .		
22	64.21	222	0.91	5250	6 3 .		
76	18.53	79	3.57	7440	C 0 5 2 1 1 8 . _ M _ _ _ . 7 5 A _ _	25.5	80A
67	21.05	89	3.30	7439	2 0 .		
63	22.56	87	3.94	7439	2 2 .		
57	24.86	95	3.68	7439	2 5 .		
50	28.24	107	3.37	7438	2 8 .		
43	32.55	135	2.51	7437	3 2 .		
39	35.86	134	2.81	7437	3 6 .		
35	40.74	151	2.56	7437	4 0 .		
30	46.84	193	1.98	7437	4 5 .		
28	50.93	208	1.87	7435	5 0 .		
26	55.45	201	2.06	7435	5 6 .		
22	63.00	226	1.89	7433	6 3 .		
19	73.37	295	1.29	7427	7 1 .		
17	82.67	330	1.16	7420	8 0 .		
16	90.67	319	1.50	7420	9 0 .		
14	98.57	343	1.41	7414	1 0 0		
13	109.07	432	0.91	7420	1 1 2		
8.8	160.00	539	0.89	7400	1 6 0		
14	103.90	409	0.98	7407	C 0 5 3 1 1 0 0 _ M _ _ _ . 7 5 A _ _	29.5	80A
12	118.73	465	0.86	7395	1 1 8		
11	130.38	440	1.09	7401	1 3 2		
10	140.51	472	1.02	7395	1 5 0		
30	47.32	205	3.38	11868	C 0 6 2 1 4 5 . _ M _ _ _ . 7 5 A _ _	37.5	80A
28	50.52	218	3.24	11848	5 0 .		
25	55.71	215	3.24	11878	5 6 .		
22	64.80	247	2.91	11848	6 3 .		
19	73.92	314	2.42	11771	7 1 .		
17	80.94	344	1.77	11771	8 0 .		
15	91.58	342	2.24	11771	9 0 .		
14	97.78	363	2.11	11771	1 0 0		
13	110.57	462	1.37	11642	1 1 2		
11	124.00	515	1.03	11600	1 2 5		
10	143.08	516	1.48	11600	1 4 0		

NOTE:
Other output speeds are available using 2 & 8 pole motors. Please contact our Application Engineers

SERIES C SELECTION TABLE GEARED MOTORS

0.75 kW

4 POLE

N2 RPM	i	M2 Nm	Fm	N	Unit Designation	kg	
Output Speed	Ratio	Output Torque	Service Factor	Overhung Load	Column Entry 1 - 20 Spaces to be filled when entering order	Weight of Base Mount unit	Motor Size
9	156.67	560	1.37	11600	C 0 6 2 1 1 6 0 _ M _ _ _ _ . 7 5 A - -	37.5	80A
6.6	214.00	749	1.02	11500	2 1 2		
5.9	240.00	833	0.92	11400	2 5 0		
14	103.86	432	1.77	11690	C 0 6 3 1 1 0 0 _ M _ _ _ _ . 7 5 A - -	43.5	80A
12	117.99	490	1.56	11590	1 1 8		
11	130.00	467	1.64	11690	1 3 2		
10	147.69	525	1.46	11627	1 5 0		
8.3	169.81	695	1.10	11500	1 6 0		
7.7	184.62	753	1.02	11400	1 8 0		
7.0	201.02	700	1.09	11500	2 0 0		
6.2	228.38	790	0.97	11400	2 2 5		
28	49.90	222	3.96	29187	C 0 7 2 1 5 0 . _ M _ _ _ _ . 7 5 A - -	80.5	80A
23	61.62	262	3.70	29182	6 3 .		
21	69.00	304	3.04	29182	7 1 .		
19	75.56	333	2.81	29176	8 0 .		
16	88.26	371	2.77	29175	9 0 .		
14	99.79	415	2.52	29175	1 0 0		
14	104.32	452	2.15	29175	1 1 2		
12	115.92	502	1.93	29163	1 2 5		
10	138.00	566	1.98	29157	1 4 0		
9.4	151.12	621	1.83	29157	1 6 0		
6.8	208.65	838	1.43	29127	2 1 2		
6.1	231.83	928	1.31	29090	2 5 0		
15	97.33	422	3.17	29134	C 0 7 3 1 1 0 0 _ M _ _ _ _ . 7 5 A - -	89.5	80A
13	113.20	488	2.75	29090	1 1 8		
11	125.04	509	2.16	29159	1 3 2		
10	141.75	570	1.96	29163	1 5 0		
8.8	159.98	682	1.96	29048	1 6 0		
8.3	170.81	725	1.85	29063	1 8 0		
7.3	194.65	781	1.52	29063	2 0 0		
6.3	226.39	901	1.35	29017	2 2 5		
5.7	249.94	1050	1.28	28971	2 6 5		
5.2	273.68	1148	1.17	28926	2 8 0		
4.4	319.95	1252	1.01	23447	3 1 5		
4.1	341.61	1335	0.95	18101	3 6 0		
3.8	373.83	1550	0.86	15869	4 0 0		
10	139.29	578	3.99	41882	C 0 8 2 1 1 4 0 _ M _ _ _ _ . 7 5 A - -	130.5	80A
9.2	153.00	633	3.71	41883	1 6 0		
6.9	204.75	836	2.95	41867	2 1 2		
6.0	235.77	957	2.64	41875	2 5 0		
2.6	547.09	2256	1.20	41656	C 0 8 4 1 5 6 0 _ M _ _ _ _ . 7 5 A - -	146.5	80A
2.2	636.31	2622	1.04	41656	6 3 0		
2.0	711.92	2929	0.93	41656	7 1 0		
1.9	758.79	3123	0.87	41656	8 0 0		
2.5	558.41	2353	2.03	53383	C 0 9 4 1 5 6 0 _ M _ _ _ _ . 7 5 A - -	214.5	80A
2.2	649.47	2734	1.75	53383	6 3 0		
1.9	726.65	3054	1.57	53383	7 1 0		
1.8	774.48	3257	1.47	53383	8 0 0		
1.5	917.87	3853	1.24	53383	9 0 0		
1.4	980.00	4111	1.16	53383	1 0 C		
1.3	1088.78	4550	1.06	53383	1 1 C		
1.2	1216.09	5087	0.94	53383	1 2 C		
2.6	544.84	2314	3.66	87299	C 1 0 4 1 5 6 0 _ M _ _ _ _ . 7 5 A - -	332.5	80A
2.3	626.07	2657	3.19	87299	6 3 0		
2.0	709.95	3008	2.82	87299	7 1 0		
1.8	783.06	3319	2.55	87299	8 0 0		
1.6	896.77	3797	2.23	87299	9 0 0		
1.4	1013.93	4288	1.98	87299	1 0 C		
1.3	1126.71	4744	1.75	87375	1 1 C		
1.2	1175.54	4962	1.71	87299	1 2 C		
1.0	1402.11	5904	1.44	87299	1 4 C		
0.88	1606.71	6682	1.28	87299	1 6 C		
0.76	1862.80	7737	1.11	87299	1 8 C		
0.66	2146.36	8864	0.97	87299	2 0 C		
0.64	2221.83	9211	0.93	87299	2 2 C		
0.55	2560.05	10553	0.81	87299	2 5 C		

NOTE:

Other output speeds are available using 2 & 8 pole motors. Please contact our Application Engineers

SERIES C SELECTION TABLE GEARED MOTORS

0.75 kW
6 POLE

N2 RPM	i	M2 Nm	Fm	N	Unit Designation	kg	
Output Speed	Ratio	Output Torque	Service Factor	Overhung Load	Column Entry 1 - 20 Spaces to be filled when entering order	Weight of Base Mount unit	Motor Size
107	8.59	55	1.61	2832	C 0 3 2 1 8 . 0 _ M _ - - - . 7 5 C - -	24.5	90S
79	11.61	73	1.32	2823	1 1 .		
70	13.20	83	1.19	2818	1 2 .		
62	14.95	93	1.09	2814	1 4 .		
56	16.36	90	1.06	2815	1 6 .		
48	19.12	118	0.91	2798	C 0 3 2 1 1 8 . _ M _ - - - . 7 5 C - -	24.5	90S
45	20.61	127	0.86	2792	2 0 .		
42	22.11	120	0.87	2798	2 2 .		
107	8.59	56	2.67	5283	C 0 4 2 1 8 . 0 _ M _ - - - . 7 5 C - -	26.5	90S
79	11.61	75	2.17	5277	1 1 .		
70	13.20	84	1.98	5274	1 2 .		
62	14.95	95	1.81	5274	1 4 .		
56	16.36	92	1.70	5274	1 6 .		
48	19.12	121	1.51	5271	1 8 .		
45	20.61	129	1.44	5267	2 0 .		
42	22.11	123	1.38	5267	2 2 .		
37	25.14	138	1.26	5267	2 5 .		
32	28.48	156	1.16	5262	2 8 .		
27	33.71	207	1.01	5248	3 2 .		
25	36.43	196	0.97	5257	3 6 .		
23	39.26	210	0.93	5251	4 0 .		
79	11.66	76	3.60	7440	C 0 5 2 1 1 1 . _ M _ - - - . 7 5 C - -	30.5	90S
72	12.85	84	3.40	7440	1 2 .		
63	14.59	95	3.14	7440	1 4 .		
57	16.09	95	3.65	7440	1 6 .		
50	18.53	119	2.71	7437	1 8 .		
44	21.05	134	2.50	7435	2 0 .		
41	22.56	130	2.85	7437	2 2 .		
37	24.86	142	2.66	7435	2 5 .		
33	28.24	161	2.41	7433	2 8 .		
28	32.55	206	1.88	7429	3 2 .		
26	35.86	201	2.03	7429	3 6 .		
23	40.74	226	1.85	7427	4 0 .		
20	46.84	291	1.39	7423	4 5 .		
18	50.93	316	1.28	7419	5 0 .		
17	55.45	302	1.48	7423	5 6 .		
15	63.00	340	1.35	7419	6 3 .		
13	73.37	447	0.89	7401	7 1 .		
10	90.67	476	1.01	7395	9 0 .		
9.3	98.57	515	0.94	7388	1 0 0		
33	28.18	170	3.82	11937	C 0 6 2 1 2 8 . _ M _ - - - . 7 5 C - -	42.5	90S
27	33.48	223	3.17	11816	3 2 .		
26	35.79	213	3.22	11826	3 6 .		
23	40.57	239	2.94	11813	4 0 .		
19	47.32	312	2.45	11803	4 5 .		
18	50.52	331	2.31	11787	5 0 .		
17	55.71	322	2.34	11787	5 6 .		
14	64.80	370	2.07	11757	6 3 .		
12	73.92	479	1.60	11626	7 1 .		
11	80.94	519	1.33	11580	8 0 .		
10	91.58	512	1.49	11680	9 0 .		
9.4	97.78	544	1.41	11580	1 0 0		
8.3	110.57	703	1.02	11450	1 1 2		
6.4	143.08	773	0.99	11500	1 4 0		
5.9	156.67	841	0.91	11400	1 6 0		
8.9	103.86	658	1.16	11539	C 0 6 3 1 1 0 0 _ M _ - - - . 7 5 C - -	47.5	90S
7.8	117.99	743	1.03	11439	1 1 8		
7.1	130.00	700	1.09	11539	1 3 2		
6.2	147.69	788	0.97	11439	1 5 0		
21	44.13	300	3.14	29168	C 0 7 2 1 4 5 . _ M _ - - - . 7 5 C - -	84.5	90S
18	49.90	339	2.82	29158	5 0 .		
17	53.62	346	2.91	29156	5 6 .		
15	61.62	398	2.61	29156	6 3 .		
13	69.00	461	2.27	29142	7 1 .		
12	75.56	505	2.10	29127	8 0 .		
10	88.26	560	1.98	29132	9 0 .		
9.2	99.79	632	1.80	29132	1 0 0		
8.8	104.32	688	1.60	29132	1 1 2		
7.9	115.92	761	1.44	29099	1 2 5		
6.7	138.00	861	1.39	29095	1 4 0		
6.1	151.12	936	1.30	29095	1 6 0		
4.4	208.65	1270	1.00	29000	2 1 2		
4.0	231.83	1405	0.90	28900	2 5 0		

NOTE:
Other output speeds are available using 2 & 8 pole motors. Please contact our Application Engineers

SERIES C SELECTION TABLE GEARED MOTORS

0.75 kW
6 POLE

N2 RPM	i	M2 Nm	Fm	N	Unit Designation	kg	
Output Speed	Ratio	Output Torque	Service Factor	Overhung Load	Column Entry 1 - 20 Spaces to be filled when entering order	Weight of Base Mount unit	Motor Size
9.5	97.33	643	2.08	29078	C 0 7 3 1 1 0 0 _ M _ _ _ _ . 7 5 C - -	93.5	90S
8.1	113.20	743	1.8	29048	1 1 8		
7.4	125.04	769	1.53	29096	1 3 2		
6.5	141.75	876	1.38	29065	1 5 0		
5.8	159.98	1038	1.29	28971	1 6 0		
5.4	170.81	1107	1.21	28971	1 8 0		
4.7	194.65	1187	1.07	28926	2 0 0		
4.1	226.39	1365	0.93	29000	2 2 5		
3.7	249.94	1601	0.84	28900	2 6 5		
9.3	98.53	631	3.71	41871	C 0 8 2 1 1 0 0 _ M _ _ _ _ . 7 5 C - -	134.5	90S
7.8	117.89	782	3.72	41879	1 2 5		
6.6	139.29	878	2.82	41858	1 4 0		
6.0	153.00	962	2.62	41858	1 6 0		
4.5	204.75	1270	2.07	41832	C 0 8 2 1 2 1 2 _ M _ _ _ _ . 7 5 C - -	134.5	90S
3.9	235.77	1443	1.81	41832	2 5 0		
3.7	249.73	1526	3.65	53800	C 0 9 2 1 2 5 0 _ M _ _ _ _ . 7 5 C - -	197.5	90S
1.6	558.41	3619	1.32	53383	C 0 9 4 1 5 6 0 _ M _ _ _ _ . 7 5 C - -	218.5	90S
1.4	649.47	4203	1.14	53383	6 3 0		
1.3	726.65	4692	1.02	53383	7 1 0		
1.2	774.48	5003	0.96	53383	8 0 0		
1.0	917.87	5914	0.81	53383	9 0 0		
1.9	495.31	3240	2.62	87299	C 1 0 4 1 5 0 0 _ M _ _ _ _ . 7 5 C - -	336.5	90S
1.7	544.84	3561	2.38	87299	5 6 0		
1.5	626.07	4087	2.07	87299	6 3 0		
1.3	709.95	4625	1.83	87299	7 1 0		
1.2	783.06	5101	1.66	87299	8 0 0		
1.0	896.77	5832	1.45	87299	9 0 0		
0.91	1013.93	6582	1.29	87299	1 0 C		
0.82	1126.71	7285	1.14	87375	1 1 C		
0.78	1175.54	7612	1.11	87299	1 2 C		
0.66	1402.11	9048	0.94	87299	1 4 C		
0.57	1606.71	10274	0.83	87299	1 6 C		

1.1 kW
4 POLE

164	8.59	53	1.52	2831	C 0 3 2 1 8 . 0 _ M _ _ _ _ 1 . 1 A - -	24.5	90S
121	11.61	71	1.23	2824	1 1 .		
107	13.20	80	1.12	2817	1 2 .		
94	14.95	91	1.03	2817	1 4 .		
86	16.36	88	0.98	2810	1 6 .		
74	19.12	115	0.86	2800	1 8 .		
68	20.61	123	0.82	2800	2 0 .		
64	22.11	117	0.80	2800	2 2 .		
164	8.59	54	2.51	5286	C 0 4 2 1 8 . 0 _ M _ _ _ _ 1 . 1 A - -	26.5	90S
121	11.61	72	2.04	5279	1 1 .		
107	13.20	82	1.87	5280	1 2 .		
94	14.95	92	1.71	5275	1 4 .		
86	16.36	91	1.57	5275	1 6 .		
74	19.12	117	1.43	5275	1 8 .		
68	20.61	125	1.36	5275	2 0 .		
64	22.11	121	1.28	5275	2 2 .		
56	25.14	136	1.18	5268	2 5 .		
50	28.48	153	1.09	5268	2 8 .		
42	33.71	201	0.95	5254	3 2 .		
39	36.43	193	0.91	5260	3 6 .		
36	39.26	206	0.87	5260	4 0 .		
170	8.31	53	3.88	7440	C 0 5 2 1 8 . 0 _ M _ _ _ _ 1 . 1 A - -	30.5	90S
121	11.66	74	3.20	7440	1 1 .		
110	12.85	81	3.02	7440	1 2 .		
97	14.59	92	2.80	7438	1 4 .		
88	16.09	93	3.41	7440	1 6 .		
76	18.53	116	2.42	7440	1 8 .		
67	21.05	131	2.25	7437	2 0 .		
62	22.56	128	2.68	7437	2 2 .		
57	24.86	140	2.50	7437	2 5 .		
50	28.24	158	2.29	7435	2 8 .		
43	32.55	199	1.71	7433	3 2 .		
39	35.86	197	1.91	7433	3 6 .		
35	40.74	222	1.74	7433	4 0 .		
30	46.84	284	1.34	7434	4 5 .		
28	50.93	307	1.27	7428	5 0 .		
25	55.45	297	1.40	7428	5 6 .		
22	63.00	333	1.28	7422	6 3 .		
19	73.37	434	0.88	7420	7 1 .		
16	90.67	470	1.02	7410	9 0 .		
14	98.57	504	0.95	7400	1 0 0		

NOTE:
Other output speeds are available using 2 & 8 pole motors. Please contact our Application Engineers

SERIES C SELECTION TABLE GEARED MOTORS

1.1 kW
4 POLE

N2 RPM	i	M2 Nm	Fm	N	Unit Designation	kg	
Output Speed	Ratio	Output Torque	Service Factor	Overhung Load	Column Entry 1 - 20 Spaces to be filled when entering order	Weight of Base Mount unit	Motor Size
67	20.96	137	3.86	11944	C 0 6 2 1 2 0 . _ M _ _ _ _ 1 . 1 A _ _	42.5	90S
56	25.11	149	3.97	11944	2 5 .		
50	28.18	167	3.65	11936	2 8 .		
42	33.48	216	2.88	11820	3 2 .		
39	35.79	208	3.05	11836	3 6 .		
35	40.57	235	2.77	11832	4 0 .		
30	47.32	302	2.30	11795	4 5 .		
28	50.52	322	2.20	11764	5 0 .		
25	55.71	317	2.20	11811	5 6 .		
22	64.80	364	1.98	11764	6 3 .		
19	73.92	463	1.64	11644	7 1 .		
17	80.94	506	1.20	11644	8 0 .		
15	91.58	503	1.52	11644	C 0 6 2 1 9 0 . _ M _ _ _ _ 1 . 1 A _ _	42.5	90S
14	97.78	534	1.43	11644	1 0 0		
13	110.57	680	0.93	11500	1 1 2		
14	103.86	637	1.20	11500	C 0 6 3 1 1 0 0 _ M _ _ _ _ 1 . 1 A _ _	47.5	90S
12	117.99	722	1.06	11400	1 1 8		
11	130.00	687	1.11	11500	1 3 2		
10	147.69	773	0.99	11500	1 5 0		
46	30.81	205	3.86	29049	C 0 7 2 1 3 2 . _ M _ _ _ _ 1 . 1 A _ _	84.5	90S
32	44.13	290	3.00	29166	4 5 .		
28	49.90	327	2.69	29166	5 0 .		
26	53.62	338	2.79	29168	5 6 .		
23	61.62	386	2.51	29152	6 3 .		
20	69.00	448	2.07	29152	7 1 .		
19	75.56	490	1.91	29136	8 0 .		
16	88.26	547	1.88	29133	9 0 .		
14	99.79	612	1.71	29133	1 0 0		
14	104.32	665	1.46	29133	1 1 2		
12	115.92	739	1.31	29100	1 2 5		
10	138.00	833	1.34	29084	1 4 0		
9.3	151.12	914	1.25	29084	1 6 0		
6.8	208.65	1234	0.97	29000	2 1 2		
6.1	231.83	1366	0.89	28900	2 5 0		
14	97.33	621	2.16	29097	C 0 7 3 1 1 0 0 _ M _ _ _ _ 1 . 1 A _ _	93.5	90S
12	113.20	718	1.87	29029	1 1 8		
11	125.04	749	1.47	29087	1 3 2		
10	141.75	839	1.33	29100	1 5 0		
16	87.29	546	3.88	41877	C 0 8 2 1 9 0 . _ M _ _ _ _ 1 . 1 A _ _	134.5	90S
14	98.53	612	3.53	41884	1 0 0		
12	117.89	756	3.77	41868	1 2 5		
10	139.29	851	2.71	41852	1 4 0		
9.2	153.00	932	2.52	41855	1 6 0		
6.9	204.75	1230	2.01	41810	2 1 2		
6.0	235.77	1409	1.79	41833	2 5 0		
9.0	156.45	952	2.85	41656	C 0 8 4 1 1 6 0 _ M _ _ _ _ 1 . 1 A _ _	150.5	90S
8.0	176.60	1069	2.66	41656	1 8 0		
6.4	219.96	1338	2.03	41656	2 1 2		
5.7	248.29	1503	1.89	41656	2 5 0		
5.1	276.74	1683	1.61	41656	2 8 0		
4.5	312.37	1891	1.50	41656	3 1 5		
4.0	351.44	2137	1.27	41656	3 6 0		
3.5	398.40	2421	1.12	41656	4 0 0		
3.1	449.70	2720	1.05	41656	4 5 0		
3.0	475.14	2886	0.94	41656	5 0 0		
2.6	547.09	3321	0.82	41656	5 6 0		
5.6	249.73	1485	3.76	53800	C 0 9 2 1 2 5 0 _ M _ _ _ _ 1 . 1 A _ _	197.5	90S
6.3	224.51	1396	3.42	53383	C 0 9 4 1 2 1 2 _ M _ _ _ _ 1 . 1 A _ _	218.5	90S
5.7	249.43	1544	3.12	53383	2 5 0		
5.0	282.46	1756	2.72	53383	2 8 0		
4.5	313.81	1942	2.48	53383	3 1 5		
3.9	358.71	2229	2.14	53383	3 6 0		
3.5	406.64	2526	1.89	53383	4 0 0		
3.1	451.77	2794	1.72	53383	4 5 0		
2.9	484.97	3010	1.59	53383	5 0 0		
2.5	558.41	3464	1.38	53383	5 6 0		
2.2	649.47	4025	1.19	53383	6 3 0		
1.9	726.65	4495	1.06	53383	7 1 0		
1.8	774.48	4794	1.00	53383	8 0 0		
1.5	917.87	5672	0.84	53383	9 0 0		

NOTE:
Other output speeds are available using 2 & 8 pole motors. Please contact our Application Engineers

SERIES C SELECTION TABLE GEARED MOTORS

1.1 kW
4 POLE

1.1 kW
6 POLE

N2 RPM	i	M2 Nm	Fm	N	Unit Designation	kg	
Output Speed	Ratio	Output Torque	Service Factor	Overhung Load	Column Entry 1 - 20 Spaces to be filled when entering order	Weight of Base Mount unit	Motor Size
2.8	495.31	3098	2.74	87299	C 1 0 4 1 5 0 0 _ M _ _ _ _ 1 . 1 A - -	336.5	90S
2.6	544.84	3407	2.49	87299	5 6 0		
2.3	626.07	3912	2.17	87299	6 3 0		
2.0	709.95	4428	1.91	87299	7 1 0		
1.8	783.06	4885	1.73	87299	8 0 0		
1.6	896.77	5589	1.52	87299	9 0 0		
1.4	1013.93	6311	1.34	87299	1 0 C		
1.3	1126.71	6983	1.19	87375	1 1 C		
1.2	1175.54	7304	1.16	87299	1 2 C		
1.0	1402.11	8690	0.98	87299	1 4 C		
0.88	1606.71	9836	0.87	87299	1 6 C		
108	8.59	80	1.10	2817	C 0 3 2 1 8 . 0 _ M _ _ _ _ 1 . 1 C - -	25.5	90L
80	11.61	106	0.90	2803	1 1 .		
70	13.20	121	0.82	2796	1 2 .		
108	8.59	81	1.83	5280	C 0 4 2 1 8 . 0 _ M _ _ _ _ 1 . 1 C - -	27.5	90L
80	11.61	109	1.49	5271	1 1 .		
70	13.20	123	1.36	5266	1 2 .		
62	14.95	139	1.24	5266	1 4 .		
57	16.36	135	1.17	5266	1 6 .		
48	19.12	177	1.03	5261	1 8 .		
45	20.61	188	0.99	5254	2 0 .		
42	22.11	179	0.95	5254	2 2 .		
37	25.14	202	0.86	5254	2 5 .		
111	8.31	80	3.03	7440	C 0 5 2 1 8 . 0 _ M _ _ _ _ 1 . 1 C - -	31.5	90L
79	11.66	112	2.47	7440	1 1 .		
72	12.85	123	2.33	7440	1 2 .		
63	14.59	139	2.15	7440	1 4 .		
58	16.09	138	2.51	7440	1 6 .		
50	18.53	175	1.86	7436	1 8 .		
44	21.05	196	1.72	7432	2 0 .		
41	22.56	190	1.95	7436	2 2 .		
37	24.86	208	1.82	7432	2 5 .		
33	28.24	234	1.66	7428	2 8 .		
28	32.55	300	1.29	7420	3 2 .		
26	35.86	293	1.39	7420	3 6 .		
23	40.74	330	1.27	7416	4 0 .		
20	46.84	425	0.95	7407	4 5 .		
18	50.93	462	0.88	7401	5 0 .		
17	55.45	441	1.02	7407	5 6 .		
15	63.00	496	0.93	7401	6 3 .		
71	12.97	130	3.99	11928	C 0 6 2 1 1 2 . _ M _ _ _ _ 1 . 1 C - -	43.5	90L
64	14.56	145	3.71	11914	1 4 .		
50	18.49	183	3.20	11900	1 8 .		
44	20.96	207	2.95	11886	2 0 .		
41	22.40	200	3.11	11900	2 2 .		
37	25.11	223	2.85	11886	2 5 .		
33	28.18	248	2.62	11879	2 8 .		
28	33.48	326	2.17	11739	3 2 .		
26	35.79	310	2.21	11759	3 6 .		
23	40.57	349	2.01	11733	4 0 .		
20	47.32	455	1.68	11693	4 5 .		
18	50.52	483	1.59	11670	5 0 .		
17	55.71	470	1.60	11670	5 6 .		
14	64.80	539	1.42	11623	6 3 .		
13	73.92	699	1.09	11473	7 1 .		
11	80.94	757	0.91	11402	8 0 .		
10	91.58	747	1.02	11502	9 0 .		
9.5	97.78	794	0.96	11402	1 0 0		
30	30.81	309	2.78	29157	C 0 7 2 1 3 2 . _ M _ _ _ _ 1 . 1 C - -	85.5	90L
21	44.13	439	2.15	29139	4 5 .		
19	49.90	494	1.94	29119	5 0 .		
17	53.62	505	2.00	29116	5 6 .		
15	61.62	582	1.79	29116	6 3 .		
13	69.00	673	1.56	29088	7 1 .		
12	75.56	737	1.44	29061	8 0 .		
10	88.26	817	1.36	29070	9 0 .		
9.3	99.79	923	1.24	29070	1 0 0		
8.9	104.32	1004	1.09	29070	1 1 2		
8.0	115.92	1111	0.99	29006	1 2 5		
6.7	138.00	1256	0.95	29000	1 4 0		
6.1	151.12	1365	0.89	29000	1 6 0		
10	97.33	938	1.43	29011	C 0 7 3 1 1 0 0 _ M _ _ _ _ 1 . 1 C - -	94.5	90L
8.2	113.20	1084	1.24	28964	1 1 8		
7.4	125.04	1122	1.05	29000	1 3 2		
6.5	141.75	1279	0.95	28941	1 5 0		

NOTE:
Other output speeds are available using 2 & 8 pole motors. Please contact our Application Engineers

SERIES C SELECTION TABLE GEARED MOTORS

1.1 kW
6 POLE

N2 RPM	i	M2 Nm	Fm	N	Unit Designation	kg	
Output Speed	Ratio	Output Torque	Service Factor	Overhung Load	Column Entry 1 - 20 Spaces to be filled when entering order	Weight of Base Mount unit	Motor Size
12	76.50	754	3.77	41843	C 0 8 2 1 8 0 . _ M _ _ _ _ 1 . 1 C - -	135.5	90L
11	87.29	819	2.79	41859	9 0 .		
9.4	98.53	921	2.54	41844	1 0 0		
9.0	102.38	1000	3.04	41844	1 1 2		
7.8	117.89	1141	2.55	41860	1 2 5		
6.6	139.29	1281	1.94	41820	1 4 0		
6.0	153.00	1403	1.80	41820	1 6 0		
5.9	156.45	1458	1.86	41656	C 0 8 4 1 1 6 0 _ M _ _ _ _ 1 . 1 C - -	151.5	90L
5.2	176.60	1637	1.74	41656	1 8 0		
4.2	219.96	2048	1.33	41656	2 1 2		
3.7	248.29	2301	1.24	41656	2 5 0		
3.3	276.74	2574	1.05	41656	2 8 0		
3.0	312.37	2892	0.98	41656	3 1 5		
2.6	351.44	3265	0.83	41656	3 6 0		
7.7	119.38	1171	3.97	53755	C 0 9 2 1 1 2 5 _ M _ _ _ _ 1 . 1 C - -	198.5	90L
5.7	161.44	1474	3.78	53741	C 0 9 2 1 1 6 0 _ M _ _ _ _ 1 . 1 C - -	198.5	90L
4.2	222.08	1990	2.80	53713	2 1 2		
3.7	249.73	2227	2.51	53703	2 5 0		
5.8	159.68	1518	3.15	53383	C 0 9 4 1 1 6 0 _ M _ _ _ _ 1 . 1 C - -	219.5	90L
5.2	177.41	1679	2.87	53383	1 8 0		
4.1	224.51	2132	2.24	53383	2 1 2		
3.7	249.43	2360	2.04	53383	2 5 0		
3.3	282.46	2681	1.78	53383	2 8 0		
2.9	313.81	2967	1.62	53383	3 1 5		
2.6	358.71	3401	1.41	53383	3 6 0		
2.3	406.64	3853	1.24	53383	4 0 0		
2.0	451.77	4264	1.13	53383	4 5 0		
1.9	484.97	4590	1.04	53383	5 0 0		
1.7	558.41	5279	0.91	53383	5 6 0		
1.9	495.31	4726	1.79	87299	C 1 0 4 1 5 0 0 _ M _ _ _ _ 1 . 1 C - -	337.5	90L
1.7	544.84	5195	1.63	87299	5 6 0		
1.5	626.07	5963	1.42	87299	6 3 0		
1.3	709.95	6747	1.26	87299	7 1 0		
1.2	783.06	7441	1.14	87299	8 0 0		
1.0	896.77	8508	1.00	87299	9 0 0		
0.91	1013.93	9602	0.88	87299	1 0 C		

1.5 kW
4 POLE

165	8.59	72	1.12	2820	C 0 3 2 1 8 . 0 _ M _ _ _ _ 1 . 5 A - -	25.5	90L
122	11.61	96	0.91	2810	1 1 .		
108	13.20	109	0.83	2800	1 2 .		
165	8.59	73	1.85	5285	C 0 4 2 1 8 . 0 _ M _ _ _ _ 1 . 5 A - -	27.5	90L
122	11.61	98	1.51	5275	1 1 .		
108	13.20	111	1.38	5276	1 2 .		
95	14.95	125	1.27	5270	1 4 .		
87	16.36	123	1.16	5270	1 6 .		
74	19.12	158	1.06	5270	1 8 .		
69	20.61	170	1.01	5270	2 0 .		
64	22.11	164	0.95	5270	2 2 .		
56	25.14	185	0.87	5260	2 5 .		
50	28.48	207	0.80	5260	2 8 .		
171	8.31	72	2.87	7440	C 0 5 2 1 8 . 0 _ M _ _ _ _ 1 . 5 A - -	31.5	90L
122	11.66	100	2.36	7440	1 1 .		
111	12.85	110	2.23	7440	1 2 .		
97	14.59	125	2.07	7437	1 4 .		
88	16.09	126	2.52	7440	1 6 .		
77	18.53	157	1.79	7440	1 8 .		
67	21.05	177	1.66	7436	2 0 .		
63	22.56	174	1.98	7436	2 2 .		
57	24.86	190	1.85	7436	2 5 .		
50	28.24	214	1.69	7432	2 8 .		
44	32.55	270	1.26	7428	3 2 .		
40	35.86	268	1.41	7428	3 6 .		
35	40.74	301	1.29	7428	4 0 .		
30	46.84	384	0.99	7430	4 5 .		
28	50.93	415	0.94	7420	5 0 .		
26	55.45	402	1.03	7420	5 6 .		
23	63.00	451	0.95	7410	6 3 .		

NOTE:
Other output speeds are available using 2 & 8 pole motors. Please contact our Application Engineers

SERIES C SELECTION TABLE GEARED MOTORS

1.5 kW
4 POLE

N2 RPM	i	M2 Nm	Fm	N	Unit Designation	kg	
Output Speed	Ratio	Output Torque	Service Factor	Overhung Load	Column Entry 1 - 20 Spaces to be filled when entering order	Weight of Base Mount unit	Motor Size
109	12.97	116	3.82	11945	C 0 6 2 1 1 2 . _ M _ _ _ _ 1 . 5 A - -	43.5	90L
98	14.56	130	3.56	11923	1 4 .		
89	15.93	131	3.94	11942	1 6 .		
77	18.49	164	3.08	11904	1 8 .		
68	20.96	186	2.85	11904	2 0 .		
63	22.40	182	3.18	11904	2 2 .		
57	25.11	202	2.93	11904	2 5 .		
50	28.18	226	2.70	11889	2 8 .		
42	33.48	292	2.13	11762	3 2 .		
40	35.79	282	2.25	11789	3 6 .		
35	40.57	318	2.04	11783	4 0 .		
30	47.32	409	1.70	11712	4 5 .		
28	50.52	436	1.63	11668	5 0 .		
25	55.71	429	1.63	11734	5 6 .		
22	64.80	493	1.46	11668	6 3 .		
19	73.92	627	1.21	11500	7 1 .		
18	80.94	685	0.89	11500	8 0 .		
16	91.58	682	1.12	11500	9 0 .		
15	97.78	724	1.06	11500	1 0 0		
46	30.81	278	2.85	28940	C 0 7 2 1 3 2 . _ M _ _ _ _ 1 . 5 A - -	85.5	90L
32	44.13	393	2.21	29142	4 5 .		
28	49.90	443	1.98	29142	5 0 .		
26	53.62	458	2.06	29144	5 6 .		
23	61.62	523	1.85	29117	C 0 7 2 1 6 3 . _ M _ _ _ _ 1 . 5 A - -	85.5	90L
21	69.00	606	1.53	29117	7 1 .		
19	75.56	663	1.41	29089	8 0 .		
16	88.26	740	1.39	29084	9 0 .		
14	99.79	829	1.27	29084	1 0 0		
14	104.32	901	1.08	29084	1 1 2		
12	115.92	1000	0.97	29027	1 2 5		
10	138.00	1128	0.99	29000	1 4 0		
9.4	151.12	1238	0.92	29000	1 6 0		
15	97.33	841	1.59	29056	C 0 7 3 1 1 0 0 _ M _ _ _ _ 1 . 5 A - -	94.5	90L
13	113.20	972	1.38	28960	1 1 8		
11	125.04	1014	1.08	29006	1 3 2		
10	141.75	1136	0.99	29027	1 5 0		
8.9	159.98	1359	0.99	28868	1 6 0		
8.3	170.81	1445	0.93	28900	1 8 0		
19	76.50	677	3.78	41845	C 0 8 2 1 8 0 . _ M _ _ _ _ 1 . 5 A - -	135.5	90L
16	87.29	739	2.87	41861	9 0 .		
14	98.53	829	2.60	41872	1 0 0		
14	102.38	897	3.08	41872	1 1 2		
12	117.89	1024	2.78	41844	1 2 5		
10	139.29	1152	2.00	41817	1 4 0		
9.3	153.00	1262	1.86	41822	1 6 0		
6.9	204.75	1666	1.48	41744	2 1 2		
6.0	235.77	1908	1.33	41784	2 5 0		
9.1	156.45	1290	2.11	41656	C 0 8 4 1 1 6 0 _ M _ _ _ _ 1 . 5 A - -	151.5	90L
8.0	176.60	1448	1.96	41656	1 8 0		
6.5	219.96	1812	1.50	41656	2 1 2		
5.7	248.29	2035	1.40	41656	2 5 0		
5.1	276.74	2279	1.19	41656	2 8 0		
4.5	312.37	2560	1.11	41656	3 1 5		
4.0	351.44	2893	0.94	41656	3 6 0		
3.6	398.40	3279	0.83	41656	4 0 0		
6.4	222.08	1803	3.09	53736	C 0 9 2 1 2 1 2 _ M _ _ _ _ 1 . 5 A - -	198.5	90L
5.7	249.73	2011	2.77	53727	2 5 0		
8.9	159.68	1345	3.55	53383	C 0 9 4 1 1 6 0 _ M _ _ _ _ 1 . 5 A - -	219.5	90L
8.0	177.41	1488	3.24	53383	1 8 0		
6.3	224.51	1891	2.53	53383	2 1 2		
5.7	249.43	2091	2.30	53383	2 5 0		
5.0	282.46	2378	2.01	53383	2 8 0		
4.5	313.81	2630	1.83	53383	3 1 5		
4.0	358.71	3018	1.58	53383	3 6 0		
3.5	406.64	3420	1.40	53383	4 0 0		
3.1	451.77	3783	1.27	53383	4 5 0		
2.9	484.97	4076	1.17	53383	5 0 0		
2.5	558.41	4690	1.02	53383	5 6 0		
2.2	649.47	5450	0.88	53383	6 3 0		
2.9	495.31	4195	2.02	87299	C 1 0 4 1 5 0 0 _ M _ _ _ _ 1 . 5 A - -	337.5	90L
2.6	544.84	4613	1.84	87299	5 6 0		
2.3	626.07	5297	1.60	87299	6 3 0		
2.0	709.95	5996	1.41	87299	7 1 0		
1.8	783.06	6615	1.28	87299	8 0 0		
1.6	896.77	7568	1.12	87299	9 0 0		
1.4	1013.93	8545	0.99	87299	1 0 C		
1.3	1126.71	9455	0.88	87375	1 1 C		
1.2	1175.54	9890	0.86	87299	1 2 C		

NOTE:
Other output speeds are available using 2 & 8 pole motors. Please contact our Application Engineers

SERIES C SELECTION TABLE GEARED MOTORS

1.5 kW
6 POLE

N2 RPM	i	M2 Nm	Fm	N	Unit Designation	kg	
Output Speed	Ratio	Output Torque	Service Factor	Overhung Load	Column Entry [1] - [20] Spaces to be filled when entering order	Weight of Base Mount unit	Motor Size
108	8.59	109	0.81	2800	C 0 3 2 1 8 . 0 _ M _ _ _ 1 . 5 C - -	35	100L
108	8.59	111	1.34	5276	C 0 4 2 1 8 . 0 _ M _ _ _ 1 . 5 C - -	37	100L
80	11.61	149	1.09	5263	1 1 .		
70	13.20	167	1.00	5256	1 2 .		
62	14.95	189	0.91	5256	1 4 .		
57	16.36	184	0.85	5256	1 6 .		
111	8.31	110	2.22	7440	C 0 5 2 1 8 . 0 _ M _ _ _ 1 . 5 C - -	41	100L
79	11.66	152	1.81	7440	1 1 .		
72	12.85	167	1.71	7440	1 2 .		
63	14.59	189	1.58	7440	1 4 .		
58	16.09	189	1.84	7440	1 6 .		
50	18.53	238	1.36	7433	1 8 .		
44	21.05	268	1.26	7427	2 0 .		
41	22.56	259	1.43	7433	2 2 .		
37	24.86	284	1.34	7427	2 5 .		
33	28.24	320	1.21	7421	2 8 .		
28	32.55	409	0.94	7409	3 2 .		
26	35.86	400	1.02	7409	3 6 .		
23	40.74	450	0.93	7402	4 0 .		
112	8.23	114	3.85	11933	C 0 6 2 1 8 . 0 _ M _ _ _ 1 . 5 C - -	53	100L
80	11.57	158	3.13	11911	1 1 .		
71	12.97	177	2.92	11889	1 2 .		
64	14.56	198	2.72	11867	1 4 .		
58	15.93	198	2.94	11889	1 6 .		
50	18.49	250	2.34	11845	1 8 .		
44	20.96	282	2.16	11823	2 0 .		
41	22.40	273	2.28	11845	2 2 .		
37	25.11	304	2.09	11823	2 5 .		
33	28.18	339	1.92	11813	2 8 .		
28	33.48	445	1.59	11650	3 2 .		
26	35.79	423	1.62	11682	3 6 .		
23	40.57	477	1.48	11642	4 0 .		
20	47.32	621	1.23	11568	4 5 .		
18	50.52	658	1.16	11535	5 0 .		
17	55.71	642	1.18	11535	5 6 .		
14	64.80	736	1.04	11469	6 3 .		
13	73.92	953	0.80	11300	7 1 .		
59	15.80	214	3.73	29200	C 0 7 2 1 1 6 . _ M _ _ _ 1 . 5 C - -	95	100L
46	20.07	278	3.80	29200	2 0 .		
42	21.89	293	2.93	29200	2 2 .		
38	24.59	328	2.69	29200	2 5 .		
34	27.03	359	2.50	29200	2 8 .		
30	30.81	422	2.04	29133	3 2 .		
26	35.31	464	2.04	29200	3 6 .		
23	40.15	524	1.84	29200	4 0 .		
21	44.13	598	1.58	29106	4 5 .		
19	49.90	674	1.42	29075	5 0 .		
17	53.62	689	1.46	29071	5 6 .		
15	61.62	793	1.31	29071	6 3 .		
13	69.00	918	1.14	29028	7 1 .		
12	75.56	1006	1.05	28985	8 0 .		
10	88.26	1114	1.00	29000	9 0 .		
9.3	99.79	1258	0.91	29000	1 0 0 .		
8.9	104.32	1369	0.80	29000	1 1 2 .		
10	97.33	1279	1.05	28934	C 0 7 3 1 1 0 0 _ M _ _ _ 1 . 5 C - -	104	100L
8.2	113.20	1479	0.91	28868	1 1 8 .		
23	39.51	524	3.80	41900	C 0 8 2 1 4 0 . _ M _ _ _ 1 . 5 C - -	145	100L
19	49.26	672	3.78	41836	5 0 .		
17	54.60	713	2.94	41900	5 6 .		
15	63.56	824	2.61	41900	6 3 .		
13	69.64	938	2.96	41811	7 1 .		
12	76.50	1028	2.76	41811	8 0 .		
11	87.29	1117	2.05	41837	9 0 .		
9.4	98.53	1256	1.86	41814	1 0 0 .		
9.0	102.38	1363	2.23	41814	1 1 2 .		
7.8	117.89	1556	1.87	41838	1 2 5 .		
6.6	139.29	1746	1.42	41776	1 4 0 .		
6.0	153.00	1913	1.32	41776	1 6 0 .		
4.5	204.75	2527	1.04	41700	2 1 2 .		
3.9	235.77	2872	0.91	41700	2 5 0 .		
5.9	156.45	1988	1.37	41656	C 0 8 4 1 1 6 0 _ M _ _ _ 1 . 5 C - -	161	100L
5.2	176.60	2233	1.27	41656	1 8 0 .		
4.2	219.96	2792	0.97	41656	2 1 2 .		
3.7	248.29	3137	0.91	41656	2 5 0 .		
8.7	106.17	1432	3.22	53721	C 0 9 2 1 1 1 2 _ M _ _ _ 1 . 5 C - -	208	100L
7.7	119.38	1597	2.91	53705	1 2 5 .		
6.3	146.23	1828	3.05	53689	1 4 0 .		
5.7	161.44	2010	2.78	53673	1 6 0 .		
4.2	222.08	2714	2.06	53615	2 1 2 .		
3.7	249.73	3037	1.84	53592	2 5 0 .		

NOTE:

Other output speeds are available using 2 & 8 pole motors. Please contact our Application Engineers

SERIES C SELECTION TABLE GEARED MOTORS

1.5 kW
6 POLE

2.2 kW
4 POLE

NOTE:
Other output speeds are available using 2 & 8 pole motors. Please contact our Application Engineers

N2 RPM	i	M2 Nm	Fm	N	Unit Designation	kg	
Output Speed	Ratio	Output Torque	Service Factor	Overhung Load	Column Entry 1 - 20 Spaces to be filled when entering order	Weight of Base Mount unit	Motor Size
5.8	159.68	2070	2.31	53383	C 0 9 4 1 1 6 0 _ M _ _ _ _ 1 . 5 C - -	229	100L
5.2	177.41	2290	2.10	53383	1 8 0		
4.1	224.51	2908	1.64	53383	2 1 2		
3.7	249.43	3218	1.50	53383	2 5 0		
3.3	282.46	3656	1.31	53383	2 8 0		
2.9	313.81	4046	1.19	53383	3 1 5		
2.6	358.71	4638	1.03	53383	3 6 0		
2.3	406.64	5255	0.91	53383	4 0 0		
2.0	451.77	5815	0.83	53383	4 5 0		
5.5	166.73	2139	3.98	87400	C 1 0 2 1 1 6 0 _ M _ _ _ _ 1 . 5 C - -	305	100L
4.1	225.50	2845	3.10	87400	2 1 2		
3.8	242.27	3044	2.90	87400	2 5 0		
1.9	495.31	6445	1.31	87299	C 1 0 4 1 5 0 0 _ M _ _ _ _ 1 . 5 C - -	347	100L
1.7	544.84	7085	1.20	87299	5 6 0		
1.5	626.07	8131	1.04	87299	6 3 0		
1.3	709.95	9200	0.92	87299	7 1 0		
1.2	783.06	10147	0.84	87299	8 0 0		
166	8.59	107	1.27	5282	C 0 4 2 1 8 . 0 _ M _ _ _ _ 2 . 2 A - -	37	100L
123	11.61	144	1.03	5268	1 1 .		
108	13.20	163	0.94	5270	1 2 .		
95	14.95	183	0.87	5260	1 4 .		
171	8.31	106	1.96	7440	C 0 5 2 1 8 . 0 _ M _ _ _ _ 2 . 2 A - -	41	100L
122	11.66	147	1.62	7440	1 1 .		
111	12.85	161	1.53	7440	1 2 .		
98	14.59	182	1.42	7435	1 4 .		
89	16.09	185	1.72	7440	1 6 .		
77	18.53	230	1.22	7440	1 8 .		
68	21.05	259	1.13	7433	2 0 .		
63	22.56	254	1.35	7433	2 2 .		
57	24.86	278	1.26	7433	2 5 .		
50	28.24	312	1.16	7426	2 8 .		
44	32.55	395	0.86	7420	3 2 .		
40	35.86	391	0.96	7420	3 6 .		
35	40.74	440	0.88	7420	4 0 .		
173	8.23	109	3.40	11928	C 0 6 2 1 8 . 0 _ M _ _ _ _ 2 . 2 A - -	53	100L
123	11.57	152	2.80	11905	1 1 .		
110	12.97	170	2.61	11905	1 2 .		
98	14.56	191	2.44	11866	1 4 .		
89	15.93	191	2.69	11900	1 6 .		
77	18.49	240	2.11	11833	1 8 .		
68	20.96	272	1.95	11833	2 0 .		
64	22.40	266	2.18	11833	2 2 .		
57	25.11	296	2.01	11833	2 5 .		
51	28.18	331	1.84	11808	2 8 .		
43	33.48	427	1.46	11660	3 2 .		
40	35.79	413	1.54	11708	3 6 .		
35	40.57	465	1.40	11697	4 0 .		
30	47.32	598	1.16	11566	4 5 .		
28	50.52	637	1.11	11500	5 0 .		
26	55.71	627	1.11	11600	5 6 .		
22	64.80	720	1.00	11500	6 3 .		
90	15.80	205	3.49	27500	C 0 7 2 1 1 6 . _ M _ _ _ _ 2 . 2 A - -	95	100L
81	17.66	237	3.70	28200	1 8 .		
71	20.07	269	3.42	29200	2 0 .		
65	21.89	282	2.77	29200	2 2 .		
58	24.59	315	2.54	29200	2 5 .		
53	27.03	347	2.37	29200	2 8 .		
46	30.81	406	1.95	28748	3 2 .		
40	35.31	448	1.94	29200	3 6 .		
35	40.15	507	1.76	29200	4 0 .		
32	44.13	575	1.51	29100	4 5 .		
29	49.90	648	1.36	29100	5 0 .		
27	53.62	670	1.41	29104	5 6 .		
23	61.62	764	1.27	29056	6 3 .		
21	69.00	886	1.05	29056	7 1 .		
19	75.56	970	0.96	29008	8 0 .		
16	88.26	1082	0.95	29000	9 0 .		
14	99.79	1211	0.87	29000	1 0 0		
15	97.33	1229	1.09	28983	C 0 7 3 1 1 0 0 _ M _ _ _ _ 2 . 2 A - -	104	100L
13	113.20	1421	0.94	28838	1 1 8		

SERIES C SELECTION TABLE GEARED MOTORS

2.2 kW
4 POLE

N2 RPM	i	M2 Nm	Fm	N	Unit Designation	kg	
Output Speed	Ratio	Output Torque	Service Factor	Overhung Load	Column Entry 1 - 20 Spaces to be filled when entering order	Weight of Base Mount unit	Motor Size
40	35.20	453	3.97	41900	C 0 8 2 1 3 6 . _ M _ - _ _ 2 . 2 A -	145	100L
36	39.51	506	3.64	41900	4 0 .		
33	43.64	576	3.77	41063	4 5 .		
29	49.26	646	3.48	41638	5 0 .		
26	54.60	690	2.84	41900	5 6 .		
22	63.56	797	2.52	41900	6 3 .		
20	69.64	901	2.76	41828	7 1 .		
19	76.50	989	2.59	41805	8 0 .		
16	87.29	1081	1.96	41833	9 0 .		
14	98.53	1211	1.78	41852	1 0 0		
14	102.38	1311	2.10	41852	1 1 2		
12	117.89	1497	1.90	41804	1 2 5		
10	139.29	1684	1.37	41756	1 4 0		
9.3	153.00	1845	1.27	41765	1 6 0		
7.0	204.75	2435	1.01	41630	2 1 2		
6.0	235.77	2789	0.91	41700	2 5 0		
9.1	156.45	1885	1.44	41656	C 0 8 4 1 1 6 0 _ M _ - _ _ 2 . 2 A -	161	100L
8.1	176.60	2117	1.34	41656	1 8 0		
6.5	219.96	2649	1.03	41656	2 1 2		
5.7	248.29	2975	0.96	41656	2 5 0		
5.1	276.74	3332	0.82	41656	2 8 0		
14	103.53	1280	3.79	53722	C 0 9 2 1 1 0 0 _ M _ - _ _ 2 . 2 A -	208	100L
13	106.17	1376	3.23	53731	1 1 2		
12	119.38	1539	2.92	53714	1 2 5		
10	146.23	1772	2.98	53696	1 4 0		
8.8	161.44	1950	2.78	53679	1 6 0		
6.4	222.08	2635	2.12	53625	2 1 2		
5.7	249.73	2939	1.90	53600	2 5 0		
8.9	159.68	1966	2.43	53383	C 0 9 4 1 1 6 0 _ M _ - _ _ 2 . 2 A -	229	100L
8.0	177.41	2175	2.21	53383	1 8 0		
6.3	224.51	2763	1.73	53383	2 1 2		
5.7	249.43	3057	1.58	53383	2 5 0		
5.0	282.46	3475	1.38	53383	2 8 0		
4.5	313.81	3844	1.25	53383	3 1 5		
4.0	358.71	4411	1.08	53383	3 6 0		
3.5	406.64	4998	0.96	53383	4 0 0		
3.2	451.77	5530	0.87	53383	4 5 0		
2.9	484.97	5957	0.80	53383	5 0 0		
8.5	166.73	2067	3.85	87400	C 1 0 2 1 1 6 0 _ M _ - _ _ 2 . 2 A -	305	100L
6.3	225.50	2755	3.04	87400	2 1 2		
5.9	242.27	2948	2.87	87400	2 5 0		
2.9	495.31	6132	1.38	87299	C 1 0 4 1 5 0 0 _ M _ - _ _ 2 . 2 A -	347	100L
2.6	544.84	6742	1.26	87299	5 6 0		
2.3	626.07	7741	1.09	87299	6 3 0		
2.0	709.95	8763	0.97	87299	7 1 0		
1.8	783.06	9669	0.88	87299	8 0 0		

2.2 kW
6 POLE

111	8.59	159	0.94	5270	C 0 4 2 1 8 . 0 _ M _ - _ _ 2 . 2 C -	45	112M
114	8.31	157	1.56	7440	C 0 5 2 1 8 . 0 _ M _ - _ _ 2 . 2 C -	49	112M
81	11.66	218	1.27	7440	1 1 .		
74	12.85	239	1.20	7440	1 2 .		
65	14.59	271	1.11	7440	1 4 .		
59	16.09	270	1.29	7440	1 6 .		
51	18.53	340	0.95	7430	1 8 .		
45	21.05	383	0.88	7420	2 0 .		
42	22.56	370	1.00	7430	2 2 .		
38	24.86	406	0.94	7420	2 5 .		
34	28.24	457	0.85	7410	2 8 .		
115	8.23	162	2.69	11892	C 0 6 2 1 8 . 0 _ M _ - _ _ 2 . 2 C -	65	112M
82	11.57	226	2.20	11857	1 1 .		
73	12.97	253	2.05	11821	1 2 .		
65	14.56	283	1.90	11785	1 4 .		
60	15.93	283	2.06	11821	1 6 .		
51	18.49	357	1.64	11750	1 8 .		
45	20.96	403	1.52	11714	2 0 .		
42	22.40	390	1.60	11750	2 2 .		
38	25.11	435	1.46	11714	2 5 .		
34	28.18	484	1.34	11697	2 8 .		
28	33.48	635	1.12	11496	3 2 .		
27	35.79	605	1.13	11547	3 6 .		
23	40.57	681	1.03	11482	4 0 .		
20	47.32	886	0.86	11350	4 5 .		
19	50.52	940	0.81	11300	5 0 .		
17	55.71	917	0.82	11300	5 6 .		

NOTE:
Other output speeds are available using 2 & 8 pole motors. Please contact our Application Engineers

SERIES C SELECTION TABLE GEARED MOTORS

2.2 kW
6 POLE

N2 RPM	i	M2 Nm	Fm	N	Unit Designation	kg	
Output Speed	Ratio	Output Torque	Service Factor	Overhung Load	Column Entry 1 - 20 Spaces to be filled when entering order	Weight of Base Mount unit	Motor Size
120	7.90	160	3.84	24856	C 0 7 2 1 8 . 0 _ M _ - _ _ 2 . 2 C - -	109	112M
87	10.94	221	3.84	26975	1 1 .		
77	12.29	248	3.61	27838	1 2 .		
70	13.52	272	3.41	28591	1 4 .		
60	15.80	305	2.61	28978	1 6 .		
54	17.66	353	2.89	28908	1 8 .		
47	20.07	398	2.66	28966	2 0 .		
43	21.89	419	2.05	29165	2 2 .		
39	24.59	468	1.88	29165	2 5 .		
35	27.03	513	1.75	29165	C 0 7 2 1 2 8 . _ M _ - _ _ 2 . 2 C - -	109	112M
31	30.81	603	1.43	29092	3 2 .		
27	35.31	663	1.43	29144	3 6 .		
24	40.15	749	1.29	29116	4 0 .		
22	44.13	854	1.11	29048	4 5 .		
19	49.90	963	0.99	28998	5 0 .		
18	53.62	984	1.03	28991	5 6 .		
15	61.62	1133	0.92	28991	6 3 .		
14	69.00	1311	0.80	28921	7 1 .		
39	24.47	474	3.84	41597	C 0 8 2 1 2 5 . _ M _ - _ _ 2 . 2 C - -	152	112M
35	27.22	524	3.54	41795	2 8 .		
30	31.78	626	3.56	41748	3 2 .		
27	35.20	670	2.91	41888	3 6 .		
24	39.51	748	2.66	41876	4 0 .		
22	43.64	855	2.87	41848	4 5 .		
19	49.26	960	2.64	41797	5 0 .		
17	54.60	1019	2.06	41865	5 6 .		
15	63.56	1177	1.83	41847	6 3 .		
14	69.64	1340	2.07	41757	7 1 .		
12	76.50	1468	1.93	41757	8 0 .		
11	87.29	1595	1.43	41799	9 0 .		
10	98.53	1793	1.30	41760	1 0 0		
9.3	102.38	1947	1.56	41760	1 1 2		
8.1	117.89	2223	1.31	41800	1 2 5		
6.8	139.29	2494	0.99	41700	1 4 0		
6.2	153.00	2732	0.92	41700	1 6 0		
6.1	156.45	2839	0.96	41656	C 0 8 4 1 1 6 0 _ M _ - _ _ 2 . 2 C - -	175	112M
5.4	176.60	3189	0.89	41656	1 8 0		
14	69.91	1363	3.26	53714	C 0 9 2 1 7 1 . _ M _ - _ _ 2 . 2 C - -	215	112M
12	77.18	1502	2.98	53692	8 0 .		
10	93.18	1703	3.08	53671	9 0 .		
9.2	103.53	1883	2.86	53649	1 0 0		
8.9	106.17	2045	2.25	53647	1 1 2		
8.0	119.38	2282	2.04	53616	1 2 5		
6.5	146.23	2611	2.14	53586	1 4 0		
5.9	161.44	2871	1.94	53555	1 6 0		
4.3	222.08	3876	1.44	53443	2 1 2		
3.8	249.73	4337	1.29	53398	2 5 0		
5.9	159.68	2956	1.62	53383	C 0 9 4 1 1 6 0 _ M _ - _ _ 2 . 2 C - -	243	112M
5.4	177.41	3270	1.47	53383	1 8 0		
4.2	224.51	4153	1.15	53383	2 1 2		
3.8	249.43	4596	1.05	53383	2 5 0		
3.4	282.46	5221	0.92	53383	2 8 0		
3.0	313.81	5778	0.83	53383	3 1 5		
8.2	115.82	2240	3.53	87400	C 1 0 2 1 1 2 5 _ M _ - _ _ 2 . 2 C - -	312	112M
6.6	144.71	2668	3.12	87376	1 4 0		
5.7	166.73	3055	2.79	87365	1 6 0		
4.2	225.50	4064	2.17	87347	2 1 2		
3.9	242.27	4347	2.03	87347	2 5 0		
1.9	495.31	9204	0.92	87299	C 1 0 4 1 5 0 0 _ M _ - _ _ 2 . 2 C - -	361	112M
1.7	544.84	10117	0.84	87299	5 6 0		

NOTE:
Other output speeds are available using 2 & 8 pole motors. Please contact our Application Engineers

SERIES C SELECTION TABLE GEARED MOTORS

3.0 kW
4 POLE

N2 RPM	i	M2 Nm	Fm	N	Unit Designation	kg	
Output Speed	Ratio	Output Torque	Service Factor	Overhung Load	Column Entry 1 - 20 Spaces to be filled when entering order	Weight of Base Mount unit	Motor Size
166	8.59	147	0.93	5280	C 0 4 2 1 8 . 0 _ M _ _ _ 3 . 0 A - -	37	100L
171	8.31	145	1.44	7440	C 0 5 2 1 8 . 0 _ M _ _ _ 3 . 0 A - -	41	100L
122	11.66	200	1.19	7440	1 1 .		
111	12.85	220	1.12	7440	1 2 .		
98	14.59	249	1.04	7432	1 4 .		
89	16.09	253	1.26	7440	1 6 .		
77	18.53	314	0.90	7440	1 8 .		
68	21.05	354	0.83	7430	2 0 .		
63	22.56	347	0.99	7430	2 2 .		
57	24.86	379	0.93	7430	2 5 .		
50	28.24	426	0.85	7420	2 8 .		
173	8.23	149	2.50	11894	C 0 6 2 1 8 . 0 _ M _ _ _ 3 . 0 A - -	53	100L
123	11.57	208	2.05	11858	1 1 .		
110	12.97	232	1.92	11858	1 2 .		
98	14.56	260	1.79	11802	1 4 .		
89	15.93	261	1.98	11851	1 6 .		
77	18.49	328	1.55	11752	1 8 .		
68	20.96	370	1.43	11752	2 0 .		
64	22.40	362	1.60	11752	2 2 .		
57	25.11	403	1.47	11752	2 5 .		
51	28.18	451	1.35	11715	2 8 .		
43	33.48	583	1.07	11544	3 2 .		
40	35.79	563	1.13	11615	3 6 .		
35	40.57	634	1.03	11600	C 0 6 2 1 4 0 _ M _ _ _ 3 . 0 A - -	53	100L
30	47.32	815	0.85	11400	4 5 .		
130	10.94	201	3.64	24654	C 0 7 2 1 1 1 _ M _ _ _ 3 . 0 A - -	95	100L
116	12.29	227	3.37	25318	1 2 .		
105	13.52	249	3.19	25990	1 4 .		
90	15.80	279	2.56	27218	1 6 .		
81	17.66	323	2.72	27800	1 8 .		
71	20.07	367	2.51	28732	2 0 .		
65	21.89	385	2.03	28898	2 2 .		
58	24.59	430	1.86	28943	2 5 .		
53	27.03	473	1.74	29018	2 8 .		
46	30.81	554	1.43	28530	3 2 .		
40	35.31	611	1.42	29151	3 6 .		
35	40.15	691	1.29	29151	4 0 .		
32	44.13	785	1.11	29051	4 5 .		
29	49.90	883	1.00	29051	5 0 .		
27	53.62	913	1.04	29057	5 6 .		
23	61.62	1042	0.93	28986	6 3 .		
58	24.47	434	3.80	38856	C 0 8 2 1 2 5 _ M _ _ _ 3 . 0 A - -	145	100L
52	27.22	480	3.54	39518	2 8 .		
45	31.78	577	3.37	40736	3 2 .		
40	35.20	618	2.91	41500	3 6 .		
36	39.51	690	2.67	41563	4 0 .		
33	43.64	785	2.76	40657	4 5 .		
29	49.26	881	2.55	41512	5 0 .		
26	54.60	942	2.08	41884	5 6 .		
22	63.56	1087	1.85	41869	6 3 .		
20	69.64	1229	2.02	41794	7 1 .		
19	76.50	1349	1.90	41758	8 0 .		
16	87.29	1474	1.44	41801	9 0 .		
14	98.53	1652	1.31	41828	1 0 0		
14	102.38	1788	1.54	41828	1 1 2		
12	117.89	2042	1.40	41757	1 2 5		
10	139.29	2296	1.01	41686	1 4 0		
9.3	153.00	2517	0.93	41700	1 6 0		
9.1	156.45	2570	1.06	41656	C 0 8 4 1 1 6 0 _ M _ _ _ 3 . 0 A - -	161	100L
8.1	176.60	2887	0.99	41656	1 8 0		
20	69.91	1250	3.41	53723	C 0 9 2 1 7 1 . _ M _ _ _ 3 . 0 A - -	208	100L
18	77.18	1380	3.12	53704	8 0 .		
15	93.18	1578	2.98	53684	9 0 .		
14	103.53	1745	2.78	53665	1 0 0		
13	106.17	1877	2.37	53681	1 1 2		
12	119.38	2098	2.14	53651	1 2 5		
10	146.23	2417	2.19	53621	1 4 0		
8.8	161.44	2660	2.04	53592	1 6 0		
6.4	222.08	3593	1.55	53497	2 1 2		
5.7	249.73	4007	1.39	53454	2 5 0		
8.9	159.68	2681	1.78	53383	C 0 9 4 1 1 6 0 _ M _ _ _ 3 . 0 A - -	229	100L
8.0	177.41	2966	1.62	53383	1 8 0		
6.3	224.51	3769	1.27	53383	2 1 2		
5.7	249.43	4169	1.16	53383	2 5 0		
5.0	282.46	4739	1.01	53383	2 8 0		
4.5	313.81	5243	0.92	53383	3 1 5		

NOTE:
Other output speeds are available using 2 & 8 pole motors. Please contact our Application Engineers

SERIES C SELECTION TABLE GEARED MOTORS

3.0 kW
4 POLE

3.0 kW
6 POLE

N2 RPM	i	M2 Nm	Fm	N	Unit Designation	kg	
Output Speed	Ratio	Output Torque	Service Factor	Overhung Load	Column Entry 1 - 20 Spaces to be filled when entering order	Weight of Base Mount unit	Motor Size
12	115.82	2064	3.87	87400	C 1 0 2 1 1 2 5 _ M _ _ _ 3 . 0 A - -	305	100L
10	144.71	2462	3.15	87381	1 4 0		
8.5	166.73	2818	2.82	87372	1 6 0		
6.3	225.50	3757	2.23	87369	2 1 2		
5.9	242.27	4021	2.11	87369	2 5 0		
2.9	495.31	8361	1.01	87299	C 1 0 4 1 5 0 0 _ M _ _ _ 3 . 0 A - -	347	100L
2.6	544.84	9194	0.92	87299	5 6 0		
2.3	626.07	10557	0.80	87299	6 3 0		
116	8.23	221	1.99	11846	C 0 6 2 1 8 . 0 _ M _ _ _ 3 . 0 C - -	82	132S
83	11.57	307	1.62	11794	1 1 .		
74	12.97	343	1.51	11743	1 2 .		
66	14.56	384	1.40	11692	1 4 .		
60	15.93	384	1.52	11743	1 6 .		
52	18.49	484	1.21	11641	1 8 .		
46	20.96	547	1.12	11589	2 0 .		
43	22.40	530	1.18	11641	2 2 .		
38	25.11	590	1.08	11589	2 5 .		
34	28.18	657	0.99	11565	2 8 .		
29	33.48	862	0.82	11320	3 2 .		
27	35.79	820	0.84	11392	3 6 .		
121	7.90	217	2.83	24578	C 0 7 2 1 8 . 0 _ M _ _ _ 3 . 0 C - -	126	132S
87	10.94	300	2.83	26605	1 1 .		
78	12.29	336	2.66	27425	1 2 .		
71	13.52	369	2.51	28125	1 4 .		
60	15.80	414	1.92	28725	1 6 .		
54	17.66	479	2.13	28575	1 8 .		
48	20.07	539	1.96	28700	2 0 .		
44	21.89	568	1.51	29125	2 2 .		
39	24.59	635	1.39	29125	2 5 .		
35	27.03	696	1.29	29125	2 8 .		
31	30.81	818	1.05	29046	3 2 .		
27	35.31	899	1.05	29080	3 6 .		
24	40.15	1016	0.95	29020	4 0 .		
22	44.13	1159	0.82	28982	4 5 .		
61	15.54	414	3.91	37968	C 0 8 2 1 1 6 . _ M _ _ _ 3 . 0 C - -	169	132S
54	17.60	479	3.81	38900	1 8 .		
48	19.76	538	3.55	40105	2 0 .		
43	22.03	581	3.06	41142	2 2 .		
39	24.47	643	2.83	41252	2 5 .		
35	27.22	711	2.61	41675	2 8 .		
30	31.78	850	2.62	41575	3 2 .		
27	35.20	908	2.15	41875	3 6 .		
24	39.51	1015	1.96	41850	4 0 .		
22	43.64	1160	2.12	41826	4 5 .		
19	49.26	1302	1.95	41752	5 0 .		
17	54.60	1382	1.52	41825	5 6 .		
15	63.56	1596	1.35	41787	6 3 .		
14	69.64	1818	1.53	41694	7 1 .		
12	76.50	1991	1.43	41694	8 0 .		
11	87.29	2164	1.06	41755	9 0 .		
10	98.53	2433	0.96	41700	1 0 0		
9.3	102.38	2642	1.15	41700	1 1 2		
21	44.55	1195	3.55	53734	C 0 9 2 1 4 5 . _ M _ _ _ 3 . 0 C - -	232	132S
19	49.49	1326	3.23	53712	5 0 .		
14	69.91	1849	2.40	53666	7 1 .		
12	77.18	2037	2.20	53633	8 0 .		
10	93.18	2310	2.27	53600	9 0 .		
9.2	103.53	2555	2.11	53566	1 0 0		
9.0	106.17	2774	1.66	53563	1 1 2		
8.0	119.38	3095	1.50	53515	1 2 5		
6.5	146.23	3542	1.58	53468	1 4 0		
5.9	161.44	3895	1.43	53421	1 6 0		
4.3	222.08	5258	1.06	53246	2 1 2		
3.8	249.73	5883	0.95	53176	2 5 0		
6.0	159.68	4010	1.19	53383	C 0 9 4 1 1 6 0 _ M _ _ _ 3 . 0 C - -	260	132S
5.4	177.41	4437	1.09	53383	1 8 0		
4.3	224.51	5634	0.85	53383	2 1 2		
10	91.32	2328	3.30	87384	C 1 0 2 1 9 0 . _ M _ _ _ 3 . 0 C - -	329	132S
9.4	101.47	2575	3.04	87368	1 0 0		
8.9	107.80	2836	3.07	87400	1 1 2		
8.2	115.82	3038	2.60	87400	1 2 5		
6.6	144.71	3619	2.30	87350	1 4 0		
5.7	166.73	4144	2.06	87325	1 6 0		
4.2	225.50	5513	1.60	87287	2 1 2		
3.9	242.27	5897	1.50	87287	2 5 0		

NOTE:
Other output speeds are available using 2 & 8 pole motors. Please contact our Application Engineers

SERIES C SELECTION TABLE GEARED MOTORS

3.0 kW
6 POLE

4.0 kW
4 POLE

N2 RPM	i	M2 Nm	Fm	N	Unit Designation	kg			
Output Speed	Ratio	Output Torque	Service Factor	Overhung Load	Column Entry 1 - 20 Spaces to be filled when entering order	Weight of Base Mount unit	Motor Size		
5.9	160.55	4062	2.09	87299	C 1 0 4 1 1 6 0 _ M _ _ _ 3 . 0 C - -	378	132S		
5.4	178.41	4494	1.84	87375	1 8 0				
4.3	222.38	5623	1.51	87299	2 1 2				
3.9	247.12	6221	1.33	87375	2 5 0				
3.5	274.67	6942	1.22	87299	2 8 0				
3.1	305.22	7680	1.08	87375	3 1 5				
2.7	358.77	9058	0.94	87299	3 6 0				
2.3	407.90	10293	0.82	87299	4 0 0				
173	8.31	192	1.09	7440	C 0 5 2 1 8 . 0 _ M _ _ _ 4 . 0 A - -	49	112M		
123	11.66	265	0.90	7440	1 1 .				
112	12.85	291	0.85	7440	1 2 .				
174	8.23	197	1.89	11851	C 0 6 2 1 8 . 0 _ M _ _ _ 4 . 0 A - -	65	112M		
124	11.57	275	1.55	11801	1 1 .				
111	12.97	308	1.45	11801	1 2 .				
99	14.56	344	1.35	11721	1 4 .				
90	15.93	346	1.49	11790	1 6 .				
78	18.49	435	1.17	11651	1 8 .				
68	20.96	491	1.08	11651	2 0 .				
64	22.40	480	1.20	11651	2 2 .				
57	25.11	534	1.11	11651	2 5 .				
51	28.18	597	1.02	11600	2 8 .				
43	33.48	772	0.81	11400	3 2 .				
40	35.79	746	0.85	11500	3 6 .				
182	7.90	193	3.19	22778	C 0 7 2 1 8 . 0 _ M _ _ _ 4 . 0 A - -			109	112M
131	10.94	267	2.75	24347	1 1 .				
117	12.29	301	2.55	24965	1 2 .				
106	13.52	329	2.41	25604	1 4 .				
91	15.80	370	1.93	26865	1 6 .				
81	17.66	428	2.05	27300	1 8 .				
71	20.07	485	1.90	28147	2 0 .				
66	21.89	509	1.53	28520	2 2 .				
58	24.59	570	1.41	28622	2 5 .				
53	27.03	626	1.31	28792	2 8 .				
47	30.81	734	1.08	28256	3 2 .				
41	35.31	810	1.08	29090	3 6 .				
36	40.15	915	0.98	29090	4 0 .				
33	44.13	1039	0.84	28990	4 5 .				
92	15.54	369	3.76	34793	C 0 8 2 1 1 6 . _ M _ _ _ 4 . 0 A - -	152	112M		
82	17.60	431	3.66	35596	1 8 .				
73	19.76	483	3.41	36798	2 0 .				
65	22.03	519	3.04	37796	2 2 .				
59	24.47	574	2.87	38426	2 5 .				
53	27.22	636	2.67	39040	2 8 .				
45	31.78	765	2.55	40031	3 2 .				
41	35.20	819	2.20	41000	3 6 .				
36	39.51	913	2.01	41143	4 0 .				
33	43.64	1040	2.09	40150	4 5 .				
29	49.26	1167	1.93	41353	5 0 .				
26	54.60	1247	1.57	41866	5 6 .				
23	63.56	1440	1.40	41832	6 3 .				
21	69.64	1628	1.53	41751	7 1 .				
19	76.50	1787	1.43	41701	8 0 .				
16	87.29	1951	1.09	41760	9 0 .				
15	98.53	2188	0.99	41800	1 0 0				
14	102.38	2368	1.17	41800	1 1 2				
12	117.89	2704	1.05	41700	1 2 5				
32	44.55	1071	3.76	53733	C 0 9 2 1 4 5 . _ M _ _ _ 4 . 0 A - -	215	112M		
29	49.49	1189	3.44	53716	5 0 .				
21	69.91	1655	2.57	53682	7 1 .				
19	77.18	1827	2.35	53653	8 0 .				
15	93.18	2089	2.25	53624	9 0 .				
14	103.53	2311	2.10	53594	1 0 0				
14	106.17	2485	1.79	53618	1 1 2				
12	119.38	2779	1.62	53573	1 2 5				
10	146.23	3200	1.65	53528	1 4 0				
8.9	161.44	3521	1.54	53482	1 6 0				
6.5	222.08	4758	1.17	53338	2 1 2				
5.7	249.73	5306	1.05	53272	2 5 0				
9.0	159.68	3550	1.35	53383	C 0 9 4 1 1 6 0 _ M _ _ _ 4 . 0 A - -			243	112M
8.1	177.41	3927	1.23	53383	1 8 0				
6.4	224.51	4990	0.96	53383	2 1 2				
5.8	249.43	5519	0.87	53383	2 5 0				
16	91.32	2100	3.39	87400	C 1 0 2 1 9 0 . _ M _ _ _ 4 . 0 A - -	312	112M		
14	101.47	2322	3.12	87385	1 0 0				
13	107.80	2551	3.39	87400	1 1 2				
12	115.82	2733	2.92	87400	1 2 5				
10	144.71	3260	2.38	87359	1 4 0				
8.6	166.73	3732	2.13	87338	1 6 0				
6.4	225.50	4974	1.68	87332	2 1 2				
5.9	242.27	5324	1.59	87332	2 5 0				

NOTE:
Other output speeds are available using 2 & 8 pole motors. Please contact our Application Engineers

SERIES C SELECTION TABLE GEARED MOTORS

4.0 kW
4 POLE

4.0 kW
6 POLE

N2 RPM	i	M2 Nm	Fm	N	Unit Designation	kg	
Output Speed	Ratio	Output Torque	Service Factor	Overhung Load	Column Entry 1 - 20 Spaces to be filled when entering order	Weight of Base Mount unit	Motor Size
8.9	160.55	3596	2.36	87299	C 1 0 4 1 1 6 0 _ M _ _ _ 4 . 0 A _ _	361	112M
8.0	178.41	3976	2.08	87375	1 8 0		
6.5	222.38	4979	1.70	87299	2 1 2		
5.8	247.12	5507	1.51	87375	2 5 0		
5.2	274.67	6149	1.38	87299	2 8 0		
4.7	305.22	6800	1.22	87375	3 1 5		
4.0	358.77	8027	1.06	87299	3 6 0		
3.5	407.90	9123	0.93	87299	4 0 0		
3.2	453.27	10090	0.82	87375	4 5 0		
117	8.23	293	1.5	11787	C 0 6 2 1 8 . 0 _ M _ _ _ 4 . 0 C _ _	86	132M
83	11.57	408	1.22	11716	1 1 .		
74	12.97	456	1.14	11646	1 2 .		
66	14.56	510	1.06	11575	1 4 .		
60	15.93	509	1.14	11646	1 6 .		
52	18.49	643	0.91	11504	1 8 .		
46	20.96	726	0.84	11433	2 0 .		
43	22.40	703	0.89	11504	2 2 .		
38	25.11	782	0.81	11433	2 5 .		
122	7.90	288	2.13	24231	C 0 7 2 1 8 . 0 _ M _ _ _ 4 . 0 C _ _	130	132M
88	10.94	398	2.13	26142	1 1 .		
78	12.29	446	2.01	26908	1 2 .		
71	13.52	489	1.89	27541	1 4 .		
61	15.80	550	1.45	28408	1 6 .		
54	17.66	635	1.61	28158	1 8 .		
48	20.07	716	1.48	28366	2 0 .		
44	21.89	754	1.14	29075	2 2 .		
39	24.59	843	1.04	29075	2 5 .		
36	27.03	923	0.97	29075	2 8 .		
87	11.01	405	3.83	33852	C 0 8 2 1 1 1 . _ M _ _ _ 4 . 0 C _ _	173	132M
78	12.24	447	3.60	34773	1 2 .		
71	13.61	494	3.38	35768	1 4 .		
62	15.54	549	2.95	37547	1 6 .		
55	17.60	636	2.88	38300	1 8 .		
49	19.76	714	2.67	39442	2 0 .		
44	22.03	771	2.31	40636	2 2 .		
39	24.47	853	2.13	40821	2 5 .		
35	27.22	944	1.97	41525	2 8 .		
30	31.78	1127	1.98	41358	3 2 .		
27	35.20	1205	1.62	41858	3 6 .		
24	39.51	1346	1.48	41816	4 0 .		
22	43.64	1539	1.60	41798	4 5 .		
19	49.26	1727	1.47	41696	5 0 .		
18	54.60	1834	1.14	41775	5 6 .		
15	63.56	2118	1.01	41712	6 3 .		
14	69.64	2412	1.15	41616	7 1 .		
13	76.50	2641	1.08	41616	8 0 .		
22	44.55	1585	2.67	53704	C 0 9 2 1 4 5 . _ M _ _ _ 4 . 0 C _ _	236	132M
19	49.49	1760	2.44	53673	5 0 .		
14	69.91	2453	1.81	53607	7 1 .		
12	77.18	2702	1.66	53559	8 0 .		
10	93.18	3064	1.71	53511	9 0 .		
9.3	103.53	3388	1.59	53462	1 0 0		
9.0	106.17	3680	1.25	53457	1 1 2		
8.0	119.38	4105	1.13	53389	1 2 5		
6.6	146.23	4698	1.19	53321	1 4 0		
5.9	161.44	5166	1.08	53252	1 6 0		
4.3	222.08	6975	0.80	53000	2 1 2		
6.0	159.68	5319	0.90	53383	C 0 9 4 1 1 6 0 _ M _ _ _ 4 . 0 C _ _	264	132M
5.4	177.41	5885	0.82	53383	1 8 0		
14	69.18	2448	3.53	87362	C 1 0 2 1 7 1 . _ M _ _ _ 4 . 0 C _ _	333	132M
12	79.71	2819	3.10	87400	8 0 .		
11	91.32	3088	2.49	87373	9 0 .		
9.5	101.47	3416	2.30	87347	1 0 0		
8.9	107.80	3762	2.31	87400	1 1 2		
8.3	115.82	4030	1.96	87400	1 2 5		
6.6	144.71	4801	1.74	87316	1 4 0		
5.8	166.73	5496	1.55	87275	1 6 0		
4.3	225.50	7312	1.21	87212	2 1 2		
4.0	242.27	7822	1.13	87212	2 5 0		
6.0	160.55	5388	1.57	87299	C 1 0 4 1 1 6 0 _ M _ _ _ 4 . 0 C _ _	382	132M
5.4	178.41	5960	1.39	87375	1 8 0		
4.3	222.38	7459	1.14	87299	2 1 2		
3.9	247.12	8252	1.00	87375	2 5 0		
3.5	274.67	9208	0.92	87299	2 8 0		
3.1	305.22	10187	0.81	87375	3 1 5		

NOTE:
Other output speeds are available using 2 & 8 pole motors. Please contact our Application Engineers

SERIES C SELECTION TABLE GEARED MOTORS

5.5 kW
4 POLE

N2 RPM	i	M2 Nm	Fm	N	Unit Designation	kg	
Output Speed	Ratio	Output Torque	Service Factor	Overhung Load	Column Entry 1 - 20 Spaces to be filled when entering order	Weight of Base Mount unit	Motor Size
175	8.23	270	1.38	11786	C 0 6 2 1 8 . 0 _ M _ - _ _ 5 . 5 A -	82	132S
124	11.57	377	1.13	11715	1 1 .		
111	12.97	422	1.06	11715	1 2 .		
99	14.56	472	0.99	11600	1 4 .		
90	15.93	474	1.09	11700	1 6 .		
78	18.49	596	0.85	11500	1 8 .		
64	22.40	658	0.88	11500	2 2 .		
57	25.11	732	0.81	11500	2 5 .		
182	7.90	265	2.33	22426	C 0 7 2 1 8 . 0 _ M _ - _ _ 5 . 5 A -	126	132S
132	10.94	366	2.00	23887	1 1 .		
117	12.29	412	1.86	24437	1 2 .		
107	13.52	452	1.76	25025	1 4 .		
91	15.80	507	1.41	26337	1 6 .		
82	17.66	587	1.50	26550	1 8 .		
72	20.07	665	1.38	27269	2 0 .		
66	21.89	698	1.12	27954	2 2 .		
59	24.59	781	1.03	28141	2 5 .		
53	27.03	858	0.96	28452	2 8 .		
131	11.01	371	3.56	31175	C 0 8 2 1 1 1 . _ M _ - _ _ 5 . 5 A -	169	132S
118	12.24	413	3.34	31897	1 2 .		
106	13.61	457	3.12	32868	1 4 .		
93	15.54	506	2.74	34371	1 6 .		
82	17.60	591	2.67	35010	1 8 .		
73	19.76	662	2.49	36130	2 0 .		
65	22.03	711	2.22	37210	2 2 .		
59	24.47	787	2.09	37782	2 5 .		
53	27.22	871	1.95	38325	2 8 .		
45	31.78	1048	1.86	38975	3 2 .		
41	35.20	1122	1.60	40250	3 6 .		
36	39.51	1251	1.47	40512	4 0 .		
33	43.64	1425	1.52	39389	4 5 .		
29	49.26	1599	1.41	41116	5 0 .		
26	54.60	1709	1.15	41837	5 6 .		
23	63.56	1973	1.02	41775	6 3 .		
21	69.64	2231	1.12	41686	7 1 .		
19	76.50	2448	1.05	41615	8 0 .		
32	44.55	1468	2.74	53698	C 0 9 2 1 4 5 . _ M _ - _ _ 5 . 5 A -	232	132S
29	49.49	1629	2.51	53673	5 0 .		
21	69.91	2268	1.88	53622	7 1 .		
19	77.18	2504	1.72	53577	8 0 .		
15	93.18	2863	1.64	53533	9 0 .		
14	103.53	3167	1.53	53488	1 0 0		
14	106.17	3405	1.30	53525	1 1 2		
12	119.38	3808	1.18	53456	1 2 5		
10	146.23	4385	1.21	53387	1 4 0		
8.9	161.44	4825	1.12	53318	1 6 0		
6.5	222.08	6519	0.86	53100	2 1 2		
9.0	159.68	4865	0.98	53383	C 0 9 4 1 1 6 0 _ M _ - _ _ 5 . 5 A -	260	132S
8.1	177.41	5381	0.90	53383	1 8 0		
21	69.18	2272	3.34	85716	C 1 0 2 1 7 1 . _ M _ - _ _ 5 . 5 A -	329	132S
18	79.71	2606	2.94	86407	8 0 .		
16	91.32	2878	2.47	87400	9 0 .		
14	101.47	3182	2.28	87374	1 0 0		
13	107.80	3496	2.47	87400	1 1 2		
12	115.82	3745	2.13	87400	1 2 5		
10	144.71	4467	1.74	87325	1 4 0		
8.6	166.73	5114	1.56	87287	1 6 0		
6.4	225.50	6816	1.23	87275	2 1 2		
5.9	242.27	7295	1.16	87275	2 5 0		
9.0	160.55	4927	1.72	87299	C 1 0 4 1 1 6 0 _ M _ - _ _ 5 . 5 A -	378	132S
8.1	178.41	5449	1.52	87375	1 8 0		
6.5	222.38	6823	1.24	87299	2 1 2		
5.8	247.12	7545	1.10	87375	2 5 0		
5.2	274.67	8425	1.01	87299	2 8 0		
4.7	305.22	9318	0.89	87375	3 1 5		

NOTE:
Other output speeds are available using 2 & 8 pole motors. Please contact our Application Engineers

SERIES C SELECTION TABLE GEARED MOTORS

5.5 kW
6 POLE

N2 RPM	i	M2 Nm	Fm	N	Unit Designation	kg	
Output Speed	Ratio	Output Torque	Service Factor	Overhung Load	Column Entry 1 - 20 Spaces to be filled when entering order	Weight of Base Mount unit	Motor Size
117	8.23	403	1.09	11700	C 0 6 2 1 8 . 0 _ M _ _ _ 5 . 5 C - -	86	132M
83	11.57	561	0.89	11600	1 1 .		
74	12.97	627	0.83	11500	1 2 .		
60	15.93	700	0.83	11500	1 6 .		
122	7.90	396	1.55	23710	C 0 7 2 1 8 . 0 _ M _ _ _ 5 . 5 C - -	130	132M
88	10.94	547	1.55	25447	1 1 .		
78	12.29	613	1.46	26133	1 2 .		
71	13.52	673	1.38	26666	1 4 .		
61	15.80	756	1.05	27933	1 6 .		
54	17.66	873	1.17	27533	1 8 .		
48	20.07	984	1.08	27866	2 0 .		
44	21.89	1037	0.83	29000	2 2 .		
124	7.77	391	3.16	30947	C 0 8 2 1 8 . 0 _ M _ _ _ 5 . 5 C - -	173	132M
87	11.01	557	2.78	33284	1 1 .		
78	12.24	614	2.62	34157	1 2 .		
71	13.61	680	2.45	35089	1 4 .		
62	15.54	755	2.15	36915	1 6 .		
55	17.60	875	2.09	37400	1 8 .		
49	19.76	981	1.95	38447	2 0 .		
44	22.03	1060	1.68	39878	2 2 .		
39	24.47	1173	1.55	40173	2 5 .		
35	27.22	1298	1.43	41300	2 8 .		
30	31.78	1550	1.44	41033	3 2 .		
27	35.20	1657	1.18	41833	3 6 .		
24	39.51	1851	1.07	41766	4 0 .		
22	43.64	2117	1.16	41756	4 5 .		
19	49.26	2375	1.07	41612	5 0 .		
18	54.60	2521	0.83	41700	5 6 .		
14	69.64	3316	0.84	41500	7 1 .		
22	44.55	2179	1.95	53660	C 0 9 2 1 4 5 . _ M _ _ _ 5 . 5 C - -	236	132M
19	49.49	2420	1.77	53614	5 0 .		
14	69.91	3372	1.32	53518	7 1 .		
12	77.18	3716	1.21	53448	8 0 .		
10	93.18	4213	1.24	53377	9 0 .		
9.3	103.53	4659	1.15	53307	1 0 0		
9.0	106.17	5060	0.91	53300	1 1 2		
8.0	119.38	5645	0.82	53200	1 2 5		
6.6	146.23	6461	0.86	53100	1 4 0		
22	43.65	2160	3.76	85776	C 1 0 2 1 4 5 . _ M _ _ _ 5 . 5 C - -	333	132M
20	48.51	2395	3.47	86058	5 0 .		
14	69.18	3366	2.56	87340	7 1 .		
12	79.71	3876	2.25	87400	8 0 .		
11	91.32	4246	1.81	87357	9 0 .		
9.5	101.47	4697	1.67	87315	1 0 0		
8.9	107.80	5172	1.68	87400	1 1 2		
8.3	115.82	5542	1.43	87400	1 2 5		
6.6	144.71	6601	1.26	87266	1 4 0		
5.8	166.73	7558	1.13	87200	1 6 0		
4.3	225.50	10054	0.88	87100	2 1 2		
4.0	242.27	10756	0.82	87100	2 5 0		
6.0	160.55	7408	1.14	87299	C 1 0 4 1 1 6 0 _ M _ _ _ 5 . 5 C - -	382	132M
5.4	178.41	8196	1.01	87375	1 8 0		
4.3	222.38	10256	0.83	87299	2 1 2		
176	8.23	367	1.01	11700	C 0 6 2 1 8 . 0 _ M _ _ _ 7 . 5 A - -	86	132M
125	11.57	513	0.83	11600	1 1 .		
183	7.90	360	1.71	21957	C 0 7 2 1 8 . 0 _ M _ _ _ 7 . 5 A - -	130	132M
132	10.94	497	1.47	23273	1 1 .		
118	12.29	561	1.37	23732	1 2 .		
107	13.52	614	1.30	24252	1 4 .		
91	15.80	689	1.04	25632	1 6 .		
82	17.66	797	1.10	25550	1 8 .		
72	20.07	904	1.02	26100	2 0 .		
66	21.89	949	0.82	27200	2 2 .		
186	7.77	355	3.20	28647	C 0 8 2 1 8 . 0 _ M _ _ _ 7 . 5 A - -	173	132M
131	11.01	504	2.62	30675	1 1 .		
118	12.24	561	2.46	31350	1 2 .		
106	13.61	622	2.30	32243	1 4 .		
93	15.54	688	2.02	33809	1 6 .		
82	17.60	803	1.97	34229	1 8 .		
73	19.76	899	1.83	35239	2 0 .		
66	22.03	966	1.63	36429	2 2 .		
59	24.47	1070	1.54	36922	2 5 .		
53	27.22	1184	1.44	37370	2 8 .		
45	31.78	1424	1.37	37565	3 2 .		
41	35.20	1525	1.18	39250	3 6 .		
37	39.51	1701	1.08	39671	4 0 .		
33	43.64	1937	1.12	38375	4 5 .		
29	49.26	2173	1.04	40800	5 0 .		
26	54.60	2322	0.84	41800	5 6 .		
21	69.64	3032	0.82	41600	7 1 .		

7.5 kW
4 POLE

NOTE:
Other output speeds are available using 2 & 8 pole motors. Please contact our Application Engineers

SERIES C

SELECTION TABLE

GEARED MOTORS

7.5 kW
4 POLE

N2 RPM	i	M2 Nm	Fm	N	Unit Designation	kg	
Output Speed	Ratio	Output Torque	Service Factor	Overhung Load	Column Entry 1 - 20 Spaces to be filled when entering order	Weight of Base Mount unit	Motor Size
32	44.55	1995	2.02	53652	C 0 9 2 1 4 5 . _ M _ - _ _ 7 . 5 A - -	236	132M
29	49.49	2214	1.85	53616	5 0 .		
21	69.91	3082	1.38	53541	7 1 .		
19	77.18	3402	1.26	53476	8 0 .		
16	93.18	3891	1.21	53412	9 0 .		
14	103.53	4304	1.13	53347	C 0 9 2 1 1 0 0 _ M _ - _ _ 7 . 5 A - -	236	132M
14	106.17	4628	0.96	53400	1 1 2		
12	119.38	5174	0.87	53300	1 2 5		
10	146.23	5959	0.89	53200	1 4 0		
9.0	161.44	6557	0.83	53100	1 6 0		
33	43.65	1975	3.61	82939	C 1 0 2 1 4 5 . _ M _ - _ _ 7 . 5 A - -	333	132M
30	48.51	2188	3.32	83701	5 0 .		
21	69.18	3087	2.46	84696	7 1 .		
18	79.71	3541	2.17	85806	8 0 .		
16	91.32	3911	1.82	87400	9 0 .		
14	101.47	4324	1.67	87358	1 0 0		
13	107.80	4751	1.82	87400	1 1 2		
12	115.82	5089	1.57	87400	1 2 5		
10	144.71	6070	1.28	87279	1 4 0		
8.7	166.73	6949	1.15	87219	1 6 0		
6.4	225.50	9263	0.90	87200	2 1 2		
6.0	242.27	9913	0.85	87200	2 5 0		
9.0	160.55	6696	1.27	87299	C 1 0 4 1 1 6 0 _ M _ - _ _ 7 . 5 A -	-382	132M
8.1	178.41	7404	1.12	87375	1 8 0		
6.5	222.38	9272	0.91	87299	2 1 2		
5.8	247.12	10254	0.81	87375	2 5 0		

7.5 kW
6 POLE

122	7.90	540	1.14	23015	C 0 7 2 1 8 . 0 _ M _ - _ _ 7 . 5 C - -	159	160M
88	10.94	746	1.14	24521	1 1 .		
78	12.29	836	1.07	25100	1 2 .		
71	13.52	918	1.01	25500	1 4 .		
54	17.66	1191	0.86	26700	1 8 .		
124	7.77	534	2.32	30421	C 0 8 2 1 8 . 0 _ M _ - _ _ 7 . 5 C - -	202	160M
87	11.01	759	2.04	32526	1 1 .		
78	12.24	838	1.92	33336	1 2 .		
71	13.61	927	1.80	34184	1 4 .		
62	15.54	1029	1.57	36073	1 6 .		
55	17.60	1193	1.53	36200	1 8 .		
49	19.76	1338	1.43	37121	2 0 .		
44	22.03	1446	1.23	38868	2 2 .		
39	24.47	1600	1.14	39310	2 5 .		
35	27.22	1770	1.05	41000	2 8 .		
30	31.78	2114	1.05	40600	3 2 .		
27	35.20	2260	0.86	41800	3 6 .		
22	43.64	2887	0.85	41700	4 5 .		
87	10.98	760	3.73	51500	C 0 9 2 1 1 1 . _ M _ - _ _ 7 . 5 C - -	265	160M
78	12.30	850	3.49	52800	1 2 .		
70	13.81	952	3.25	53800	1 4 .		
58	16.68	1108	2.73	53800	1 6 .		
54	17.79	1220	2.79	53800	1 8 .		
48	19.88	1357	2.60	53800	2 0 .		
42	22.96	1513	2.25	53800	2 2 .		
37	25.73	1685	2.11	53800	2 5 .		
33	28.89	1887	1.96	53800	2 8 .		
31	31.43	2119	1.92	53800	3 2 .		
26	37.22	2398	1.68	53800	3 6 .		
23	41.59	2679	1.56	53700	4 0 .		
22	44.55	2971	1.43	53602	4 5 .		
19	49.49	3300	1.30	53536	5 0 .		
17	57.66	3647	1.27	53600	5 6 .		
15	65.74	4129	1.16	53500	6 3 .		
14	69.91	4599	0.97	53400	7 1 .		
12	77.18	5067	0.88	53300	8 0 .		
10	93.18	5745	0.91	53200	9 0 .		
9.3	103.53	6354	0.85	53100	1 0 0		
41	23.23	1554	3.84	79500	C 1 0 2 1 2 2 . _ M _ - _ _ 7 . 5 C - -	362	160M
38	25.27	1682	3.61	81400	2 5 .		
33	28.70	1902	3.28	84200	2 8 .		
30	31.85	2167	3.40	85000	3 2 .		
26	37.38	2463	2.67	87400	3 6 .		
24	40.36	2642	2.52	87400	4 0 .		
22	43.65	2945	2.76	84964	4 5 .		
20	48.51	3267	2.55	85388	5 0 .		
16	58.85	3798	1.87	87400	5 6 .		
14	66.62	4303	1.68	87400	6 3 .		
14	69.18	4590	1.88	87311	7 1 .		
12	79.71	5286	1.65	87400	8 0 .		
11	91.32	5790	1.33	87336	9 0 .		

NOTE:
Other output speeds are available using 2 & 8 pole motors. Please contact our Application Engineers

SERIES C SELECTION TABLE GEARED MOTORS

7.5 kW
6 POLE

11.0 kW
4 POLE

N2 RPM	i	M2 Nm	Fm	N	Unit Designation	kg	
Output Speed	Ratio	Output Torque	Service Factor	Overhung Load	Column Entry 1 - 20 Spaces to be filled when entering order	Weight of Base Mount unit	Motor Size
9.5	101.47	6405	1.22	87273	C 1 0 2 1 1 0 0 _ M _ _ _ 7 . 5 C - -	362	160M
8.9	107.80	7054	1.23	87400	1 1 2		
8.3	115.82	7557	1.05	87400	1 2 5		
6.6	144.71	9002	0.93	87200	1 4 0		
5.8	166.73	10306	0.83	87100	1 6 0		
6.0	160.55	10103	0.84	87299	C 1 0 4 1 1 6 0 _ M _ _ _ 7 . 5 C - -	411	160M
184	7.90	526	1.17	21137	C 0 7 2 1 8 . 0 _ M _ _ _ 1 1 . A - -	159	160M
132	10.94	727	1.01	22200	1 1 .		
118	12.29	820	0.94	22500	1 2 .		
107	13.52	898	0.89	22900	1 4 .		
187	7.77	520	2.19	28018	C 0 8 2 1 8 . 0 _ M _ _ _ 1 1 . A - -	202	160M
132	11.01	737	1.79	29800	1 1 .		
119	12.24	820	1.68	30393	1 2 .		
107	13.61	909	1.57	31150	1 4 .		
93	15.54	1005	1.38	32825	1 6 .		
82	17.60	1174	1.35	32862	1 8 .		
73	19.76	1315	1.25	33681	2 0 .		
66	22.03	1413	1.12	35062	2 2 .		
59	24.47	1564	1.05	35418	2 5 .		
53	27.22	1731	0.98	35700	2 8 .		
46	31.78	2082	0.94	35100	3 2 .		
41	35.20	2229	0.81	37500	3 6 .		
182	7.97	539	3.93	44500	C 0 9 2 1 8 . 0 _ M _ _ _ 1 1 . A - -	265	160M
132	10.98	741	3.26	47600	1 1 .		
118	12.30	831	3.05	48700	1 2 .		
105	13.81	928	2.85	50100	1 4 .		
87	16.68	1075	2.40	53100	1 6 .		
81	17.79	1194	2.45	53300	1 8 .		
73	19.88	1326	2.29	53800	2 0 .		
63	22.96	1473	1.98	53800	2 2 .		
56	25.73	1652	1.85	53800	2 5 .		
50	28.89	1841	1.73	53800	2 8 .		
46	31.43	2078	1.73	53800	3 2 .		
39	37.22	2355	1.48	53800	3 6 .		
35	41.59	2634	1.38	53700	4 0 .		
33	44.55	2916	1.38	53572	4 5 .		
29	49.49	3236	1.26	53515	5 0 .		
25	57.66	3601	1.13	53600	5 6 .		
22	65.74	4091	1.04	53500	6 3 .		
21	69.91	4505	0.95	53400	7 1 .		
19	77.18	4973	0.86	53300	8 0 .		
16	93.18	5687	0.83	53200	9 0 .		
62	23.23	1520	3.55	73000	C 1 0 2 1 2 2 _ M _ _ _ 1 1 . A - -	362	160M
57	25.27	1651	3.35	74000	2 5 .		
51	28.70	1869	3.05	75400	2 8 .		
46	31.85	2126	3.01	75100	3 2 .		
39	37.38	2424	2.50	79400	3 6 .		
36	40.36	2601	2.36	81000	4 0 .		
33	43.65	2887	2.47	80522	4 5 .		
30	48.51	3198	2.27	81258	5 0 .		
25	58.85	3753	1.76	87400	5 6 .		
22	66.62	4231	1.60	87400	6 3 .		
21	69.18	4512	1.68	82911	7 1 .		
18	79.71	5176	1.48	84754	8 0 .		
16	91.32	5716	1.25	87400	9 0 .		
14	101.47	6320	1.15	87331	1 0 0		
13	107.80	6945	1.25	87400	1 1 2		
13	115.82	7438	1.07	87400	1 2 5		
10	144.71	8873	0.87	87200	1 4 0		
9.0	160.55	9787	0.87	87299	C 1 0 4 1 1 6 0 _ M _ _ _ 1 1 . A - -	411	160M

NOTE:
Other output speeds are available using 2 & 8 pole motors. Please contact our Application Engineers

SERIES C SELECTION TABLE GEARED MOTORS

11.0 kW
6 POLE

N2 RPM	i	M2 Nm	Fm	N	Unit Designation	kg	
Output Speed	Ratio	Output Torque	Service Factor	Overhung Load	Column Entry 1 - 20 Spaces to be filled when entering order	Weight of Base Mount unit	Motor Size
124	7.77	779	1.59	29500	C 0 8 2 1 8 . 0 _ M _ - _ _ 1 1 . C -	216	160L
88	11.01	1108	1.40	31200	1 1 .		
79	12.24	1223	1.32	31900	1 2 .		
71	13.61	1353	1.23	32600	C 0 8 2 1 1 4 . _ M _ - _ _ 1 1 . C -	216	160L
62	15.54	1502	1.08	34600	1 6 .		
55	17.60	1741	1.05	34100	1 8 .		
49	19.76	1953	0.98	34800	2 0 .		
44	22.03	2110	0.84	37100	2 2 .		
121	7.97	807	3.11	47360	C 0 9 2 1 8 . 0 _ M _ - _ _ 1 1 . C -	279	160L
88	10.98	1109	2.56	50348	1 1 .		
78	12.30	1240	2.39	51508	1 2 .		
70	13.81	1390	2.23	52446	1 4 .		
58	16.68	1617	1.87	53510	1 6 .		
54	17.79	1780	1.91	52931	1 8 .		
49	19.88	1980	1.78	53124	2 0 .		
42	22.96	2208	1.54	53703	2 2 .		
37	25.73	2458	1.44	53704	2 5 .		
33	28.89	2754	1.34	53672	2 8 .		
31	31.43	3092	1.32	53640	3 2 .		
26	37.22	3500	1.15	53613	3 6 .		
23	41.59	3909	1.07	53513	4 0 .		
22	44.55	4336	0.98	53500	4 5 .		
19	49.49	4814	0.89	53400	5 0 .		
17	57.66	5321	0.87	53300	5 6 .		
70	13.72	1391	3.94	67833	C 1 0 2 1 1 4 . _ M _ - _ _ 1 1 . C -	376	160L
58	16.63	1635	3.38	71873	1 6 .		
54	17.87	1802	3.34	72391	1 8 .		
50	19.29	1944	3.19	74166	2 0 .		
42	23.23	2268	2.63	78084	2 2 .		
38	25.27	2455	2.48	79860	2 5 .		
34	28.70	2775	2.25	82457	2 8 .		
30	31.85	3162	2.33	82340	3 2 .		
26	37.38	3594	1.83	85855	3 6 .		
24	40.36	3856	1.73	86144	4 0 .		
22	43.65	4297	1.89	83544	4 5 .		
20	48.51	4766	1.75	84214	5 0 .		
16	58.85	5541	1.28	87336	5 6 .		
14	66.62	6279	1.15	87353	6 3 .		
14	69.18	6697	1.29	87259	7 1 .		
12	79.71	7713	1.13	87400	8 0 .		
11	91.32	8448	0.91	87300	9 0 .		
10	101.47	9345	0.84	87200	1 0 0		

15.0 kW
4 POLE

184	7.90	716	0.86	20200	C 0 7 2 1 8 . 0 _ M _ - _ _ 1 5 . A - -	173	160L
187	7.77	707	1.61	27300	C 0 8 2 1 8 . 0 _ M _ - _ _ 1 5 . A - -	216	160L
132	11.01	1001	1.32	28800	1 1 .		
119	12.24	1115	1.24	29300	1 2 .		
107	13.61	1235	1.16	29900	1 4 .		
94	15.54	1366	1.02	31700	1 6 .		
83	17.60	1595	0.99	31300	1 8 .		
74	19.76	1787	0.92	31900	2 0 .		
66	22.03	1920	0.82	33500	2 2 .		
182	7.97	733	2.89	43852	C 0 9 2 1 8 . 0 _ M _ - _ _ 1 5 . A - -	279	160L
133	10.98	1007	2.4	46717	1 1 .		
118	12.30	1130	2.25	47715	1 2 .		
105	13.81	1261	2.1	49007	1 4 .		
87	16.68	1460	1.77	52131	1 6 .		
82	17.79	1622	1.8	51889	1 8 .		
73	19.88	1803	1.69	52636	2 0 .		
63	22.96	2002	1.46	53727	2 2 .		
57	25.73	2245	1.36	53727	2 5 .		
50	28.89	2501	1.27	53727	2 8 .		
46	31.43	2824	1.27	53586	3 2 .		
39	37.22	3200	1.09	53640	3 6 .		
35	41.59	3579	1.02	53540	4 0 .		
33	44.55	3963	1.02	53480	4 5 .		
29	49.49	4398	0.93	53400	5 0 .		
25	57.66	4894	0.83	53400	5 6 .		
120	12.08	1116	3.99	60823	C 1 0 2 1 1 2 . _ M _ - _ _ 1 5 . A - -	376	160L
106	13.72	1265	3.7	62817	1 4 .		
87	16.63	1482	3.19	66523	1 6 .		
81	17.87	1640	3.16	67047	1 8 .		
75	19.29	1766	3.02	68664	2 0 .		
63	23.23	2065	2.61	71917	2 2 .		
58	25.27	2244	2.47	72823	2 5 .		
51	28.70	2540	2.25	74061	2 8 .		
46	31.85	2890	2.21	73069	3 2 .		

NOTE:
Other output speeds are available using 2 & 8 pole motors. Please contact our Application Engineers

SERIES C SELECTION TABLE GEARED MOTORS

15.0 kW
4 POLE

15.0 kW
6 POLE

18.5 kW
4 POLE

N2 RPM	i	M2 Nm	Fm	N	Unit Designation	kg	
Output Speed	Ratio	Output Torque	Service Factor	Overhung Load	Column Entry 1 - 20 Spaces to be filled when entering order	Weight of Base Mount unit	Motor Size
39	37.38	3294	1.84	77673	C 1 0 2 1 3 6 . _ M _ - _ _ 1 5 . A - -	376	160L
36	40.36	3535	1.74	79147	4 0 .		
33	43.65	3923	1.82	77759	4 5 .		
30	48.51	4347	1.67	78467	5 0 .		
25	58.85	5100	1.30	85327	5 6 .		
22	66.62	5750	1.18	85945	6 3 .		
21	69.18	6132	1.24	80870	7 1 .		
18	79.71	7034	1.09	83552	8 0 .		
16	91.32	7768	0.92	87400	9 0 .		
14	101.47	8589	0.84	87300	1 0 0		
122	7.97	1095	2.29	46400	C 0 9 2 1 8 . 0 _ M _ - _ _ 1 5 . C - -	365	180L
88	10.98	1505	1.89	49033	1 1 .		
79	12.30	1682	1.76	50033	1 2 .		
70	13.81	1886	1.64	50900	1 4 .		
58	16.68	2194	1.38	53179	1 6 .		
55	17.79	2415	1.41	51937	1 8 .		
49	19.88	2687	1.31	52351	2 0 .		
42	22.96	2995	1.14	53593	2 2 .		
38	25.73	3335	1.06	53595	2 5 .		
34	28.89	3736	0.99	53527	2 8 .		
31	31.43	4195	0.97	53459	3 2 .		
26	37.22	4748	0.85	53400	3 6 .		
122	7.95	1100	3.49	59266	C 1 0 2 1 8 . 0 _ M _ - _ _ 1 5 . C - -	462	180L
87	11.11	1533	3.30	63366	1 1 .		
80	12.08	1666	3.13	64500	1 2 .		
71	13.72	1887	2.90	66500	1 4 .		
58	16.63	2218	2.49	70700	1 6 .		
54	17.87	2445	2.47	70666	1 8 .		
50	19.29	2637	2.35	72300	2 0 .		
42	23.23	3077	1.94	76466	2 2 .		
38	25.27	3330	1.83	78100	2 5 .		
34	28.70	3765	1.66	80466	2 8 .		
30	31.85	4290	1.72	79300	3 2 .		
26	37.38	4876	1.35	84089	3 6 .		
24	40.36	5231	1.27	84710	4 0 .		
22	43.65	5830	1.39	81920	4 5 .		
20	48.51	6466	1.29	82873	5 0 .		
16	58.85	7518	0.94	87263	5 6 .		
15	66.62	8518	0.85	87300	6 3 .		
14	69.18	9086	0.95	87200	7 1 .		
184	7.97	895	2.37	43286	C 0 9 2 1 8 . 0 _ M _ - _ _ 1 8 . A - -	351	180M
134	10.98	1230	1.97	45945	1 1 .		
119	12.30	1379	1.84	46853	1 2 .		
106	13.81	1540	1.72	48051	1 4 .		
88	16.68	1783	1.45	51284	1 6 .		
83	17.79	1980	1.47	50655	1 8 .		
74	19.88	2201	1.38	51618	2 0 .		
64	22.96	2444	1.19	53663	2 2 .		
57	25.73	2741	1.11	53663	2 5 .		
51	28.89	3054	1.04	53663	2 8 .		
47	31.43	3447	1.04	53400	3 2 .		
39	37.22	3907	0.89	53500	3 6 .		
35	41.59	4369	0.83	53400	4 0 .		
33	44.55	4838	0.83	53400	4 5 .		
132	11.11	1251	3.44	59054	C 1 0 2 1 1 1 . _ M _ - _ _ 1 8 . A - -	448	180M
122	12.08	1362	3.27	60144	1 2 .		
107	13.72	1544	3.03	62045	1 4 .		
88	16.63	1809	2.61	65844	1 6 .		
82	17.87	2002	2.59	66038	1 8 .		
76	19.29	2156	2.47	67583	2 0 .		
63	23.23	2522	2.14	70970	2 2 .		
58	25.27	2739	2.02	71794	2 5 .		
51	28.70	3101	1.84	72890	2 8 .		
46	31.85	3528	1.81	71292	3 2 .		
39	37.38	4021	1.51	76163	3 6 .		
36	40.36	4316	1.42	77526	4 0 .		

NOTE:

Other output speeds are available using 2 & 8 pole motors. Please contact our Application Engineers

SERIES C SELECTION TABLE GEARED MOTORS

18.5 kW
4 POLE

18.5 kW
6 POLE

22.0 kW
4 POLE

22.0 kW
6 POLE

NOTE:
Other output speeds are available using 2 & 8 pole motors. Please contact our Application Engineers

N2 RPM	i	M2 Nm	Fm	N	Unit Designation	kg			
Output Speed	Ratio	Output Torque	Service Factor	Overhung Load	Column Entry 1 - 20 Spaces to be filled when entering order	Weight of Base Mount unit	Motor Size		
34	43.65	4790	1.49	75342	C 1 0 2 1 4 5 . _ M _ _ _ 1 8 . A _ _	448	180M		
30	48.51	5306	1.37	76025	5 0 .				
25	58.85	6226	1.06	83513	5 6 .				
22	66.62	7019	0.96	84672	6 3 .				
21	69.18	7486	1.01	79085	7 1 .				
18	79.71	8586	0.89	82500	8 0 .				
122	7.97	1344	1.87	45560	C 0 9 2 1 8 . 0 _ M _ _ _ 1 8 . C _ _	423	200L		
89	10.98	1847	1.54	47882	1 1 .				
79	12.30	2064	1.44	48742	1 2 .				
71	13.81	2314	1.34	49546	1 4 .				
58	16.68	2692	1.13	52889	1 6 .				
55	17.79	2963	1.15	51068	1 8 .				
49	19.88	3297	1.07	51675	2 0 .				
42	22.96	3675	0.93	53496	2 2 .				
38	25.73	4092	0.87	53500	2 5 .				
34	28.89	4584	0.81	53400	2 8 .				
123	7.95	1350	2.84	58597	C 1 0 2 1 8 . 0 _ M _ _ _ 1 8 . C _ _			522	200L
88	11.11	1881	2.69	62417	1 1 .				
81	12.08	2044	2.55	63473	1 2 .				
71	13.72	2316	2.37	65333	1 4 .				
59	16.63	2722	2.03	69673	1 6 .				
55	17.87	3001	2.01	69157	1 8 .				
51	19.29	3235	1.92	70666	2 0 .				
42	23.23	3775	1.58	75051	2 2 .				
39	25.27	4086	1.49	76560	2 5 .				
34	28.70	4620	1.35	78724	2 8 .				
31	31.85	5264	1.40	76640	3 2 .				
26	37.38	5983	1.10	82544	3 6 .				
24	40.36	6418	1.04	83455	4 0 .				
184	7.97	1064	1.99	42720	C 0 9 2 1 8 . 0 _ M _ _ _ 2 2 . A _ _	365	180L		
134	10.98	1462	1.65	45173	1 1 .				
119	12.30	1640	1.55	45992	1 2 .				
106	13.81	1831	1.45	47096	1 4 .				
88	16.68	2120	1.22	50436	1 6 .				
83	17.79	2355	1.24	49421	1 8 .				
74	19.88	2617	1.16	50600	2 0 .				
64	22.96	2906	1.00	53600	2 2 .				
57	25.73	3260	0.94	53600	2 5 .				
51	28.89	3632	0.88	53600	2 8 .				
185	7.95	1066	3.50	54676	C 1 0 2 1 8 . 0 _ M _ _ _ 2 2 . A _ _			462	180L
132	11.11	1488	2.89	58426	1 1 .				
122	12.08	1620	2.75	59464	1 2 .				
107	13.72	1836	2.55	61273	1 4 .				
88	16.63	2151	2.20	65164	1 6 .				
82	17.87	2381	2.18	65029	1 8 .				
76	19.29	2564	2.08	66502	2 0 .				
63	23.23	2999	1.80	70023	2 2 .				
58	25.27	3258	1.70	70764	2 5 .				
51	28.70	3687	1.55	71719	2 8 .				
46	31.85	4195	1.53	69515	3 2 .				
39	37.38	4782	1.27	74652	3 6 .				
36	40.36	5133	1.20	75905	4 0 .				
34	43.65	5696	1.25	72925	4 5 .				
30	48.51	6310	1.15	73582	5 0 .				
25	58.85	7405	0.89	81700	5 6 .				
22	66.62	8347	0.81	83400	6 3 .				
21	69.18	8903	0.85	77300	7 1 .				
122	7.97	1599	1.57	44720	C 0 9 2 1 8 . 0 _ M _ _ _ 2 2 . C _ _	423	200L		
89	10.98	2197	1.29	46731	1 1 .				
79	12.30	2455	1.21	47451	1 2 .				
71	13.81	2752	1.13	48193	1 4 .				
58	16.68	3201	0.95	52600	1 6 .				
55	17.79	3523	0.96	50200	1 8 .				
49	19.88	3921	0.90	51000	2 0 .				
123	7.95	1605	2.39	57928	C 1 0 2 1 8 . 0 _ M _ _ _ 2 2 . C _ _	522	200L		
88	11.11	2236	2.26	61468	1 1 .				
81	12.08	2431	2.15	62446	1 2 .				
71	13.72	2754	1.99	64166	1 4 .				
59	16.63	3237	1.71	68646	1 6 .				
55	17.87	3568	1.69	67648	1 8 .				
51	19.29	3848	1.61	69033	2 0 .				
42	23.23	4490	1.33	73635	2 2 .				
39	25.27	4859	1.25	75020	2 5 .				
34	28.70	5494	1.14	76982	2 8 .				
31	31.85	6260	1.18	73980	3 2 .				
26	37.38	7115	0.92	81000	3 6 .				
24	40.36	7633	0.87	82200	4 0 .				

SERIES C SELECTION TABLE GEARED MOTORS

30.0 kW
4 POLE

30.0 kW
6 POLE

37.0 kW
4 POLE

45.0 kW
4 POLE

N2 RPM	i	M2 Nm	Fm	N	Unit Designation	kg	
Output Speed	Ratio	Output Torque	Service Factor	Overhung Load	Column Entry 1 - 20 Spaces to be filled when entering order	Weight of Base Mount unit	Motor Size
184	7.97	1452	1.46	41426	C 0 9 2 1 8 . 0 _ M _ - _ _ 3 0 . A -	423	200L
134	10.98	1994	1.21	43408	1 1 .		
119	12.30	2237	1.14	44023	1 2 .		
106	13.81	2497	1.06	44911	1 4 .		
88	16.68	2891	0.89	48500	1 6 .		
83	17.79	3212	0.91	46600	1 8 .		
185	7.95	1454	2.56	53641	C 1 0 2 1 8 . 0 _ M _ - _ _ 3 0 . A -	522	200L
132	11.11	2029	2.12	56991	1 1 .		
122	12.08	2209	2.01	57911	1 2 .		
107	13.72	2504	1.87	59508	1 4 .		
88	16.63	2934	1.61	63611	1 6 .		
82	17.87	3247	1.60	62723	1 8 .		
76	19.29	3497	1.52	64032	2 0 .		
63	23.23	4089	1.32	67858	2 2 .		
58	25.27	4442	1.25	68411	2 5 .		
51	28.70	5028	1.14	69042	2 8 .		
46	31.85	5721	1.12	65453	3 2 .		
39	37.38	6520	0.93	71200	3 6 .		
36	40.36	6999	0.88	72200	4 0 .		
123	7.97	2169	1.16	42800	C 0 9 2 1 8 . 0 _ M _ - _ _ 3 0 . C -	513	225M
89	10.98	2980	0.95	44100	1 1 .		
80	12.30	3331	0.89	44500	1 2 .		
71	13.81	3733	0.83	45100	1 4 .		
123	7.95	2178	1.76	56400	C 1 0 2 1 8 . 0 _ M _ - _ _ 3 0 . C -	612	225M
88	11.11	3034	1.67	59300	1 1 .		
81	12.08	3299	1.58	60100	1 2 .		
71	13.72	3736	1.47	61500	1 4 .		
59	16.63	4392	1.26	66300	1 6 .		
55	17.87	4841	1.25	64200	1 8 .		
51	19.29	5220	1.19	65300	2 0 .		
42	23.23	6091	0.98	70400	2 2 .		
39	25.27	6593	0.92	71500	2 5 .		
34	28.70	7454	0.84	73000	2 8 .		
31	31.85	8493	0.87	67900	3 2 .		
185	7.97	1784	1.19	40294	C 0 9 2 1 8 . 0 _ M _ - _ _ 3 7 . A -	478	225S
134	10.98	2451	0.99	41864	1 1 .		
120	12.30	2749	0.92	42300	1 2 .		
107	13.81	3069	0.86	43000	1 4 .		
186	7.95	1787	2.09	52735	C 1 0 2 1 8 . 0 _ M _ - _ _ 3 7 . A -	577	225S
133	11.11	2494	1.72	55735	1 1 .		
122	12.08	2715	1.64	56552	1 2 .		
108	13.72	3078	1.52	57964	1 4 .		
89	16.63	3606	1.31	62252	1 6 .		
83	17.87	3991	1.30	60705	1 8 .		
76	19.29	4298	1.24	61870	2 0 .		
63	23.23	5026	1.07	65964	2 2 .		
58	25.27	5460	1.01	66352	2 5 .		
51	28.70	6181	0.92	66700	2 8 .		
46	31.85	7032	0.91	61900	3 2 .		
185	7.97	2170	0.98	39000	C 0 9 2 1 8 . 0 _ M _ - _ _ 4 5 . A -	513	225M
134	10.98	2982	0.81	40100	1 1 .		
186	7.95	2173	1.72	51700	C 1 0 2 1 8 . 0 _ M _ - _ _ 4 5 . A -	612	225M
133	11.11	3033	1.42	54300	1 1 .		
122	12.08	3302	1.35	55000	1 2 .		
108	13.72	3743	1.25	56200	1 4 .		
89	16.63	4386	1.08	60700	1 6 .		
83	17.87	4854	1.07	58400	1 8 .		
76	19.29	5228	1.02	59400	2 0 .		
63	23.23	6113	0.88	63800	2 2 .		
58	25.27	6641	0.83	64000	2 5 .		

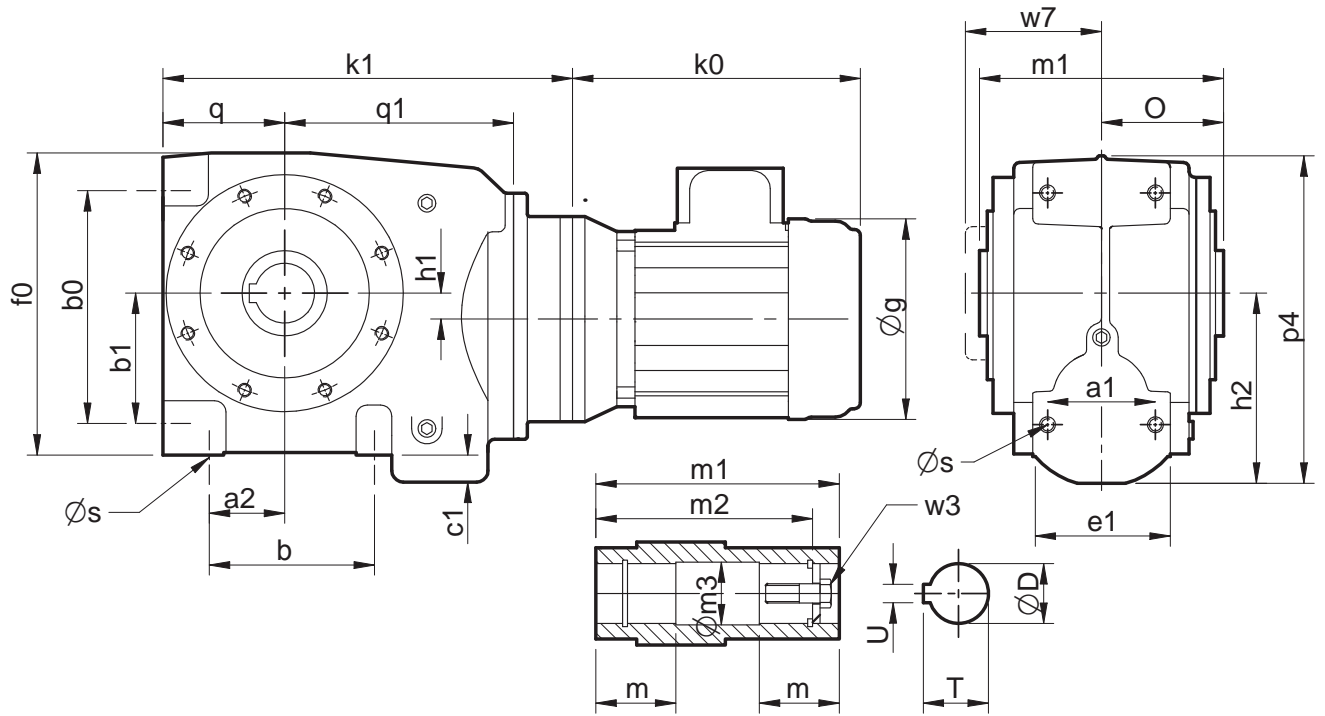
NOTE:

Other output speeds are available using 2 & 8 pole motors. Please contact our Application Engineers

SERIES C

DIMENSIONS

DOUBLE REDUCTION



Size	a1	a2	b	b0	b1	c1	e1	f0	h1	h2	o	p4	q	q1
C0321	54	35	63	80	40	9	70	139	5.3	79.5	62	148	54	109
C0421	56	35	80	118	65	7	80	158	15	93	65	168	64	119
C0521	68	45	100	142	77	16	86	177	13	112	70	200	68	134
C0621	80	56	122	172	96	20	102	218	17	139.5	90	243	90	169

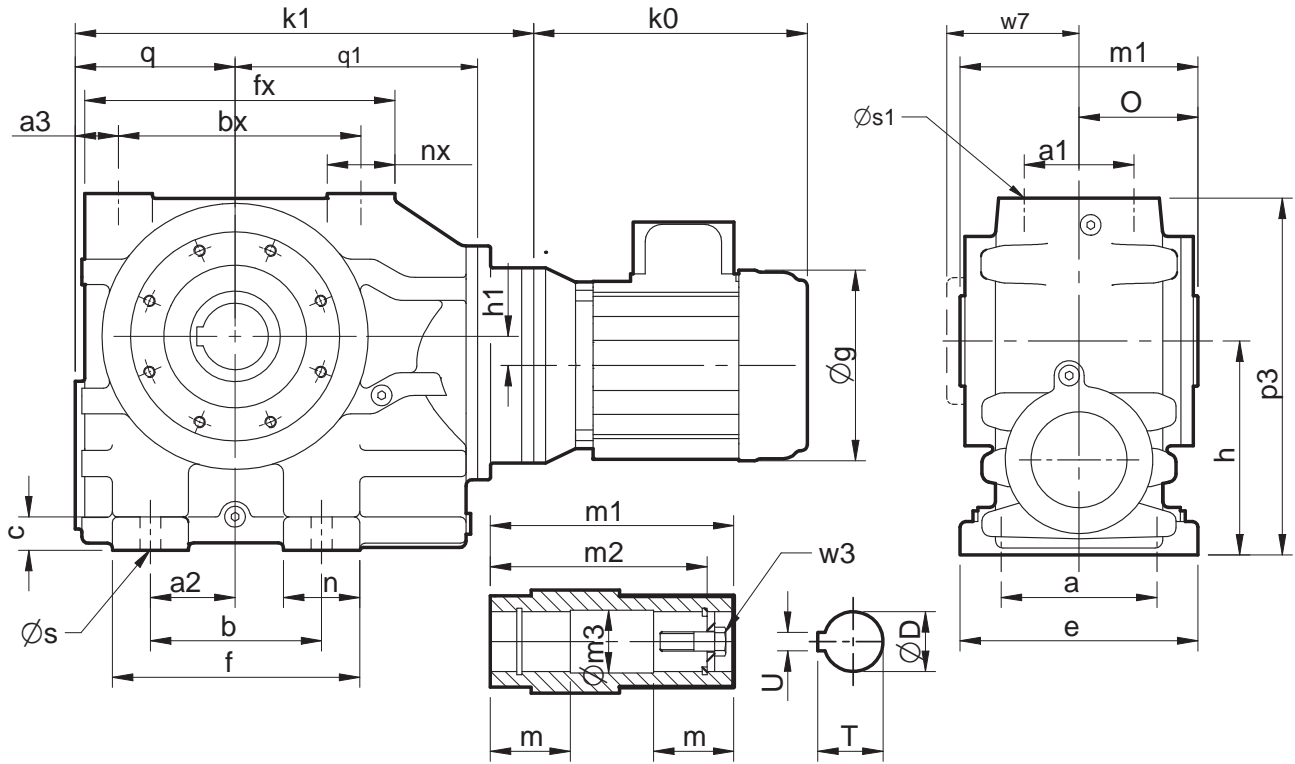
Size	s	w7	D	m	m1	m2	m3	T	U	w3
C0321	M8 x 1.25 x 15	70	20	52	124	104	20.2	22.9	6	M6 x 1.0 x 40
C0421	M10 x 1.5 x 20	74.5	30	54	130	122	30.2	33.5	8	M10 x 1.5 x 50
C0521	M10 x 1.5 x 18	79	35	56	140	127	35.3	38.5	10	M12 x 1.75 x 55
C0621	M12 x 1.75 x 20	101	45	70	180	156	45.3	49	14	M16 x 2.0 x 70

Size			C0321	C0421	C0521	C0621
	k0	g	k1	k1	k1	k1
63	195	125	197	217	236	271
71	220	140	201	221	240	277
80	240	160	214	234	253	295
90S	260	180	224	244	263	305
90L	280	180	224	244	263	305
100L	310	200	232	252	271	332
112M	330	225	232	252	271	332

SERIES C

DIMENSIONS

DOUBLE REDUCTION



Size	a	a1	a2	a3	b	bx	c	e	f	fx	h	h1	n	nx	o	p3	q	q1
C0721	150	100	75	35.5	135	215	28	185	202	280	180	26	67	63	109	302	143	220
C0821	200	120	92	43	180	250	35	250	260	326	225	28	80	71	125	375	168	255
C0921	250	135	115	50	235	290	40	305	320	380	280	40	85	85	150	457	195	300
C1021	300	150	170	62.5	310	345	45	360	420	460	335	65	110	107	175	565	235	355

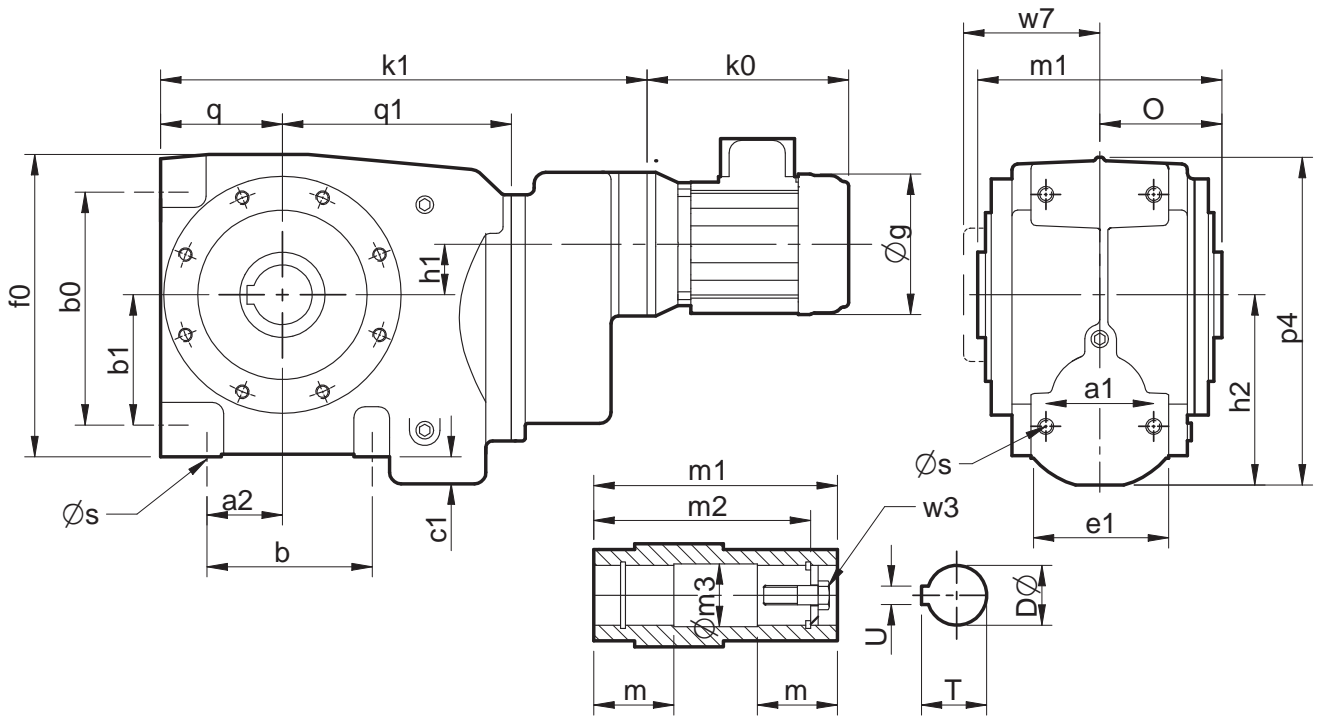
Size	s	s1	w7	D	m	m1	m2	m3	T	U	w3
C0721	18	M20 x 2.5 x 34	125	60	79	218	188	60.5	64.6	18	M20 x 2.5, 80
C0821	22	M20 x 2.5 x 34	143	70	90	250	220	70.5	75.1	20	M20 x 2.5, 80
C0921	26	M24 x 3.0 x 45	169	90	107.5	300	265	90.5	95.6	25	M24 x 3.0 x 110
C1021	26	M24 x 3.0 x 45	198	100	132.5	350	313	100.5	106.6	28	M24 x 3.0 x 110

Size	C0721						C0821						C0921						C1021					
	k0	g	k1	k1	k1	k1	k0	g	k1	k1	k1	k1	k0	g	k1	k1	k1	k1	k0	g	k1	k1	k1	k1
80	240	160	400	505	553	-	240	160	400	505	553	-	240	160	400	505	553	-	240	160	400	505	553	-
90S	260	180	410	505	553	-	260	180	410	505	553	-	260	180	410	505	553	-	260	180	410	505	553	-
90L	280	180	410	505	553	-	280	180	410	505	553	-	280	180	410	505	553	-	280	180	410	505	553	-
100L	310	200	422	511	559	637	310	200	422	511	559	637	310	200	422	511	559	637	310	200	422	511	559	637
112M	330	225	422	511	559	637	330	225	422	511	559	637	330	225	422	511	559	637	330	225	422	511	559	637
132S	380	260	444	511	559	637	380	260	444	511	559	637	380	260	444	511	559	637	380	260	444	511	559	637
132M	420	260	444	511	559	637	420	260	444	511	559	637	420	260	444	511	559	637	420	260	444	511	559	637
160M	480	320	452	541	594	672	480	320	452	541	594	672	480	320	452	541	594	672	480	320	452	541	594	672
160L	530	320	452	541	594	672	530	320	452	541	594	672	530	320	452	541	594	672	530	320	452	541	594	672
180M	560	360	-	-	594	672	560	360	-	-	594	672	560	360	-	-	594	672	560	360	-	-	594	672
180L	595	360	-	-	594	672	595	360	-	-	594	672	595	360	-	-	594	672	595	360	-	-	594	672
200L	660	400	-	-	594	672	660	400	-	-	594	672	660	400	-	-	594	672	660	400	-	-	594	672
225S	680	450	-	-	621	699	680	450	-	-	621	699	680	450	-	-	621	699	680	450	-	-	621	699
225M	725	450	-	-	621	699	725	450	-	-	621	699	725	450	-	-	621	699	725	450	-	-	621	699

SERIES C

DIMENSIONS

TRIPLE REDUCTION



Size	a1	a2	b	b0	b1	c1	e1	f0	h1	h2	o	p4	q	q1
C0331	54	35	63	80	40	9	70	139	30.75	79.5	62	148	54	109
C0431	56	35	80	118	65	7	80	158	21.2	93	65	168	64	119
C0531	68	46	100	142	77	16	86	177	23	112	70	200	68	134
C0631	80	56	122	172	96	20	102	218	30	139.5	90	243	90	169

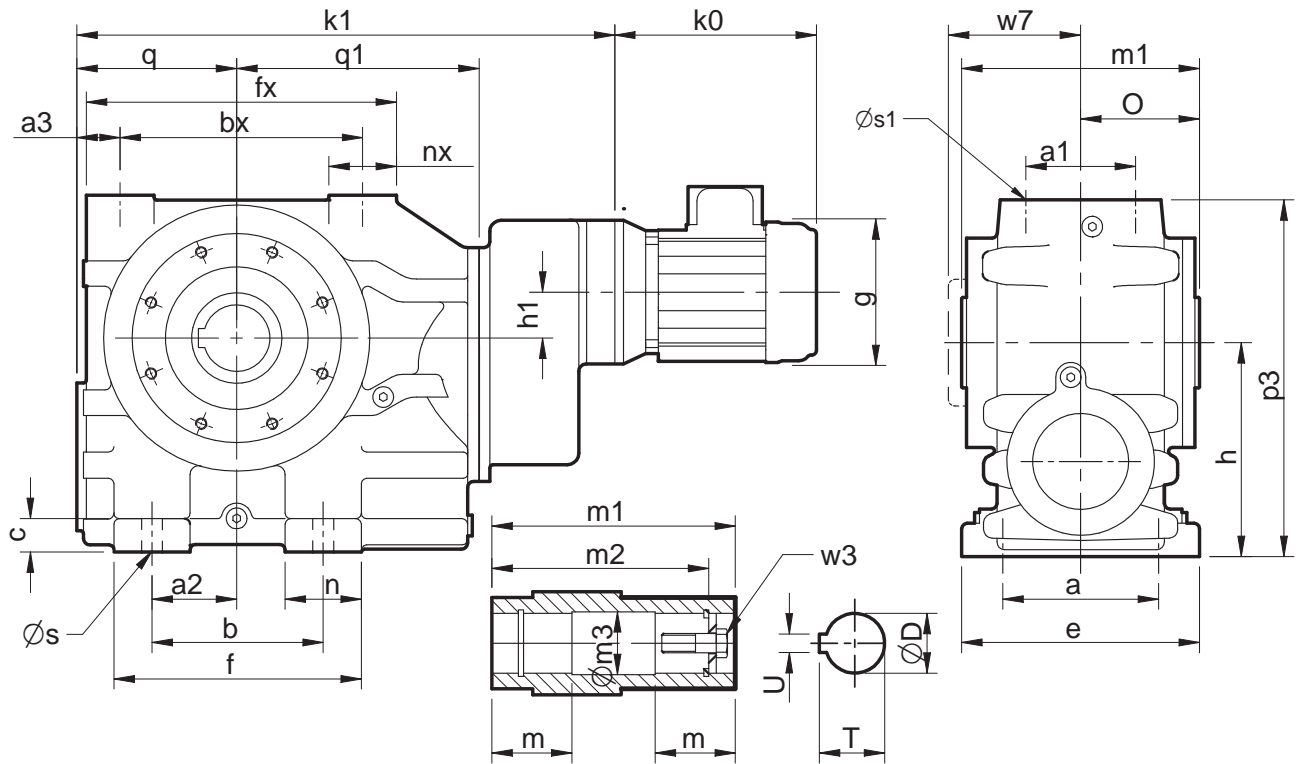
Size	s	w7	D	m	m1	m2	m3	T	U	w3
C0331	M8 x 1.25 x 15	70	20	52	124	104	20.2	22.9	6	M6 x 1.0 x 40
C0431	M10 x 1.5 x 18	74.5	30	54	130	122	30.2	33.5	8	M10 x 1.5 x 50
C0531	M10 x 1.5 x 18	79	35	56	140	127	35.3	38.5	10	M12 x 1.75 x 55
C0631	M12 x 1.75 x 20	101	45	70	180	156	45.3	49	14	M16 x 2.0 x 70

Size	C0331 C0431 C0531 C0631					
	k0	g	k1	k1	k1	k1
63	195	125	253	273	292	359
71	220	140	257	277	296	363
80	240	160	270	290	309	376
90S	260	180	280	300	319	386
90L	280	180	280	300	319	386
100L	310	200	288	308	327	394
112M	330	225	288	308	327	394

SERIES C

DIMENSIONS

TRIPLE REDUCTION



Size	a	a1	a2	a3	b	bx	c	e	f	fx	h	h1	n	nx	o	p3	q	q1
C0731	150	100	75	35.5	135	215	28	185	202	280	180	34	67	63	109	302	143	220

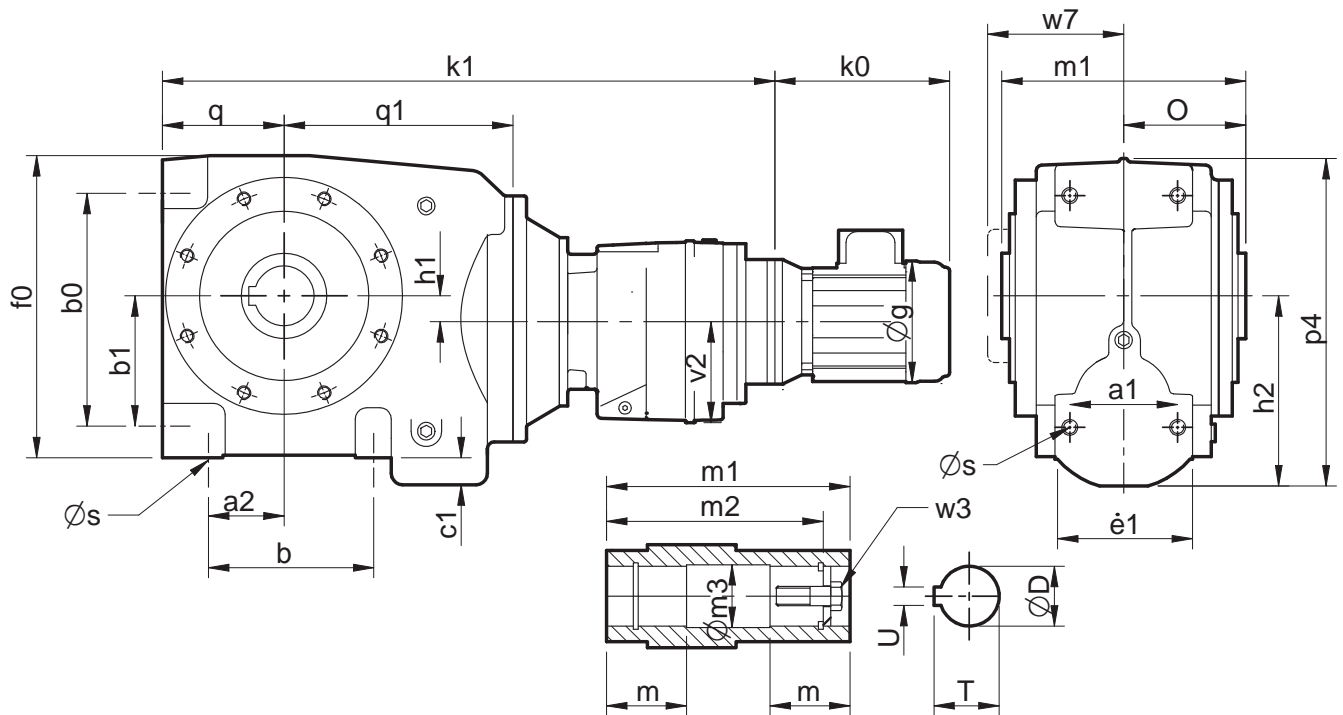
Size	s	s1	w7	D	m	m1	m2	m3	T	U	w3
C0731	18	M20 x 2.5 x 34	125	60	79	218	188	60.5	64.6	18	M20 x 2.5 x 80

Size	C0721		
	k0	g	k1
63	195	125	461
71	220	140	467
80	240	160	485
90S	260	180	495
90L	280	180	495
100L	310	200	522
112M	330	225	522
132S	380	260	522
132M	420	260	522

SERIES C

DIMENSIONS

QUADRUPLE REDUCTION



Size	a1	a2	b	b0	b1	c1	e1	f0	h1	h2	o	p4	q	q1
C0341	54	35	63	80	40	9	70	139	5.3	79.5	62	148	54	109
C0441	56	35	80	118	65	7	80	158	15	93	65	168	64	119
C0541	68	45	100	142	77	16	86	177	13	112	70	200	68	134
C0641	80	56	122	172	96	20	102	218	17	139.5	90	243	90	169

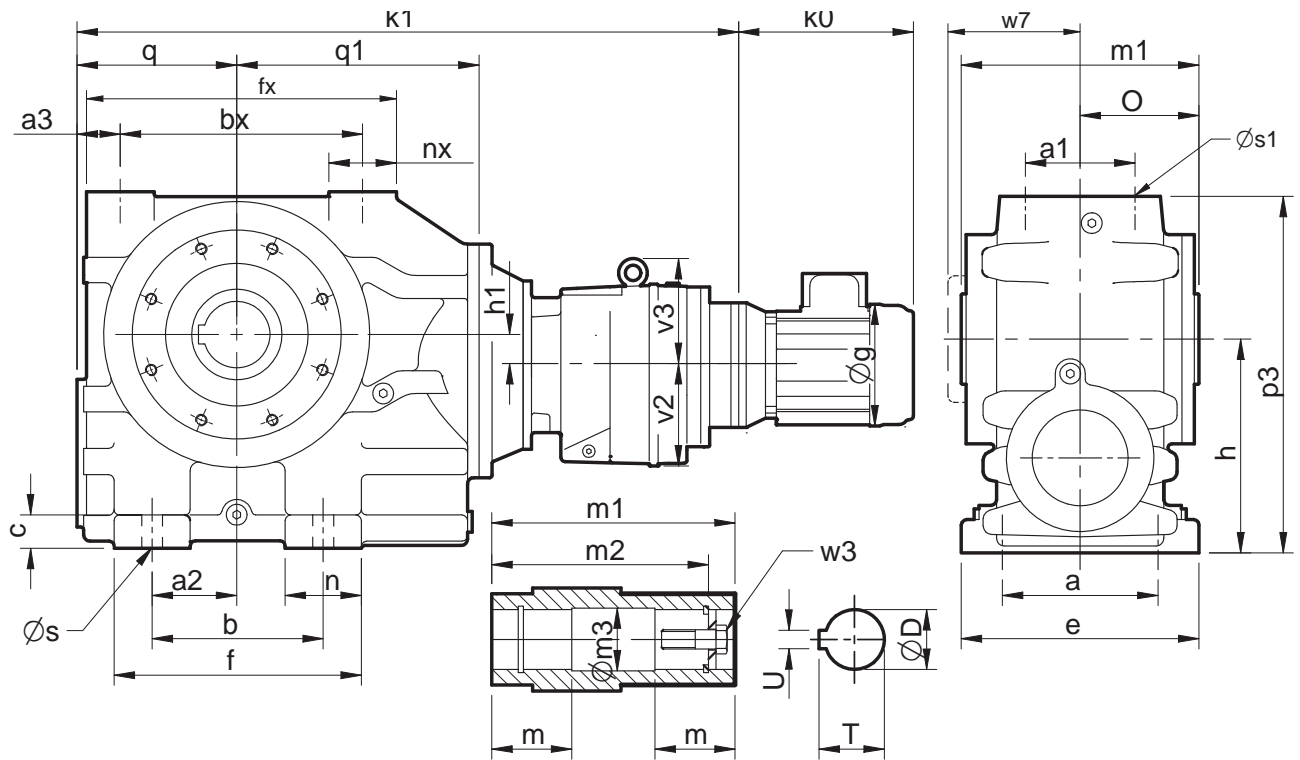
Size	s	v2	w7	D	m	m1	m2	m3	T	U	w3
C0341	M8 x 1.25 x 15	76	70	20	52	124	104	20.2	22.9	6	M6 x 1.0 x 40
C0441	M10 x 1.5 x 20	76	74.5	30	54	130	122	30.2	33.5	8	M10 x 1.5 x 50
C0541	M10 x 1.5 x 18	76	79	35	56	140	127	35.3	38.5	10	M12 x 1.75 x 55
C0641	M12 x 1.75 x 20	91	101	45	70	180	156	45.3	49	14	M16 x 2.0 x 70

Size	C0341 C0441 C0541 C0641					
	k0	g	k1	k1	k1	k1
63	195	125	383	403	422	495
71	220	140	387	407	426	499
80	240	160	400	420	439	512
90S	260	180	410	430	449	522
90L	280	180	410	430	449	522
100L	310	200	418	438	457	530
112M	330	225	418	438	457	530

SERIES C

DIMENSIONS

QUADRUPLE REDUCTION



Size	a	a1	a2	a3	b	bx	c	e	f	fx	h	h1	n	nx	o	p3	q	q1
C0741	150	100	75	35.5	135	215	28	185	202	280	180	26	67	63	109	302	143	220
C0841	200	120	92	43	180	250	35	250	260	326	225	28	80	71	125	375	168	255
C0941	250	135	115	50	235	290	40	305	320	380	280	40	85	85	150	457	195	300
C1041	300	150	170	62.5	310	345	45	360	420	460	335	65	110	107	175	565	235	355

Size	s	s1	v2	v3	w7	D	m	m1	m2	m3	T	U	w3
C0741	18	M20 x 2.5 x 34	91	-	125	60	79	218	188	60.5	64.6	18	M20 x 2.5 x 80
C0841	22	M20 x 2.5 x 34	115	-	143	70	90	250	220	70.5	75.1	20	M20 x 2.5 x 80
C0941	26	M24 x 3.0 x 45	115	-	169	90	107.5	300	265	90.5	95.6	25	M24 x 3.0 x 110
C1041	26	M24 x 3.0 x 45	140	155	198	100	132.5	350	313	100.5	106.6	28	M24 x 3.0 x 110

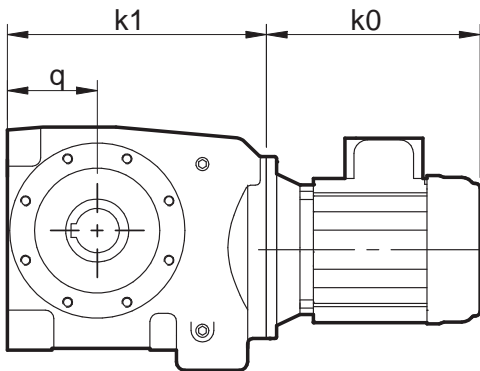
Size			C0741	C0841	C0941	C1041
	k0	g	k1	k1	k1	k1
63	195	125	600	680	763	-
71	220	140	604	686	769	-
80	240	160	617	704	787	919
90S	260	180	627	714	797	929
90L	280	180	627	714	797	929
100L	310	200	635	741	824	941
112M	330	225	635	741	824	941
132S	380	260	-	741	824	963
132M	420	260	-	741	824	963
160M	480	320	-	-	-	971
160L	530	320	-	-	-	971

SERIES C

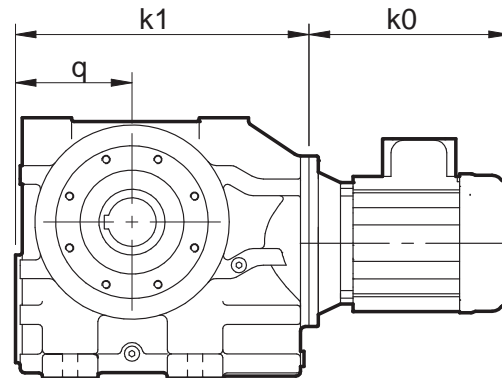
DIMENSIONS

UNITS WITH COMPACT MOTOR

Double Reduction Units



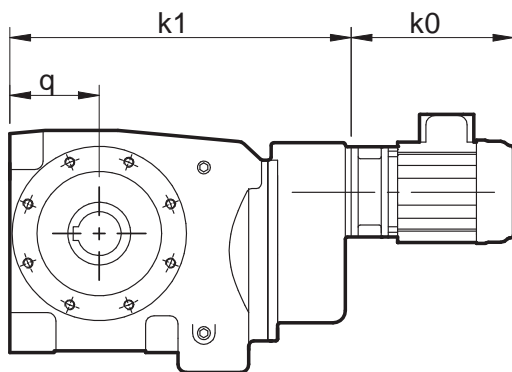
C0321 - C0621



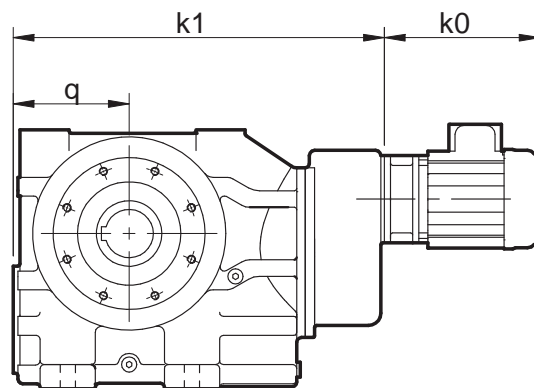
C0721 - C0821

Size	C0321				C0421			C0521			C0621			C0721			C0821			
	g	k1	k0	q	k1	k0	q	k1	k0	q	k1	k0	q	k1	k0	q	k1	k0	q	
0.25 kW	140	163	230	54	183	230	64	202	230	68	-	-	-	-	-	-	-	-	-	-
0.37 kW	140	163	230	54	183	230	64	202	230	68	-	-	-	-	-	-	-	-	-	-
0.55 kW	158	163	280	54	183	280	64	202	280	68	259	265	90	-	-	-	-	-	-	-
0.75 kW	158	163	300	54	183	300	64	202	300	68	259	285	90	-	-	-	-	-	-	-
1.1 kW	180	163	330	54	183	330	64	202	330	68	259	315	90	363	300	143	-	-	-	-
1.5 kW	180	163	365	54	183	365	64	202	365	68	259	350	90	363	335	143	-	-	-	-
2.2 kW	198	-	-	-	-	-	-	-	-	-	259	355	90	363	340	143	423	335	168	-
3.0 kW	198	-	-	-	-	-	-	-	-	-	259	365	90	363	350	143	423	350	168	-
4.0 kW	222	-	-	-	-	-	-	-	-	-	259	424	90	363	410	143	423	400	168	-
5.5 kW	262	-	-	-	-	-	-	-	-	-	259	495	90	363	480	143	423	475	168	-
7.5 kW	262	-	-	-	-	-	-	-	-	-	-	-	-	363	480	143	423	475	168	-

Triple Reduction Units



C0331 - C0631



C0731 - C0831

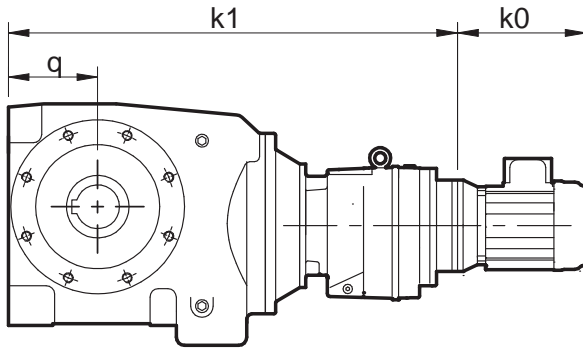
Size	C0331				C0431			C0531			C0631			C0731		
	g	k1	k0	q	k1	k0	q	k1	k0	q	k1	k0	q	k1	k0	q
0.25 kW	140	219	230	54	239	230	64	258	230	68	325	230	90	-	-	-
0.37 kW	140	219	230	54	239	230	64	258	230	68	325	230	90	-	-	-
0.55 kW	160	219	280	54	239	280	64	258	280	68	325	280	90	449	265	143
0.75 kW	160	219	300	54	239	300	64	258	300	68	325	300	90	449	285	143
1.1 kW	180	210	330	54	239	330	64	258	330	68	325	330	90	449	315	143
1.5 kW	180	219	365	54	239	365	64	258	365	68	325	365	90	449	350	143
2.2 kW	200	-	-	-	-	-	-	-	-	-	-	-	-	449	355	143
3.0 kW	200	-	-	-	-	-	-	-	-	-	-	-	-	449	365	143
4.0 kW	225	-	-	-	-	-	-	-	-	-	-	-	-	449	424	143
5.5 kW	260	-	-	-	-	-	-	-	-	-	-	-	-	449	495	143

SERIES C

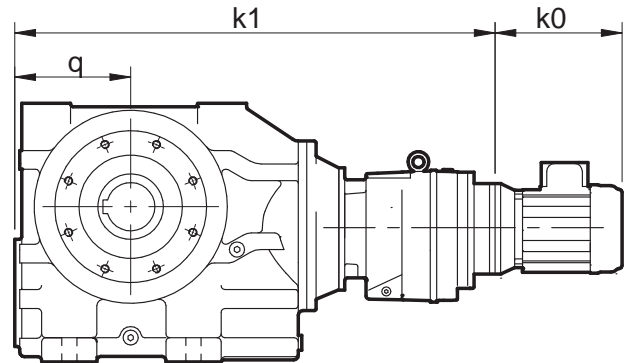
DIMENSIONS

UNITS WITH COMPACT MOTOR

Quadruple Reduction Units



C0341 - C0641



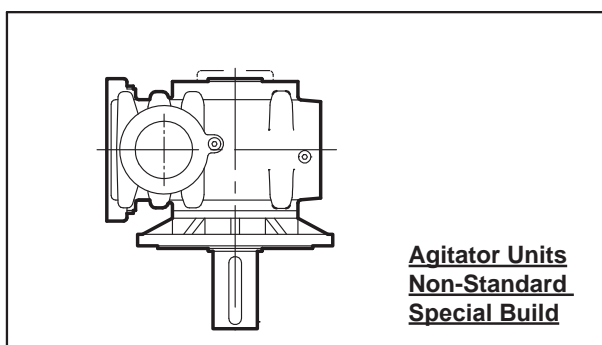
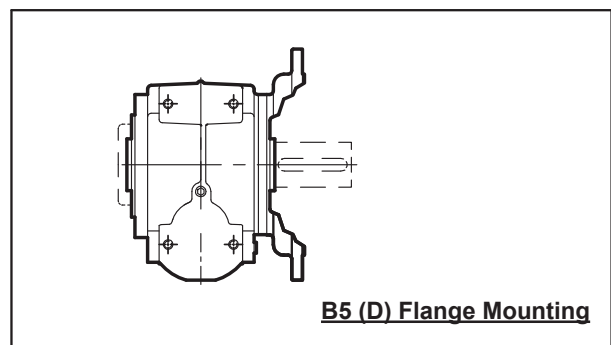
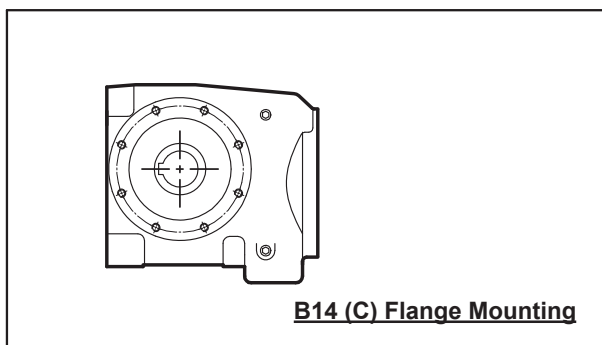
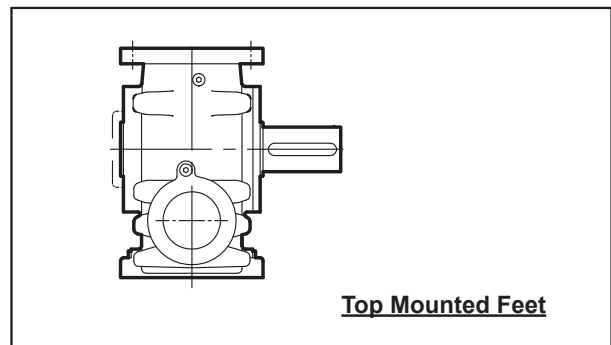
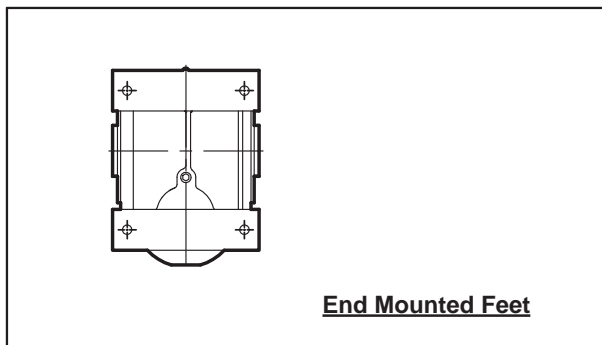
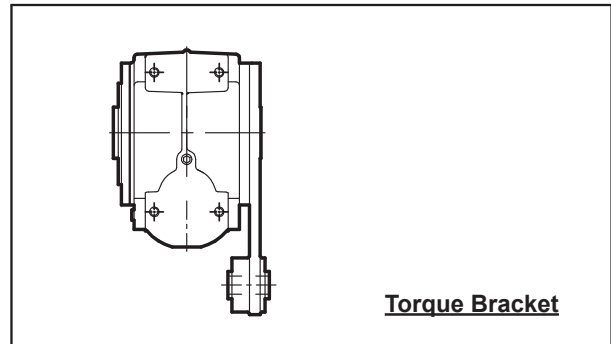
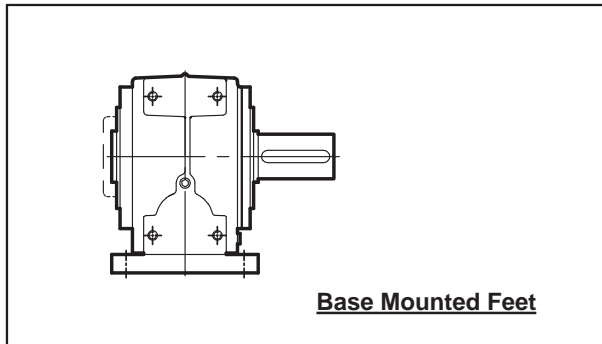
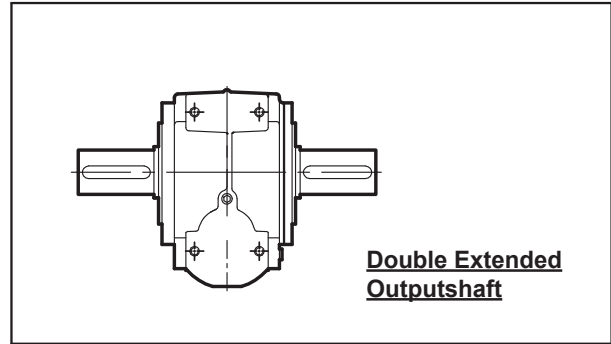
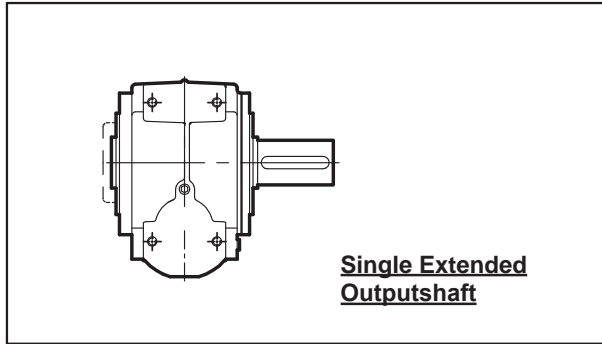
C0741 - C0841

Size	C0341				C0441			C0541			C0641			C0741		
	g	k1	k0	q	k1	k0	q	k1	k0	q	k1	k0	q	k1	k0	q
0.25 kW	140	349	230	54	369	230	64	388	230	68	461	230	90	566	230	143
0.37 kW	140	349	230	54	369	230	64	388	230	68	461	230	90	566	230	143
0.55 kW	160	349	280	54	369	280	64	388	280	68	461	280	90	566	280	143
0.75 kW	160	349	300	54	369	300	64	388	300	68	461	300	90	566	300	143

Size	C0841				C0941			C1041		
	g	k1	k0	q	k1	k0	q	k1	k0	q
0.55 kW	160	668	265	168	751	265	195	-	-	-
0.75 kW	160	668	285	168	751	285	195	-	-	-
1.1 kW	180	668	315	168	751	315	195	882	300	235
1.5 kW	180	668	350	168	751	350	195	882	335	235
2.2 kW	200	668	355	168	751	355	195	882	340	235
3.0 kW	200	668	365	168	751	365	195	882	350	235
4.0 kW	225	668	424	168	751	424	195	882	410	235
5.5 kW	260	668	495	168	751	495	195	882	480	235
7.5 kW	-	-	-	-	-	-	-	882	480	235

SERIES C

GEAR UNIT OPTIONS

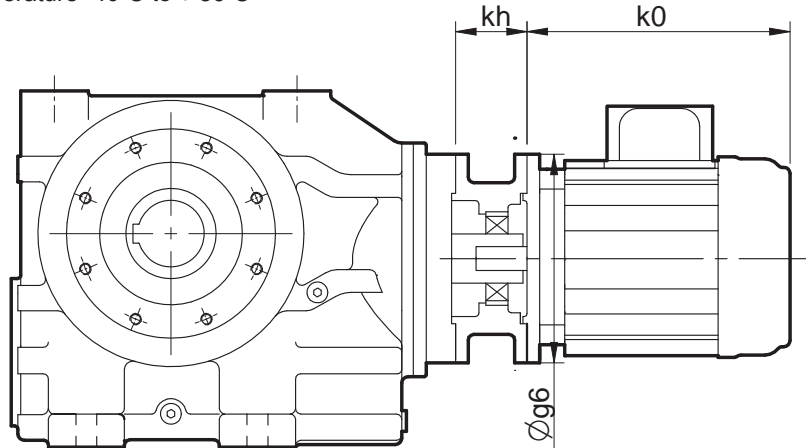


SERIES C

MOTORISED BACKSTOP MODULE

Motorised backstop modules can be fitted between the gear unit and motor. The backstop device incorporates high quality centrifugal lift off sprags which are wear free above the lift off speed (n min). To ensure correct operation motor speed must exceed lift off speed.

Suitable for ambient temperature -40°C to + 50°C



Warning

Removal of motor or backstop will release the drive. Ensure all driven machinery is secure prior to any maintenance work

IEC B5 FLANGE

Motor Frame Size	Lift off Speed ('n' min) (rev/min)	Rated Locking Torque ('T max') (at motor) (Nm)	øg6	kh
100	670	170	250	70
112	670	170	250	70
132	620	940	300	95
160	620	940	350	130
180	620	940	350	130
200	550	1260	400	130

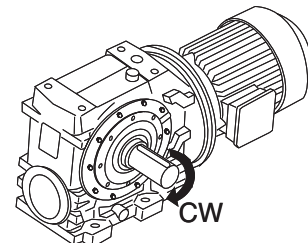
NEMA C FLANGE

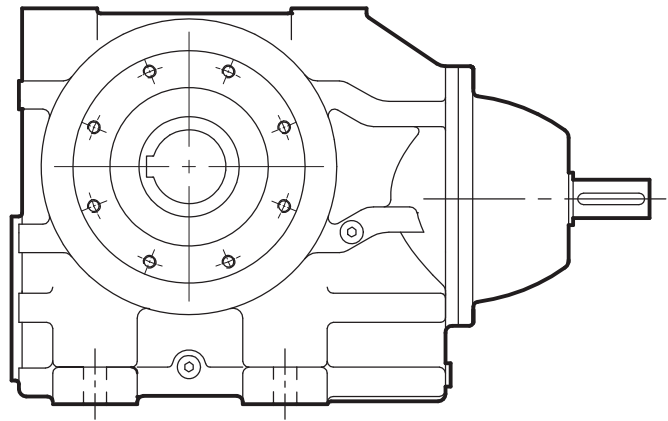
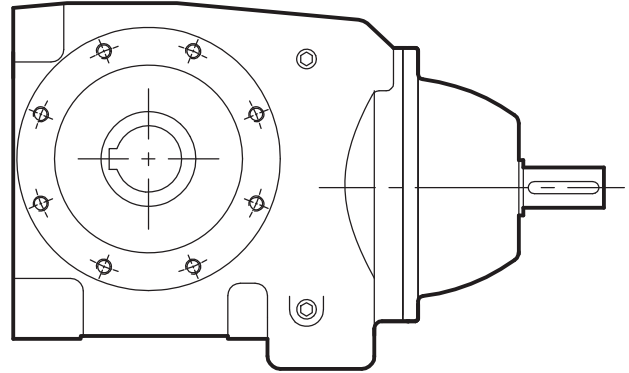
Motor Frame Size	Lift off Speed ('n' min) (rev/min)	Rated Locking Torque ('T max') (at motor) (Nm)	øg6	kh
182TC / 184TC	670	300	228	95.25
213TC / 215TC	670	300	228	95.25
254TC / 256TC	620	940	228	120.65
284TC / 286TC	620	940	280	136.50
324TC / 326TC	550	1260	330	152.40

When a backstop module is fitted dimension kh should be added to the overall length of the geared motor assembly.

Rotation of outputshaft must be specified when ordering as viewed from the outputshaft end (as shown in the diagram)

- | | | | | |
|----|---|---------------|---|---------------|
| CW | - | Free Rotation | - | Clockwise |
| | | Locked | - | Anticlockwise |
| AC | - | Free Rotation | - | Anticlockwise |
| | | Locked | - | Clockwise |





REDUCER

SERIES C

SERIES C

OVERHUNG & AXIAL LOADS (NEWTONS) ON SHAFTS

Maximum permissible overhung loads

When a sprocket, gear etc. is mounted on the shaft a calculation, as below, must be made to determine the overhung load on the shaft, and the results compared to the maximum permissible overhung loads tabulated. Overhung loads can be reduced by increasing the diameter of the sprocket, gear, etc. If the maximum permissible overhung load is exceeded, the sprocket, gear, etc. should be mounted on a separate shaft, flexibly coupled and supported in its own bearings, or the gear unit shaft should be extended to run in an outboard bearing. Alternatively, a larger gear is often a less expensive solution.

Permissible overhung loads vary according to the direction of rotation. The values tabulated are for the most unfavourable direction with the unit transmitting full rated power and the load P applied midway along the shaft extension. Hence they can sometimes be increased for a more favourable direction of rotation, or if the power transmitted is less than the rated capacity of the gear unit, or if the load is applied nearer to the gear unit case. Refer to our Application Engineers for further details. In any event, the sprocket, gear etc. should be positioned as close as possible to the gear unit case in order to reduce bearing loads and shaft stresses, and to prolong life. All units will accept 100% momentary overload on stated capacities.

Overhung load (Newtons)

$$P = \frac{\text{kW} \times 9,500,000 \times K}{N \times R}$$

where

- P = equivalent overhung load (Newtons)
- kW = power transmitted by the shaft (kilowatts)
- N = speed of shaft (rpm)
- R = pitch radius of sprocket, etc. (mm)
- K = factor

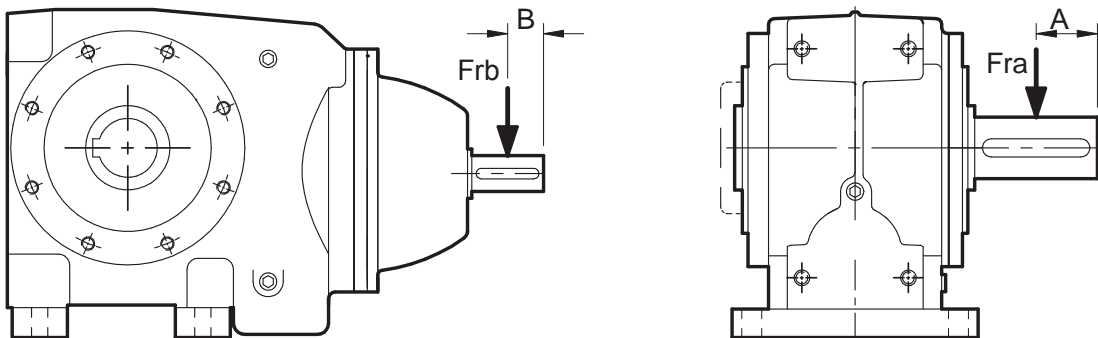
1 Newton = 0.10197kG (0.2248 lbs)

Overhung load

K (factor)

Chain sprocket*	1.00
Spur or helical pinion	1.25
Vee belt sheave	1.50
Flat belt pulley	2.00

* If multistrand chain drives are equally loaded and the outer strand is further than dimension A output or B input, refer to our Application Engineers.



Distance midway along the shaft extension

Size of unit	No. of Reductions	Dimension A (mm)	Dimension B (mm)
C03	2 - 3	17.5	20
C04	2 - 3	23	20
C05	2 - 3	30	20
C06	2 - 5	31.5	20
C07	2	38	25
C07	3 - 5	38	20
C08	2	60	30
C08	4 - 5	60	20
C09	2	67.5	40
C09	4 - 5	67.5	20
C10	2	85	55
C10	4	85	25
C10	5	85	20

Inputshaft Overhung Loads. Frb (Kn) 1450 rpm - Two Three and Four Stage Units

	C03	C04	C05	C06	C07	C08	C09	C10
2 Stage	1.50	1.50	1.25	1.05	2.1	3.1	3.5	4.5
4 Stage	1.50	1.50	1.50	1.50	1.50	1.50	1.50	1.80

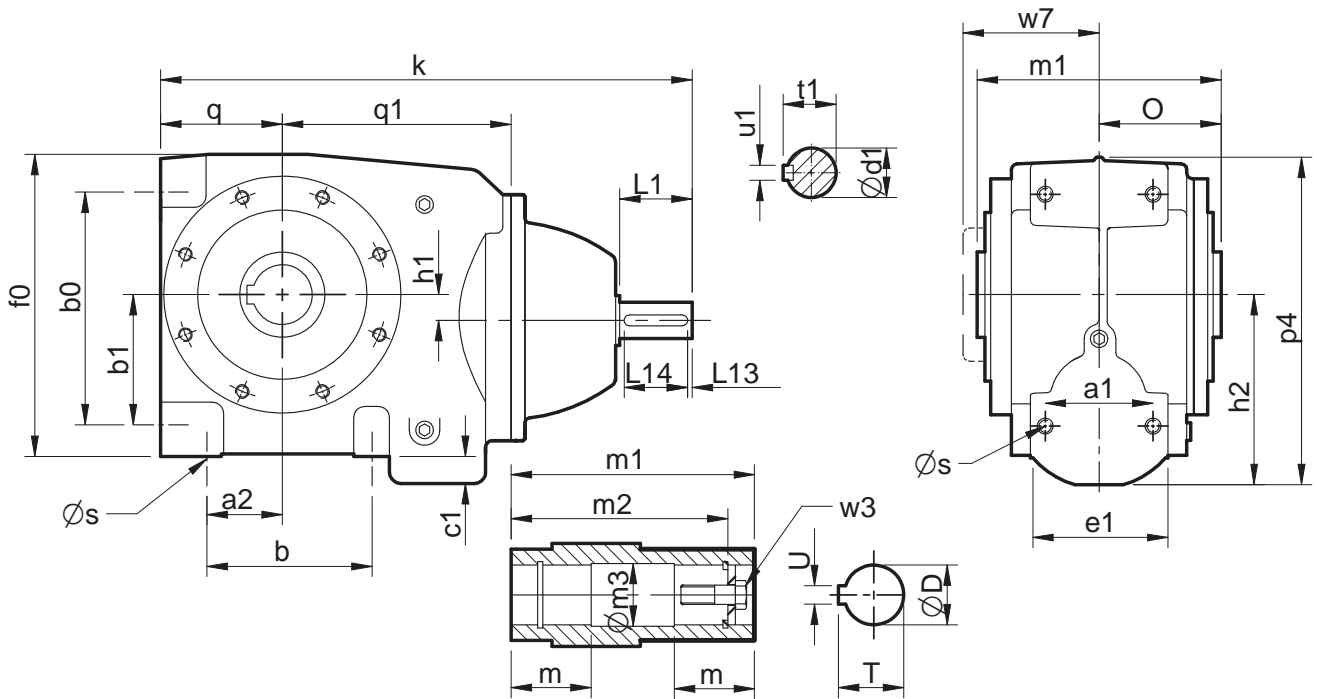
For output overhung load Fra consult ratings tables.

Axial Thrust Capacities (Newtons) No check or calculation is required for axial loads (FA) towards or away from the unit up to 50% of the permissible overhung load. If the axial thrust considerably exceeds these values or if there is a combination of axial thrust loads and overhung loads please contact our Application Engineers.

SERIES C

DIMENSIONS

DOUBLE REDUCTION



Size	a1	a2	b	b0	b1	c1	e1	f0	h1	h2	o
C0321	54	35	63	80	40	9	70	139	5.3	79.5	62
C0421	56	35	80	118	65	7	80	158	15	93	65
C0521	68	45	100	142	77	16	86	177	13	112	70
C0621	80	56	122	172	96	20	102	218	17	139.5	90

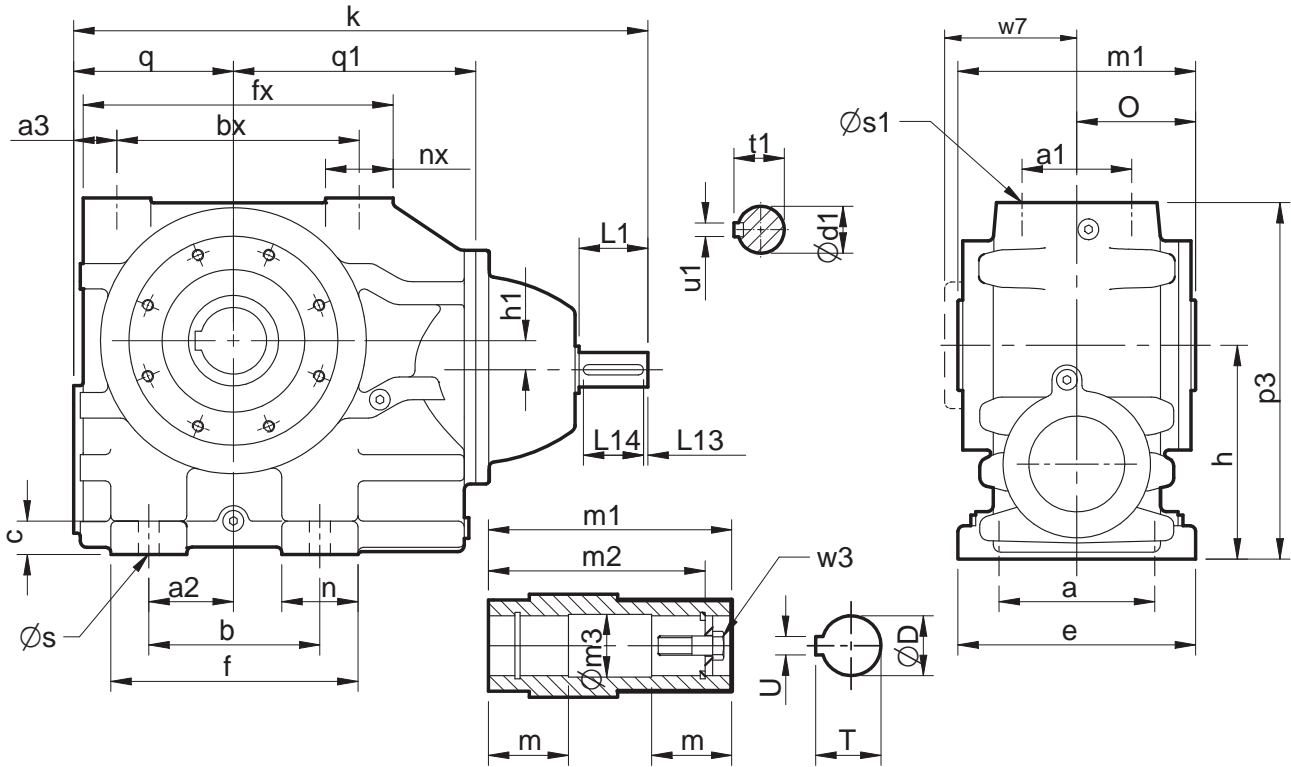
Size	p4	q	q1	s	w7	k
C0321	148	54	109	M8 x1.25 x 15	70	274
C0421	168	64	119	M10 x1.5 x 20	74.5	294
C0521	200	68	134	M10 x1.5 x 18	79	313
C0621	243	90	169	M12 x1.75 x 20	101	370

Size	d1	L1	L13	L14	t1	u1	D	m	m1	m2	m3	T	U	w3
C0321	16 k6	40	4	32	18	5	20	52	124	104	20.2	22.9	6	M6x1.0 x 40
C0421	16 k6	40	4	32	18	5	30	54	130	122	30.2	33.5	8	M10x1.5 x 50
C0521	16 k6	40	4	32	18	5	35	56	140	127	35.3	38.5	10	M12x1.75 x 55
C0621	19 k6	40	4	32	21.5	6	45	70	180	156	45.3	49	14	M16x2.0 x 70

SERIES C

DIMENSIONS

DOUBLE REDUCTION



Size	a	a1	a	a3	b2	bx	c	e	f	fx	h	h1	n	nx	o
C0721	150	100	75	35,5	135	215	28	185	202	280	180	26	67	63	109
C0821	200	120	92	43	180	250	35	250	260	326	225	28	80	71	125
C0921	250	135	115	50	235	290	40	305	320	380	280	40	85	85	150
C1021	300	150	170	62,5	310	345	45	360	420	460	335	65	110	107	175

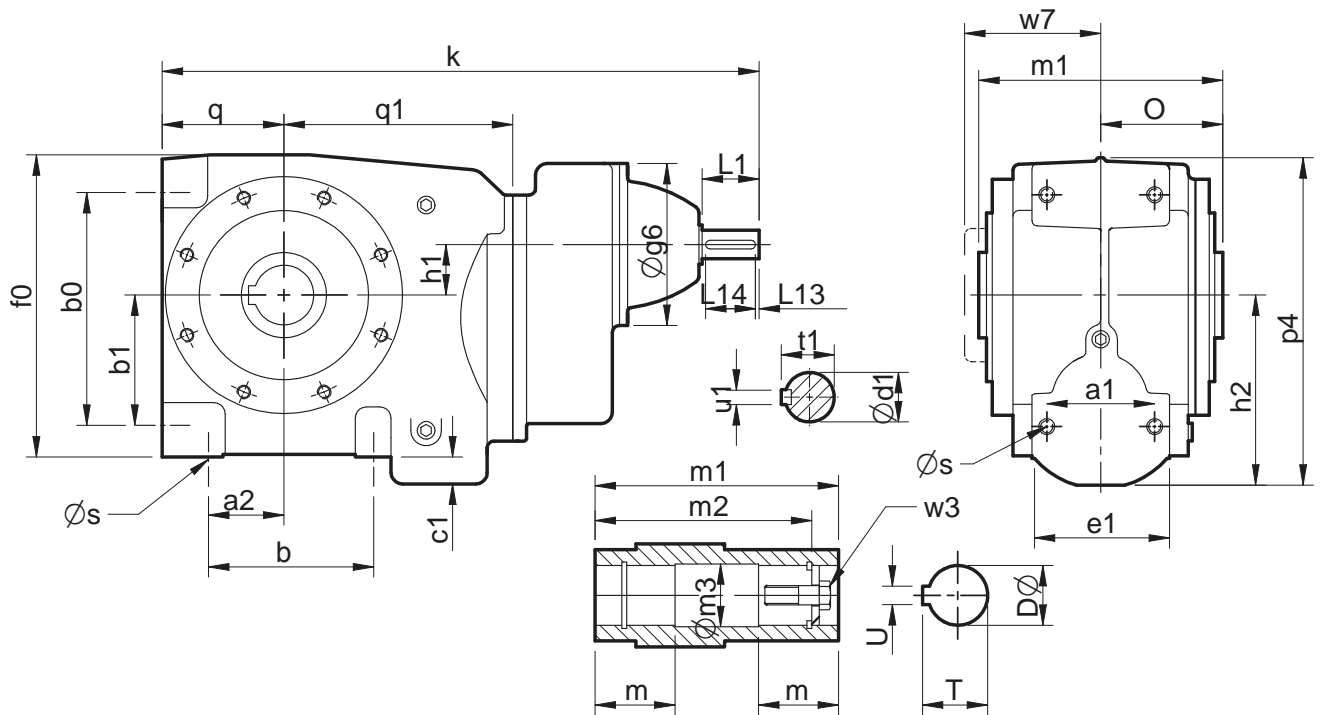
Size	p4	q	q1	s	s1	w7	k
C0721	302	143	220	18	M20 x 2,5 x 34	125	478
C0821	375	168	255	22	M20 x 2,5 x 34	143	583
C0921	457	195	300	26	M24 x 3,0 x 45	169	690
C1021	565	235	355	26	M24 x 3,0 x 45	198	823

Size	d1	L1	L13	L14	t1	u1	D	m	m1	m2	m3	T	U	w3
C0721	24 k6	50	5	40	27	8	60	79	218	188	60,5	64,6	18	M20 x 2,5 x 80
C0821	28 k6	60	5	50	31	8	70	90	250	220	70,5	75,1	20	M20 x 2,5 x 80
C0921	38 k6	80	5	70	41	10	90	107,5	300	265	90,5	95,6	25	M24 x 3,0 x 110
C1021	42 k6	110	10	70	45	12	100	132,5	350	313	100,5	106,6	28	M24 x 3,0 x 110

SERIES C

DIMENSIONS

TRIPLE REDUCTION



Size	a1	a2	b	b0	b1	c1	e1	f0	h1	h2	k	o
C0331	54	35	63	80	40	9	70	139	30.75	79.5	330	62
C0431	56	35	80	118	65	7	80	158	21.2	93	350	65
C0531	68	46	100	14	277	16	86	177	23	11	369	70
C0631	80	56	122	172	96	20	102	218	30	139.5	436	90

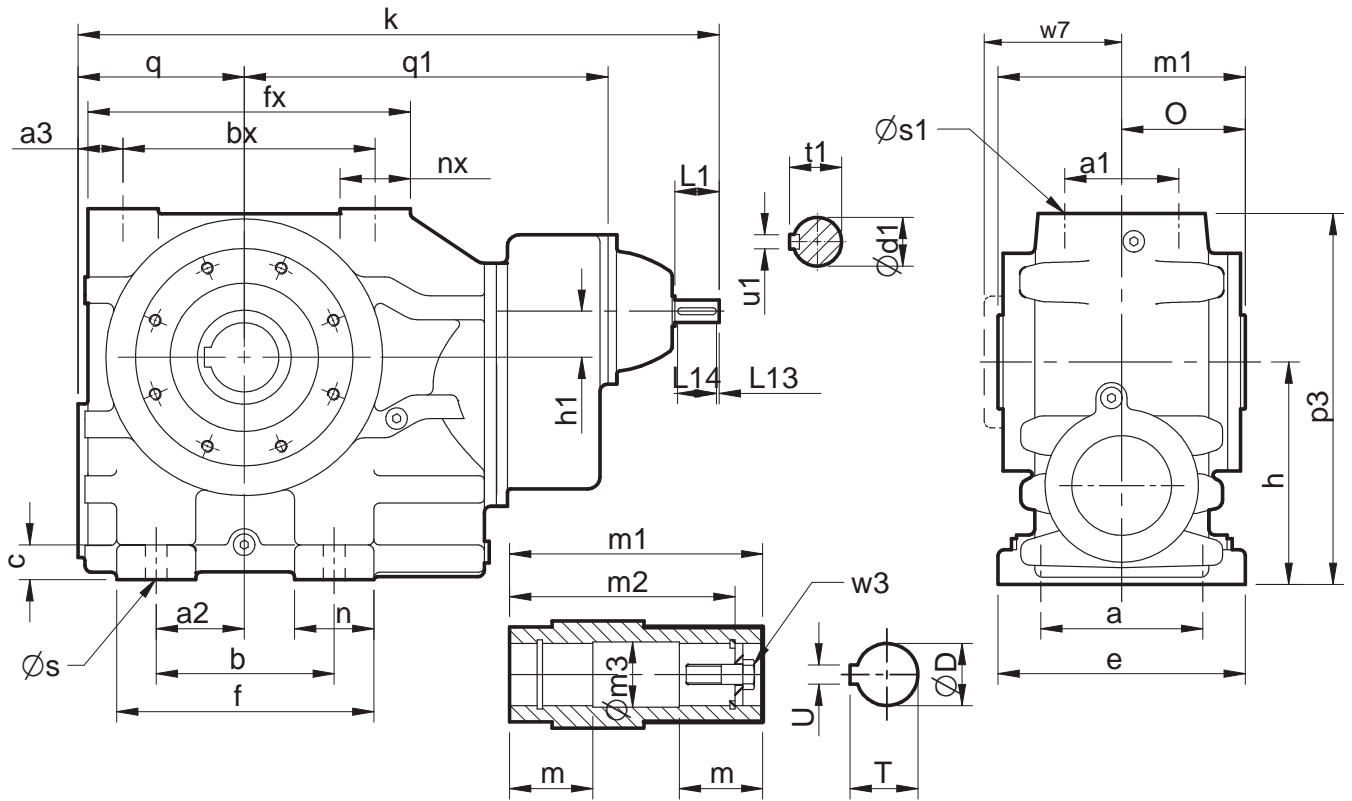
Size	p4	q	q1	s	w7
C0331	148	54	109	M8 x 1.25 x 15	70
C0431	168	64	119	M10 x 1.5 x 18	74.5
C0531	200	68	134	M10 x 1.5 x 18	79
C0631	243	90	169	M12 x 1.75 x 20	101

Size	d1	L1	L13	L14	t1	u1	D	m	m1	m2	m3	T	U	w3
C0321	16 k6	40	4	32	18	5	20	52	124	104	20.2	22.9	6	M6 x 1.0 x 40
C0421	16 k6	40	4	32	18	5	30	54	130	122	30.2	33.5	8	M10 x 1.5 x 50
C0521	16 k6	40	4	32	18	5	35	56	140	127	35.3	38.5	10	M12 x 1.75 x 55
C0621	19 k6	40	4	32	21.5	6	45	70	180	156	45.3	49	14	M16 x 2.0 x 70

SERIES C

DIMENSIONS

TRIPLE REDUCTION



Size	a	a1	a2	a3	b	bx	c	e	f	fx	h	h1	k	n	nx	o	p3	q	q1
C0731	150	100	75	35.5	135	215	28	185	202	280	180	34	560	67	63	109	302	143	220

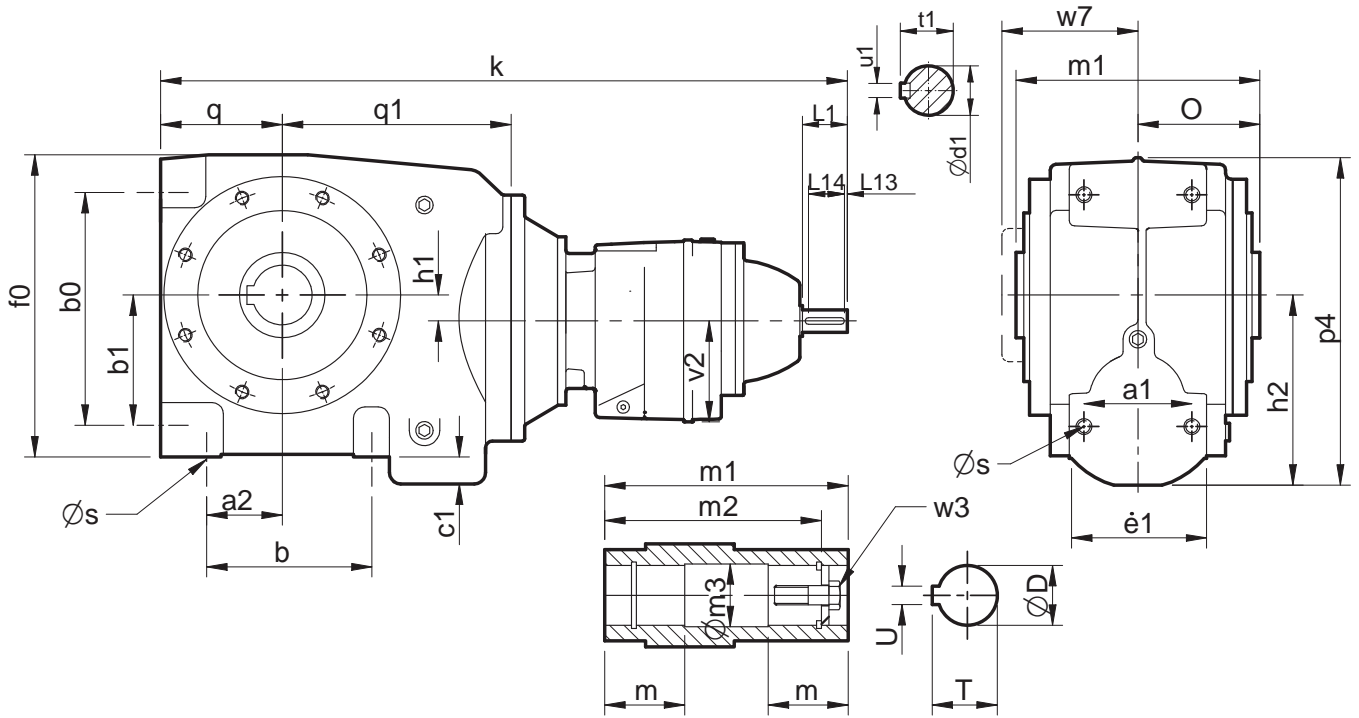
Size	p3	q	q1	s	s1	w7	g6
C0731	302	143	220	18	M20 x 2.5 x34	125	212

Size	d1	L1	L13	L14	t	u1	D	m	m1	m2	m3	T	U	w3
C0731	24 k6	50	5	40	27	8	60	79	218	188	60.5	64.6	18	M20 x 2.5 x 80

SERIES C

DIMENSIONS

QUADRUPLE REDUCTION



Size	a1	a2	b	b0	b1	c1	e1	f0	h1	h2	o
C0341	54	35	63	80	40	9	70	139	5.3	79.5	62
C0441	56	35	80	118	65	7	80	158	15	93	65
C0541	68	45	100	142	77	16	86	177	13	112	70
C0641	80	56	122	172	96	20	102	218	17	139.5	90

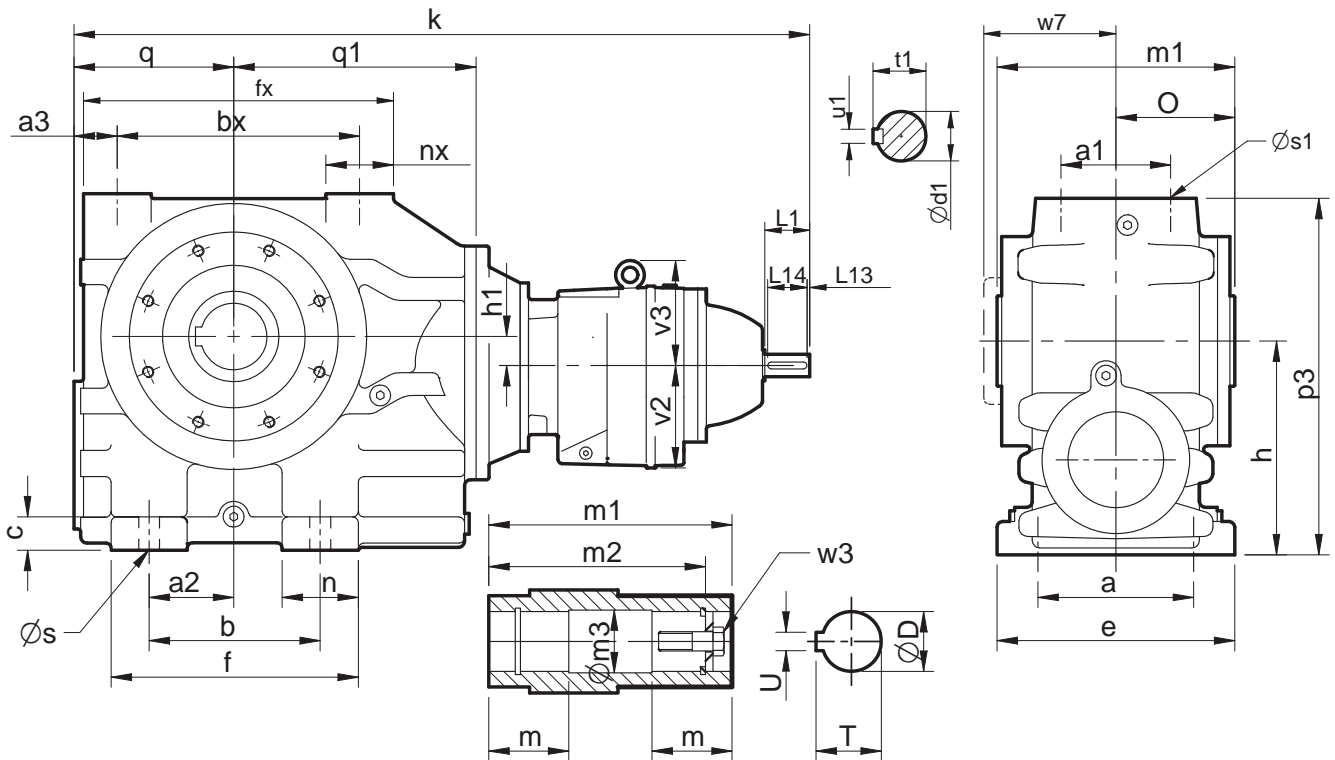
Size	p4	q	q1	s	v2	w7	k
C0341	148	54	109	M8 x1.25 x 15	76	70	460
C0441	168	64	119	M10 x1.5 x 20	76	74.5	480
C0541	200	68	134	M10 x1.5 x 18	76	79	499
C0641	243	90	169	M12 x1.75 x 20	91	101	572

Size	d1	L1	L13	L14	t1	u1	D	m	m1	m2	m3	T	U	w3
C0341	16 k6	40	4	32	18	5	20	52	124	104	20.2	22.9	6	M6 x1.0 x 40
C0441	16 k6	40	4	32	18	5	30	54	130	122	30.2	33.5	8	M10 x1.5 x 50
C0541	16 k6	40	4	32	18	5	35	56	140	127	35.3	38.5	10	M12 x1.75 x 55
C0641	16 k6	40	4	32	18	5	45	70	180	156	45.3	49	14	M16 x2.0 x 70

SERIES C

DIMENSIONS

QUADRUPLE REDUCTION



Size	a	a1	a2	a3	b	bx	c	e	f	fx	h	h1	n	nx	o
C0741	150	100	75	35.5	135	215	28	185	202	280	180	26	67	63	109
C0841	200	120	92	43	180	250	35	250	260	326	225	28	80	71	125
C0941	250	135	115	50	235	290	40	305	320	380	280	40	85	85	150
C1041	300	150	170	62.5	310	345	45	360	420	460	335	65	110	107	175

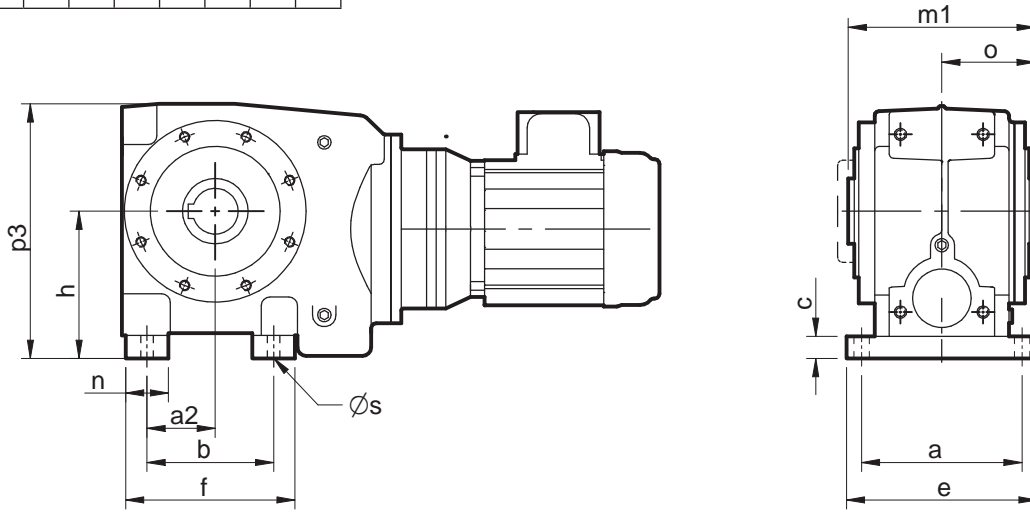
Size	p3	q	q1	s	s1	v2	v3	w7	k
C0741	302	143	220	18	M20 x 2.5 x 34	91	-	125	677
C0841	375	168	255	22	M20 x 2.5 x 34	115	-	143	779
C0941	457	195	300	26	M24 x 3.0 x 45	115	-	169	862
C1041	565	235	355	26	M24 x 3.0 x 45	140	155	198	997

Size	d1	L1	L13	L14	t1	u1	D	m	m1	m2	m3	T	U	w3
C0741	16 k6	40	4	32	18	5	60	79	218	188	60.5	64.6	18	M20 x 2.5 x 80
C0841	19 k6	40	4	32	21.5	6	70	90	250	220	70.5	75.1	20	M20 x 2.5 x 80
C0941	19 k6	40	4	32	21.5	6	90	107.5	300	265	90.5	95.6	25	M24 x 3.0 x 110
C1041	24 k6	50	5	40	27	8	100	132.5	350	313	100.5	106.6	28	M24 x 3.0 x 110

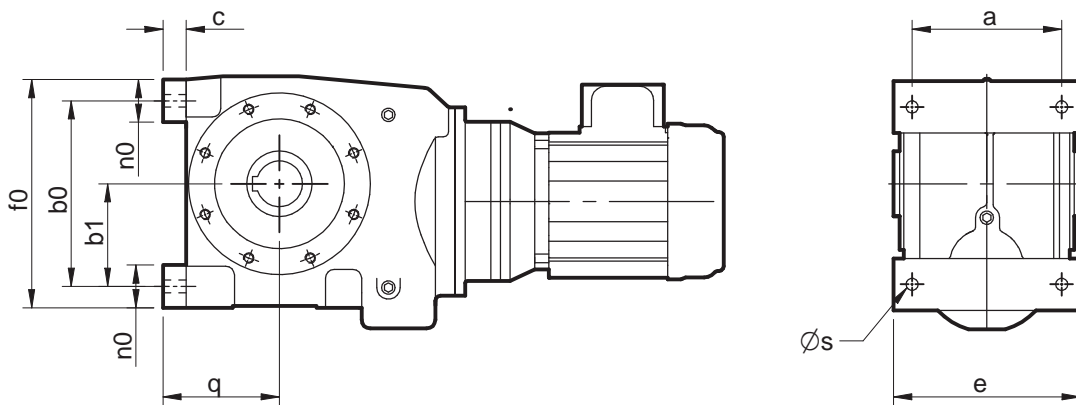
SERIES C

DIMENSIONS - FEET

C 0 2 B R STANDARD UNIT WITH BASE MOUNTED FEET



C 0 2 E R STANDARD UNIT WITH END MOUNTED FEET

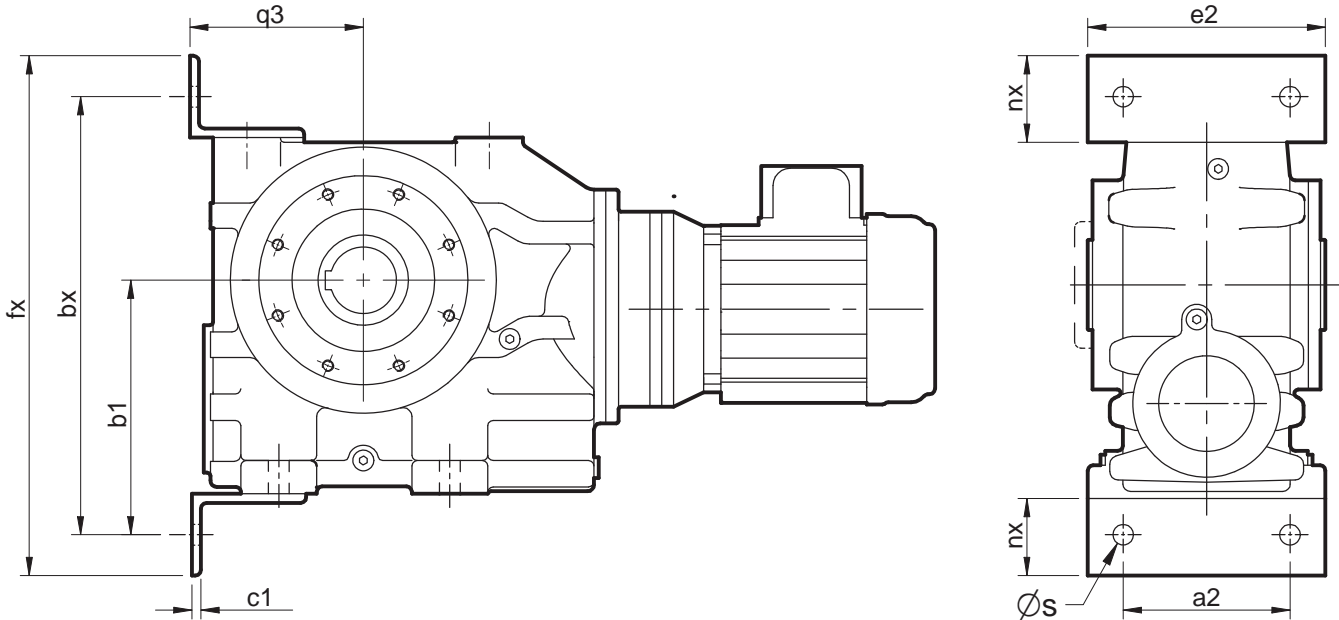


Size	a	b	b0	b1	c	e	f	f0	h	n	n0	p3	q	q2	s
C03	90	63	80	40	9	110	88	105	80	25	25	148	63	35	9
C04	100	80	118	65	14	124	115	153	100	35	35	175	78	35	11
C05	110	100	142	77	16	136	140	182	112	40	40	200	84	45	11
C06	130	130	180	100	20	160	172	222	140	50	50	243	110	60	14

SERIES C

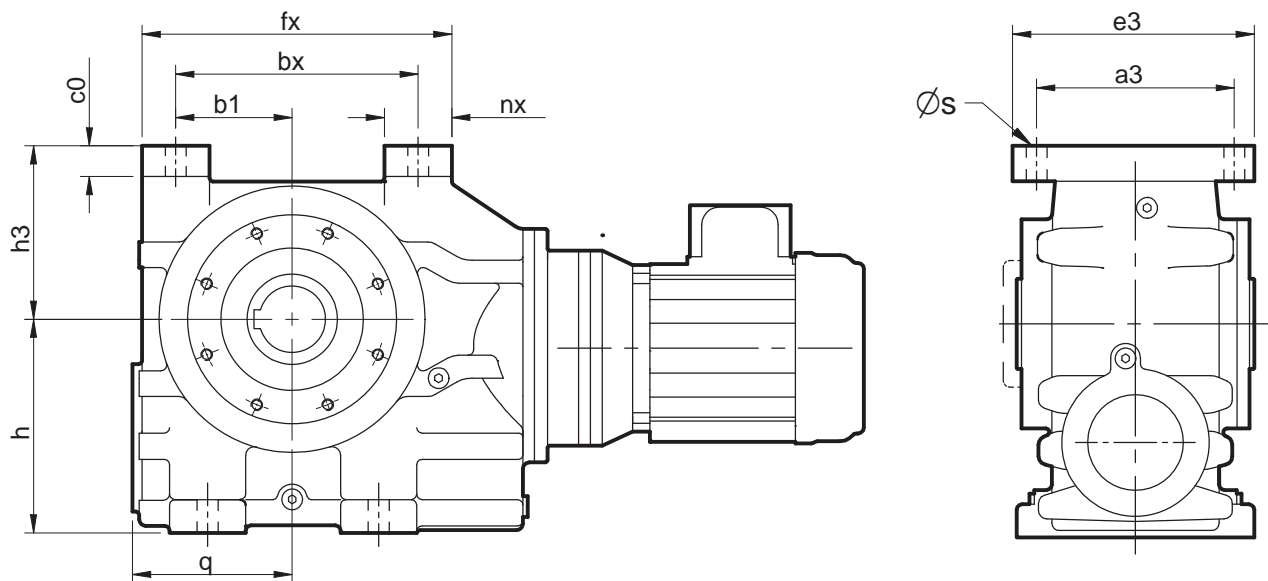
DIMENSIONS - FEET

C **E** **R** STANDARD UNIT WITH END MOUNTED FEET



Size	a2	bx	b1	c1	e2	fx	nx	q3	s
C07	170	392	225	12	220	452	75	162	22
C08	200	465	270	12	250	525	75	187	22
C09	250	557	330	15	305	637	90	220	26
C10	300	665	385	15	360	745	90	260	26

C **R** **R** STANDARD UNIT WITH TOP MOUNTED FEET



Size	a3	b1	bx	co	e3	fx	h	h3	nx	q	s
C07	205	107.5	215	28	256	278	180	150	63	143	24
C08	225	125	250	30	280	320	225	180	70	168	24
C09	240	145	290	35	300	370	280	212	80	195	28
C10	265	172.5	345	35	330	445	335	265	100	235	28

THERMAL POWER RATING

Thermal Ratings kW

Thermal ratings are a measure of the units ability to dissipate heat, if they are exceeded the lubricant may break down resulting in premature gear failure.

The ratings listed below are true for horizontal mounting position 1 running continuously with an ambient temperature equal to 20°C. For other mounting positions, ambients and units operating intermittently multiply thermal power ratings by factors Ft, Fp and Fd as appropriate.

Table 1 Thermal Power (kW)

Overall ratios	Input rpm	C03	C04	C05	C06	C07	C08	C09	C10
8 - 14	2900	2.80	3.85	4.69	5.1	Consult our Application engineers			
	1750	1.98	3.26	4.85	5.27	Consult our Application engineers			
	1450	1.73	2.85	4.41	4.46	5.71	9.53	18.2	32.5
	1160	1.45	2.40	3.89	3.91	5.71	9.53	11.5	27.7
	960	1.24	2.10	3.45	3.50	5.71	9.53	11.2	24.6
	725	1.07	1.69	2.70	2.79	5.31	9.02	10.0	20.6
	480	0.74	1.22	1.93	1.99	4.11	7.12	9.85	14.6
16 - 28	2900	1.70	2.76	3.07	3.73	Consult our Application engineers			
	1750	1.28	2.03	3.48	3.53	5.01	7.79	13.6	22.5
	1450	1.09	1.62	3.18	3.20	4.95	7.41	12.9	19.4
	1160	0.92	1.37	2.78	2.80	4.81	7.27	11.8	17.0
	960	0.83	1.26	2.45	2.49	4.48	6.91	10.7	14.9
	725	0.67	0.96	1.97	2.02	3.96	6.91	8.71	12.4
	480	0.47	0.66	1.64	1.66	2.90	4.87	6.50	8.78
> 28	2900	1.22	2.15	3.20	4.41	7.26	9.64	18.6	36.1
	1750	0.84	1.44	2.35	3.70	5.44	7.35	13.0	23.3
	1450	0.69	1.15	2.05	3.26	4.88	7.32	11.6	20.1
	1160	0.57	0.95	1.72	2.79	4.44	7.06	10.9	16.6
	960	0.51	0.85	1.55	2.43	3.97	6.47	8.76	14.1
	725	0.40	0.66	1.18	1.78	3.53	5.15	7.25	11.0
	480	0.33	0.45	0.87	1.28	2.50	3.70	5.37	7.53
	250	0.18	0.30	0.54	0.70	1.33	2.25	2.97	4.07

Table 2. Thermal service factor Ft

Thermal service factor for ambient temperature

Ambient temperature	-30	-20	-10	0	10	20	30	40	50
Factor	1.68	1.55	1.41	1.27	1.14	1.0	0.84	0.68	0.50

Table 3. Thermal service factor Fp

Thermal service factor for mounting positions

Unit Output Speed (Rev/min)			Mounting Position				
			1	2 & 3	4	5	6
0	to	25	1.00	0.997	0.996	0.995	0.993
>25	to	50	1.00	0.993	0.990	0.986	0.982
>50	to	75	1.00	0.987	0.981	0.974	0.968
>75	to	100	1.00	0.980	0.970	0.960	0.950
>100	to	200	1.00	0.943	0.914	0.886	0.858
>200	to	300	1.00	0.896	0.844	0.792	0.840
>300	to	400	1.00	0.840	0.760	0.680	0.600
>400			1.00	0.809	0.724	0.618	0.533

Table 4. Thermal service factor Fd

Thermal service factor for duration of running

Unit Output Speed (Rev/min)			% Running time per hour				
			100	80	60	40	20
0	to	10	1.00	1.18	1.45	1.72	2.38
>10	to	25	1.00	1.16	1.39	1.64	2.22
>25	to	50	1.00	1.14	1.31	1.54	2.00
>50	to	100	1.00	1.08	1.19	1.33	1.64
>100	to	150	1.00	1.04	1.08	1.19	1.41
>150	to	200	1.00	1.00	1.00	1.06	1.23
>200			1.00	1.00	1.00	1.00	1.00

Table 5. Thermal Power (Kw) With Cooling Fan

Overall ratios	Input RPM	C03	C04	C05	C06	C07	C08	C09	C10
8 - 14	2900	-	-	-	-	Consult our Application engineers			
	1750	-	-	-	-	Consult our Application engineers			
	1450	-	-	-	-	11,4	19,1	36,4	65,0
	1160	-	-	-	-	10,6	17,6	22,5	52,2
	960	-	-	-	-	10,0	16,7	19,6	43,0
	725	-	-	-	-	8,00	13,5	15,0	30,9
>14	2900	-	-	-	-	Consult our Application engineers			
	1750	-	-	-	-	11,3	17,7	30,9	51,2
	1450	-	-	-	-	11,2	17,5	30,6	50,6
	1160	-	-	-	-	9,90	14,8	25,8	38,8
	960	-	-	-	-	8,90	13,4	21,8	31,5
	725	-	-	-	-	7,84	12,1	18,7	26,1

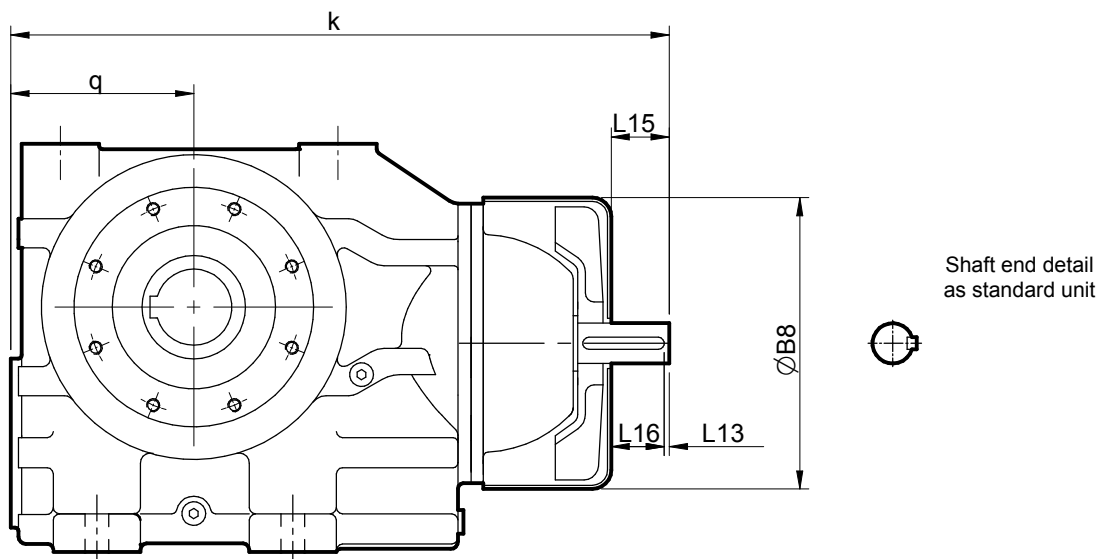
Note: When checking thermal capacities use actual load required to be transmitted, not rating of prime mover.

Column 10 Entry

For reducer fan kit modules enter S in column 10
or if used in conjunction with a reducer backstop module kit

Y CW rotation
Z CCW rotation

Dimensions of Fan Cooled Units



Size	$\varnothing B8$	k	L13	L15	L16	q
C0721	225	478	5	35	30	143
C0821	265	583	5	45	40	168
C0921	320	690	5	65	60	195
C1021	380	823	10	95	85	235

REDUCER BACKSTOP MODULE

The reducer units listed below can be fitted with an internal backstop, this has no effect of the external unit size. The backstop device incorporates high quality centrifugal lift off sprags which are wear free above the lift off speed (n min). To ensure correct operation input speed must exceed lift off speed.

Suitable for ambient temperature -40°C to $+50^{\circ}\text{C}$

Column 10 Entry

For reducer fan kit modules enter

W

for CCW rotation (or

Z

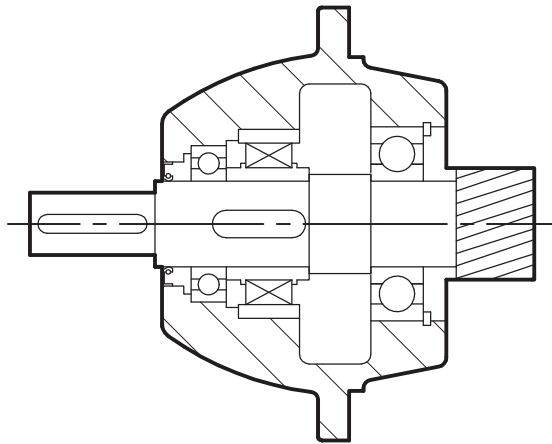
if used in conjunction with a fan kit)

X

for CW rotation (or

Y

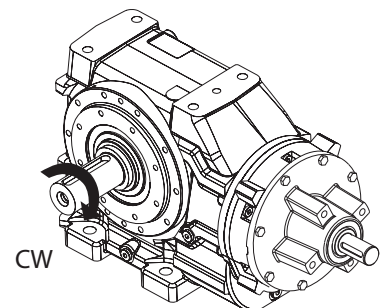
if used in conjunction with a fan kit)



Size	Lift off speed ('n min) at inputshaft (rev/min)	Rated locking Torque ('T max') at inputshaft (Nm)
C0622/C0842/C0941	800	100
C0722/C1041	670	170
C0822	670	300
C0921	620	940
C1021	550	1260

Rotation of outputshaft must be specified when ordering as viewed from the outputshaft end (as shown in the diagram)

CW	-	Free Rotation	-	Clockwise
		Locked	-	Anticlockwise
AC	-	Free Rotation	-	Anticlockwise
		Locked	-	Clockwise



SERIES C

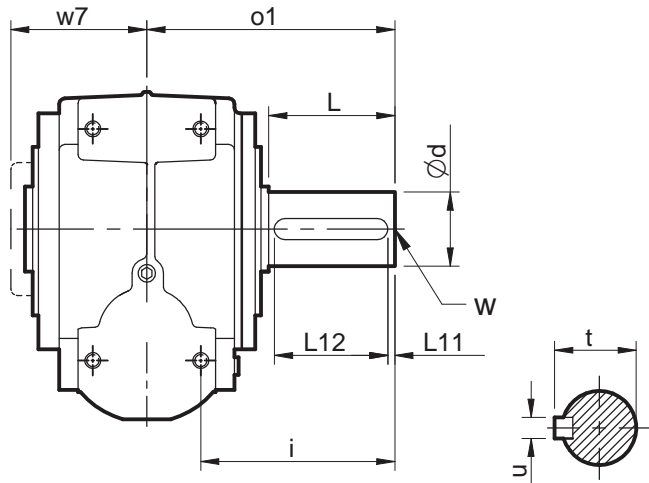
DIMENSIONS

OUTPUTSHAFT OPTIONS

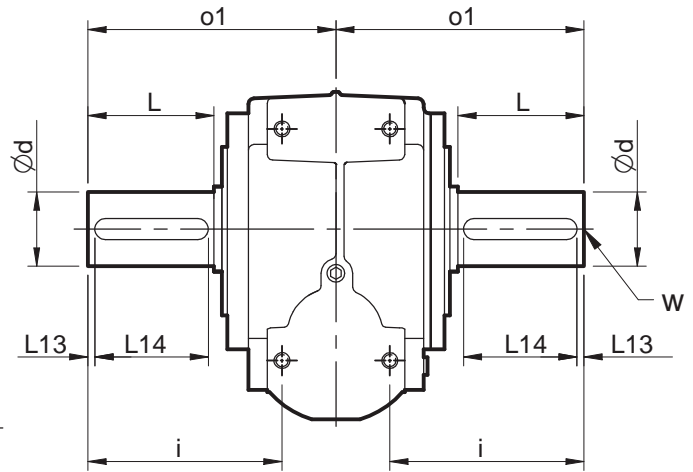
STANDARD OUTPUTSHAFT OPTION

STANDARD DOUBLE EXTENDED OUTPUTSHAFT OPTION

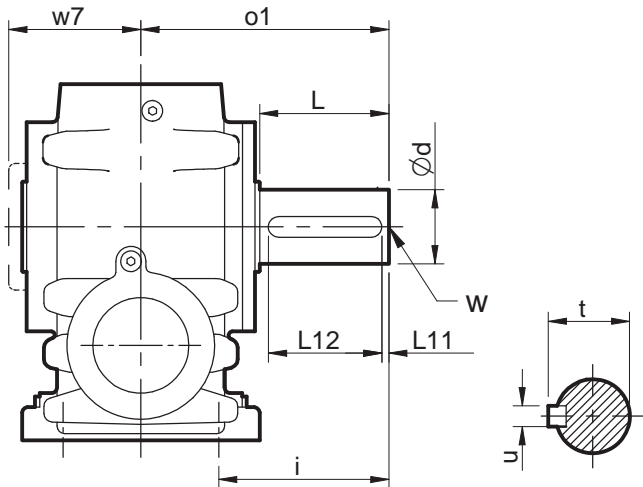
C03 - C06



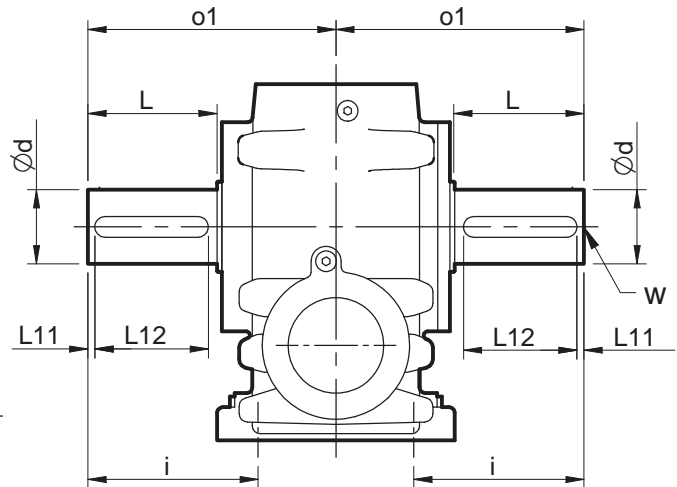
C03 - C06



C07 - C10



C07 - C10

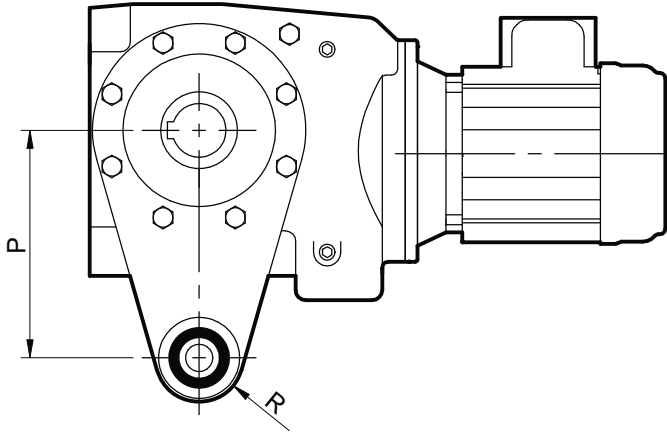


Size	ød	i	L	L11	L12	o1	t	u	w	w7
C0321	20,015 / 20,002	73	35	3	31	100	22,5	6	M8 x 1.0 x 16	70
C0421	25,015 / 25,002	87	46	3	42	115	28	8	M10 x 1.5 x 22	74,8
C0521	30,015 / 30,002	100	60	3	53	134	33	8	M10 x 1.5 x 22	79
C0621	35,018 / 35,002	120	63	3	55	160	38	10	M12 x 1.75 x 25	101
C0621 Heavy duty	45,018 / 45,002	155	98	5	80	195	48,5	14	M12 x 1.75 x 25	101
C0721	45,018 / 45,002	120	76	3	70	195	48,5	14	M16 x 2.0 x 36	125
C0821	60,030 / 60,011	155	120	3	110	255	64	18	M20 x 2.5 x 42	143
C0921	70,030 / 70,011	170	135	3	125	295	74,5	20	M20 x 2.5 x 42	169
C1021	90,035 / 90,013	216	170	3	160	366	95	25	M24 x 3.0 x 50	198

SERIES C

TORQUE ARM

It is recommended that the torque arm is positioned such that the it is fitted on the side of the unit adjacent to the driven machine.

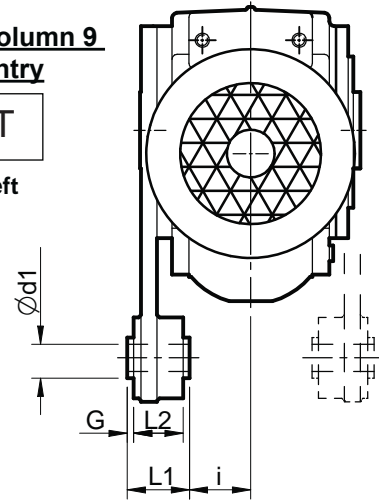


Column 9 Entry

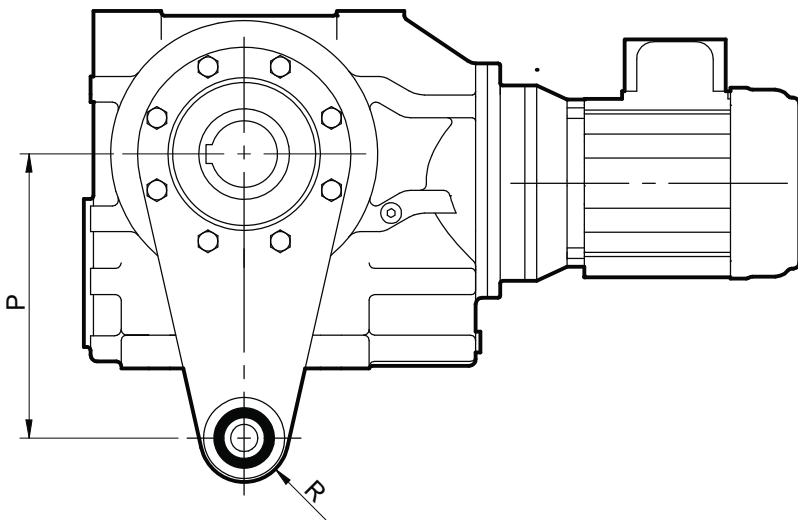
T
Left

Column 9 Entry

Q
Right



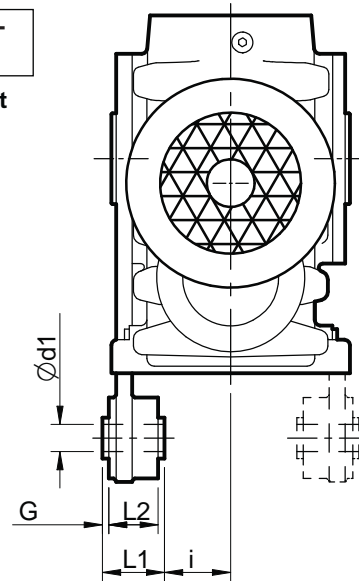
Size	d1	G	i	L1	L2	P	R
C03	10.3	2	47	36	32	110	23
C04	10.3	2	52	36	32	130	23
C05	10.3	2	52	36	32	160	23
C06	16.3	2	71.5	44	32	200	38



Column 9 Entry

T
Left

Q
Right

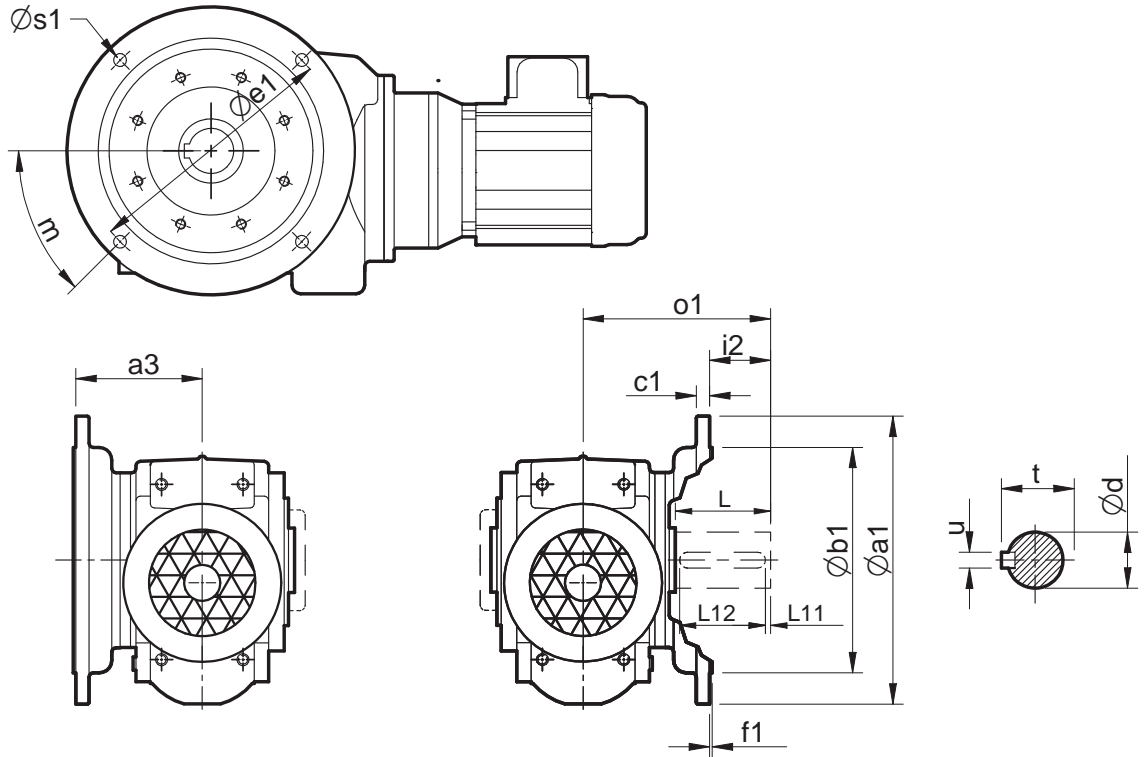


Size	$\phi d1$	G	i	L1	L2	P	R
C07	16.3	2	77.5	60	56	250	38
C08	16.3	2	85.5	60	56	310	38
C09	25	5	98	80	70	380	45
C10	25	5	137	80	70	430	45

SERIES C

DIMENSIONS

D (B5) FLANGE



Column 9 Entry

F Left

Column 9 Entry

H Right

Size	$\varnothing a1$	$a3$	$\varnothing b1$	$c1$	$\varnothing e1$	$f1$	m	$\varnothing s1$
C03 Red Dia.	120	75	80 j6	8	100	3	45°	6.6
C03	160	75	110 j6	10	130	4	45°	9
C04	160	86	110 j6	10	130	3.5	45°	9
C05	200	107	130 j6	12	165	3.5	45°	11
C06	200	120	130 j6	12	165	3.5	45°	11
C07	250	145	180 j6	12	215	4	45°	14
C08	350	170	250 h6	18	300	5	45°	18
C09	450	200	350 h6	20	400	5	22.5°	18
C10	450	232	350 h6	22	400	5	22.5°	18

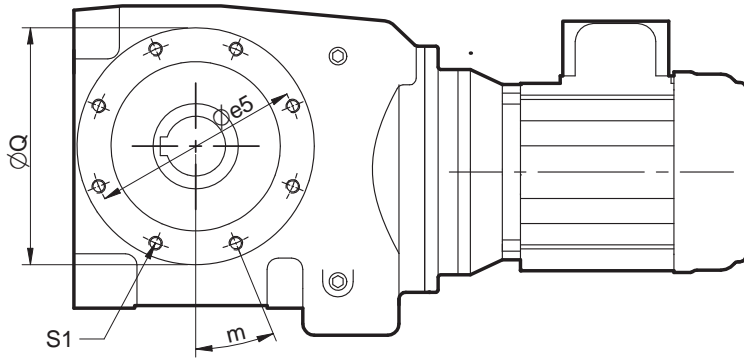
Size	$\varnothing d$	$i2$	L	$L11$	$L12$	o	t	u	v
C0321	20.015 / 20.002	27	35	3	31	100	22.5	6	M8 x 1.0 x 16
C0421	25.015 / 25.002	40	46	3	42	115	28	8	M10 x 1.5 x 22
C0521	30.015 / 30.002	48	60	3	53	134	33	8	M10 x 1.5 x 22
C0621	35.018 / 35.002	53	63	3	55	160	38	10	M12 x 1.75 x 22
C0621 Heavy duty	45.018 / 45.002	75	98	5	80	195	48.5	14	M12 x 1.75 x 22
C0721	45.018 / 45.002	50	76	3	70	195	48.5	14	M16 x 2.0 x 36
C0821	60.030 / 60.011	85	120	3	110	255	64	18	M20 x 2.5 x 42
C0921	70.030 / 70.011	95	135	3	125	295	74.5	20	M20 x 2.5 x 42
C1021	90.035 / 90.013	134	170	3	160	366	95	25	M24 x 3.0 x 50

SERIES C

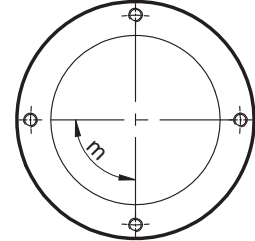
DIMENSIONS

C (B14) FLANGE

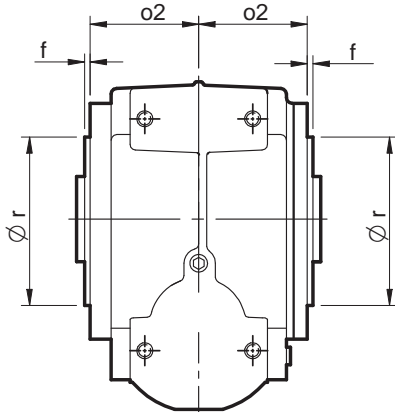
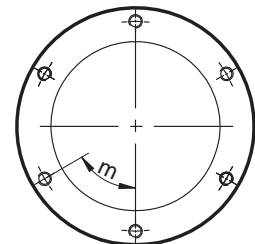
C04, C05, C06, C08



C03

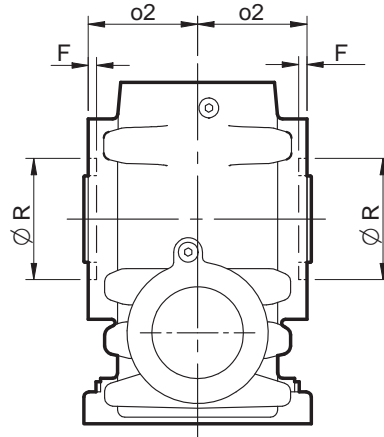


C07, C09



C03 - C06

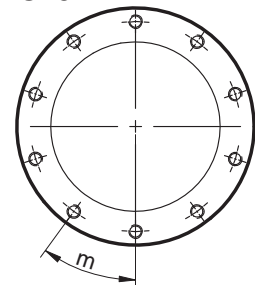
Male spigot



C07 - C10

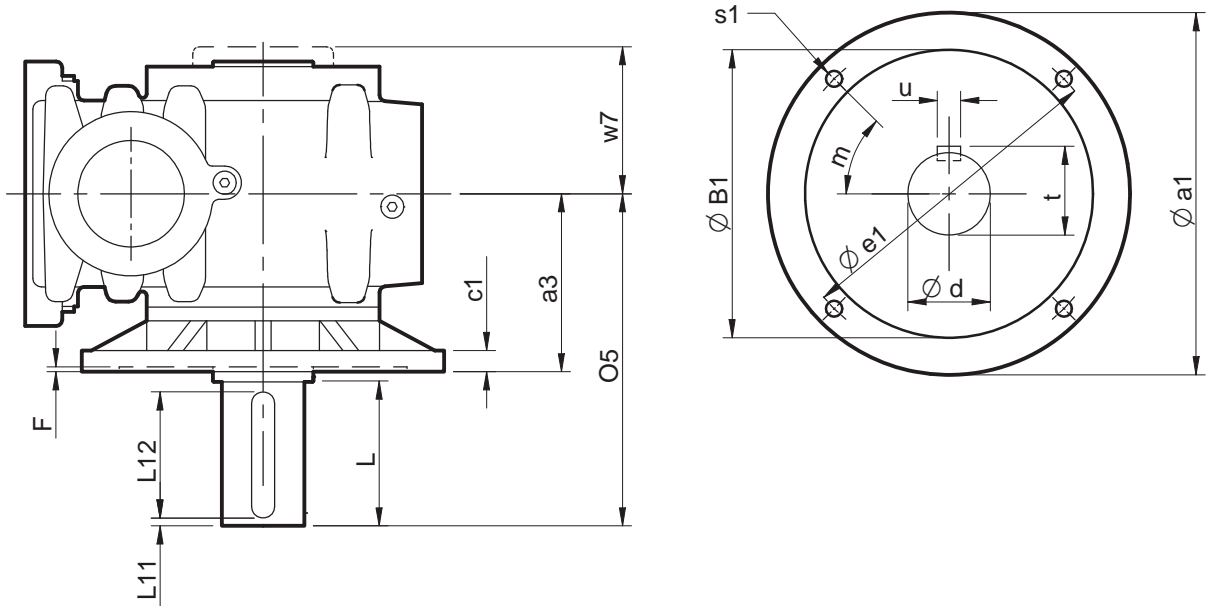
Female recess

C10



Size	øe5	f	F	m	o2	ø Q	ø r (h7)	ø R (H7)	S1
C03	90	4	-	90°	57	106	70	-	(4) M8 x 1.25 x 22
C04	107	4	-	22.5°	57	122	85	-	(8) M8 x 1.25 x 22
C05	130	4	-	22.5°	62	146	105	-	(8) M8 x 1.25 x 22
C06	155	5	-	22.5°	81	175	125	-	(8) M10 x 1.5 x 22
C07	150	-	4.5	60°	104	180	-	130	(6) M12 x 1.75 x 22
C08	195	-	5.0	22.5°	120	220	-	150	(8) M12 x 1.75 x 22
C09	230	-	5.0	60°	144	280	-	180	(6) M16 x 2.0 x 27
C10	280	-	7.0	36°	167	360	-	210	(10) M16 x 2.0 x 27

AGITATOR - Non Standard Special Build.
Please consult our Application Engineers



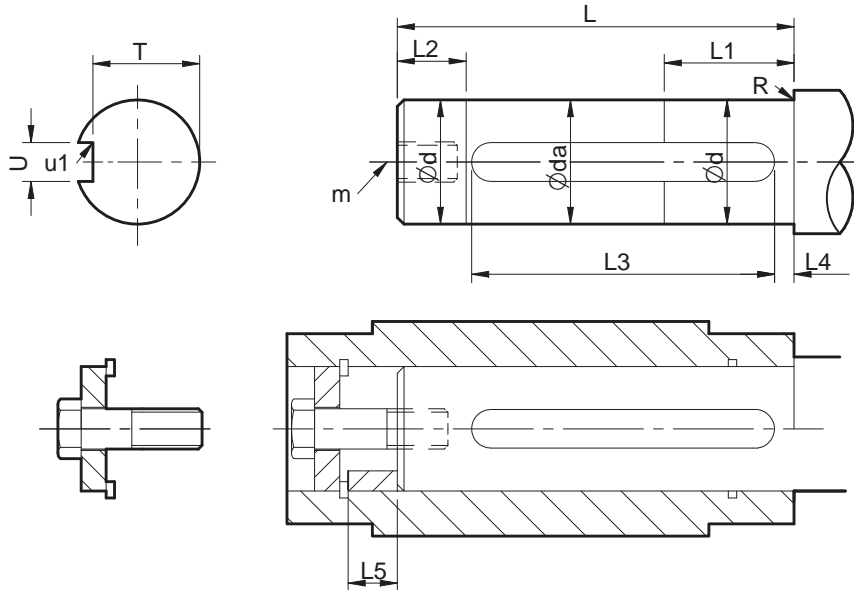
Size	a1	a3	B1 (H7)	c1	d (m6)	e1	F	L	L11	L12	m	O5	S	t	u	w7
C07	300	160	230	16	65	265	6	125	5	110	45°	290	(4) Ø 15	69	18	125
C08	350	180	250	17	75	300	7	140	5	125	45°	325	(4) Ø 19	79.5	20	143
C09	400	200	300	20	85	350	7	155	5	140	45°	360	(4) Ø 19	90	22	169
C10	450	212	350	22	100	400	7	175	5	160	22.5°	392	(8) Ø 19	106	28	198

SERIES C

DIMENSIONS

STANDARD BORE ASSEMBLY

ASSEMBLY ONTO SHAFT - CUSTOMERS SHAFT DETAIL



Size	Bore	d	da	L	L1	L2	L3	L4	L5	m	N	R	T	U	u1
C03	Std	19.993/ 19.980	19.6	82	30	10	61.3 61.0	3	22	M6x1.0x16	8 Nm	0.8R	16.5 16.4	6.000 / 5.970	0.16 0.25R
	Reduced	24.993/ 24.980	24.6	99	38	13	79.3 79.0	3	23	M10x1.5x22	15 Nm	0.8R	21.0 20.8	8.000 / 7.964	0.16 0.25R
C04	Std	29.993/ 29.980	29.6	99	45	15	79.3 79.0	3	26	M10x1.5x22	15 Nm	0.8R	26.0 25.8	8.000 / 7.964	0.16 0.25R
	Reduced	29.993/ 29.980	29.6	104	45	15	79.3 79.0	3	23	M10x1.5x22	15 Nm	0.8R	26.0 25.8	8.000 / 7.964	0.16 0.25R
C05	Std	34.991/ 34.975	34.6	104	53	18	77.3 77.0	3	23	M12x1.75x28	20 Nm	0.8R	30.0 29.8	10.000 / 9.964	0.16 0.25R
	Reduced	39.991/ 39.975	39.6	125	60	20	100.5 100.0	3	31	M16x2x36	45 Nm	0.8R	35.0 34.8	12.000 / 11.957	0.4 0.25R
C06	Std	44.991/ 44.975	44.6	125	68	23	101.5 101.0	3	31	M16x2x36	45 Nm	0.8R	39.5 39.3	14.000 / 13.957	0.4 0.25R
	Reduced	49.991/ 49.975	49.6	153	75	25	130.5 130.0	3	35	M16x2x38	45 Nm	1.2R	44.5 44.3	14.000 / 13.957	0.4 0.25R
C07	Std	59.990 / 59.971	59.6	153	90	30	148.5 148.0	3	38	M20x2.5x42	85 Nm	1.2R	53.0 52.8	18.000 / 17.957	0.4 0.25R
	Reduced	59.990 / 59.971	59.6	183	91	31	148.5 148.0	3	37	M20x2.5x42	85 Nm	1.2R	53.0 52.8	18.000 / 17.957	0.4 0.25R
C08	Std	69.990 / 69.971	69.6	183	105	35	177.5 177.0	3	37	M20x2.5x42	85 Nm	1.2R	62.5 62.3	20.000 / 19.94	0.6 80.4R
	Reduced	69.990 / 69.971	69.6	227	105	35	177.5 177.0	3	58	M20x2.5x42	85 Nm	1.2R	62.5 62.3	20.000 / 19.94	0.6 80.4R
C09	Std	89.988 / 89.966	89.6	227	135	45	221.5 221.0	3	58	M24x3.0x50	200 Nm	1.2R	81.0 80.8	25.000 / 24.948	0.6 0.4R
	Reduced	79.990 / 79.971	79.6	260	120	40	225.5 225.0	3	53	M20x2.5x42	85 Nm	1.2R	71.0 70.8	22.000 / 21.946	0.6 0.4R
C10	Std	99.988 / 99.966	99.6	327	150	45	238.5 238.0	10	46	M24x3x50	200 Nm	1.2R	90 89.8	28.000 / 27.948	0.4 0.4R
	Reduced	79.990 / 79.971	79.6	260	120	40	225.5 225.0	3	53	M20x2.5x42	85 Nm	1.2R	71.0 70.8	22.000 / 21.946	0.6 0.4R

Assembly Instructions

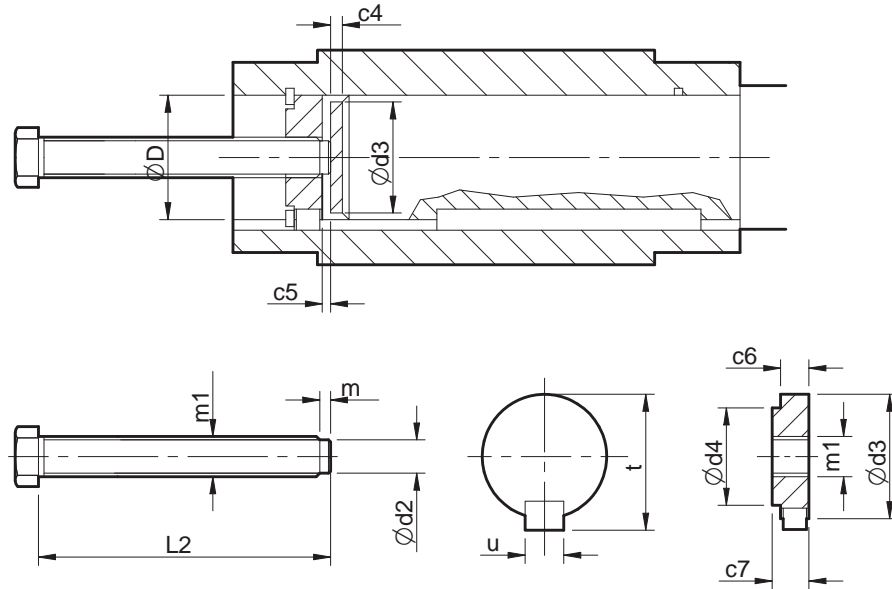
1. Spray the hollow shaft bore and mating diameter of the output shaft with Rocol DFSM or equivalent antiscuffing spray.
2. Fit key into shaft.
3. Fit the circlip into the output sleeve.
4. Fit the spacer tube only if the output shaft has no shoulder, then fit the output shaft into the output sleeve.
5. Secure in place with the washer and bolt. Torque tighten to the values stated in column N of the above table.
6. Fit plastic protective cover.

SERIES C

DIMENSIONS

STANDARD BORE DISASSEMBLY

DISASSEMBLY METHOD FROM SHAFT



PARTS SUPPLIED BY CUSTOMER

Size	Bore	c4	c6	c7	D (H7)	d2	d3	d4	L2	m	m1	t	u
C03	Std	5	10	12	20	7	19.9	11.2	120	3	M10 x 1.5	22	6
C04	Reduced	5	15	17	25	13	24.9	16.2	160	3	M16 x 2.0	2	8
	Std	5	15	17	30	13	29.9	20.8	160	3	M16 x 2.0	33	8
C05	Reduced	5	15	17	30	13	29.9	20.8	160	3	M16 x 2.0	33	8
	Std	5	15	17	35	13	34.9	25.2	160	3	M16 x 2.0	38	10
C06	Reduced	5	20	23	40	20	39.9	30.9	220	3	M24 x 3.0	43	12
	Std	5	20	23	45	20	44.9	34.1	220	3	M24 x 3.0	49	14
C07	Reduced	5	20	23	50	20	49.9	39.0	220	3	M24 x 3.0	54	14
	Std	8	24	27	60	26	59.9	47.4	250	5	M30 x 3.5	64	1
C08	Reduced	8	24	27	60	26	59.9	47.4	250	5	M30 x 3.5	64	1
	Std	8	24	27	70	26	69.9	58.4	310	5	M30 x 3.5	74.5	20
C09	Reduced	8	24	27	70	26	69.9	58.4	310	5	M30 x 3.5	74.5	20
	Std	8	24	27	90	26	89.9	75.3	360	5	M30 x 3.5	95	25
C10	Reduced	8	24	27	80	26	79.9	65.5	360	5	M30 x 3.5	85	22
	Std	8	30	34	100	32	99.9	84.1	420	5	M30 x 3.5	106	2

BASE MOUNT UNITS WITH STANDARD HOLLOW SHAFT

Unit size & No off reductions		C0321	C0331	C0341	C0421	C0431	C0441	C0521	C0531	C0541	C0621	C0631	C0641	C0721	C0731	C0741	C0821	C0841	C0921	C0941	C1021	C1041	
Reducer Version		11	14	20	15	18	23	18	21	28	32	38	43	74	81	83	117	143	181	204	326	372	
Single Output Shaft		0.4			1.0			1.5			3.7			7.0			12		19		30		
Double Output Shaft		0.6			1.5			2.3			5.6			11			18		28		45		
Motorised	63	Without Motor	12	13	20	16	17	24	18	19	29	28	33	44		80	83						
		With Motor	16	17	25	20	21	29	23	24	33	32	37	48		84	88						
	71	Without Motor	11	13	20	15	17	24	18	19	28	28	33	44		80	83						
		With Motor	18	19	26	22	23	30	25	26	35	34	39	50		87	89						
	80A	Without Motor	12	14	20	16	18	24	19	22	29	31	35	44	71	80	83	118	143	174	204		369
		With Motor	21	23	30	25	27	34	28	31	38	39	43	54	80	88	93	127	152	183	213		37
	80B	Without Motor	12	14	20	16	18	24	19	22	29	31	35	44	71	80	83	118	143	174	204		369
		With Motor	23	25	31	27	29	35	30	33	40	42	46	55	82	91	94	129	154	185	215		380
	90S	Without Motor	13	15	21	16	18	25	19	22	30	32	35	45	72	80	84	118	144	174	205		370
		With Motor	26	28	35	30	32	39	33	36	43	46	50	58	85	94	98	131	157	187	218		383
	90L	Without Motor	13	15	21	16	18	25	19	22	30	32	35	45	72	80	84	118	144	174	205		370
		With Motor	27	29	36	31	33	40	34	37	44	47	52	59	86	95	99	132	158	188	219		34
	100L	Without Motor										35			74			120	146	176	207	313	372
		With Motor										59			98			144	170	200	231	337	396
	112M	Without Motor										35			74			120	146	176	207	313	372
		With Motor										66			105			151	177	207	238	344	403
	132S	Without Motor													76			123		179		316	374
		With Motor													124			171		227		364	422
	132M	Without Motor													76			123		179		316	374
		With Motor													128			175		231		368	426
	160M	Without Motor																128		184		321	
		With Motor																241		297		434	
	160L	Without Motor																128		184		321	
		With Motor																261		317		454	
	180M	Without Motor																		197		334	
		With Motor																		364		501	
	180L	Without Motor																		197		334	
		With Motor																		378		515	
	200L	Without Motor																		201		338	
		With Motor																		433		570	
225S	Without Motor																		205		342		
	With Motor																		492		629		
225M	Without Motor																		205		342		
	With Motor																		527		664		

ALL WEIGHTS IN KG ALL WEIGHTS EXCLUDE LUBRICANT AND ARE FOR STANDARD SHAFT MOUNT UNITS, FOR BASE MOUNT UNITS ADD WEIGHT OF SHAFT (SHOWN AT TOP OF TABLE) TO THE FIGURES SHOWN ABOVE

IMPORTANT

Product Safety Information

General - The following information is important in ensuring safety. It **must** be brought to the attention of personnel involved in the selection of the equipment, those responsible for the design of the machinery in which it is to be incorporated and those involved in its installation, use and maintenance.

The equipment will operate safely provided it is selected, installed, used and maintained properly. As with any power transmission equipment **proper precautions must** be taken as indicated in the following paragraphs, to ensure safety.

Potential Hazards - these are **not** necessarily listed in any order of severity as the degree of danger varies in individual circumstances. It is important therefore that the list is studied in its entirety:-

- 1) Fire/Explosion
 - (a) Oil mists and vapour are generated within gear units. It is therefore dangerous to use naked lights in the proximity of gearbox openings, due to the risk of fire or explosion.
 - (b) In the event of fire or serious overheating (over 300 °C), certain materials (rubber, plastics, etc.) may decompose and produce fumes. Care should be taken to avoid exposure to the fumes, and the remains of burned or overheated plastic/rubber materials should be handled with rubber gloves.
- 2) Guards - Rotating shafts and couplings must be guarded to eliminate the possibility of physical contact or entanglement of clothing. It should be of rigid construction and firmly secured.
- 3) Noise - High speed gearboxes and gearbox driven machinery may produce noise levels which are damaging to the hearing with prolonged exposure. Ear defenders should be provided for personnel in these circumstances. Reference should be made to the Department of Employment Code of Practice for reducing exposure of employed persons to noise.
- 4) Lifting - Where provided (on larger units) only the lifting points or eyebolts must be used for lifting operations (see maintenance manual or general arrangement drawing for lifting point positions). Failure to use the lifting points provided may result in personal injury and/or damage to the product or surrounding equipment. Keep clear of raised equipment.
- 5) Lubricants and Lubrication
 - (a) Prolonged contact with lubricants can be detrimental to the skin. The manufacturer's instruction must be followed when handling lubricants.
 - (b) The lubrication status of the equipment must be checked before commissioning. Read and carry out all instructions on the lubricant plate and in the installation and maintenance literature. Heed all warning tags. Failure to do so could result in mechanical damage and in extreme cases risk of injury to personnel.
- 6) Electrical Equipment - Observe hazard warnings on electrical equipment and isolate power before working on the gearbox or associated equipment, in order to prevent the machinery being started.
- 7) Installation, Maintenance and Storage
 - (a) In the event that equipment is to be held in storage, for a period exceeding 6 months, prior to installation or commissioning, application engineering must be consulted regarding special preservation requirements. Unless otherwise agreed, equipment must be stored in a building protected from extremes of temperature and humidity to prevent deterioration.
The rotating components (gears and shafts) must be turned a few revolutions once a month (to prevent bearings brinelling).
 - (b) External gearbox components may be supplied with preservative materials applied, in the form of a "waxed" tape overwrap or wax film preservative. Gloves should be worn when removing these materials. The former can be removed manually, the latter using white spirit as a solvent.

Preservatives applied to the internal parts of the gear units do not require removal prior to operation.
 - (c) Installation must be performed in accordance with the manufacturer's instructions and be undertaken by suitably qualified personnel.
 - (d) Before working on a gearbox or associated equipment, ensure that the load has been removed from the system to eliminate the possibility of any movement of the machinery and isolate power supply. Where necessary, provide mechanical means to ensure the machinery cannot move or rotate. Ensure removal of such devices after work is complete.
 - (e) Ensure the proper maintenance of gearboxes in operation. Use only the correct tools and approved spare parts for repair and maintenance. Consult the Maintenance Manual before dismantling or performing maintenance work.
- 8) Hot Surfaces and Lubricants
 - (a) During operation, gear units may become sufficiently hot to cause skin burns. Care must be taken to avoid accidental contact.
 - (b) After extended running the lubricant in gear units and lubrication systems may reach temperatures sufficient to cause burns. Allow equipment to cool before servicing or performing adjustments.
- 9) Selection and Design
 - (a) Where gear units provide a backstop facility, ensure that back-up systems are provided if failure of the backstop device would endanger personnel or result in damage.
 - (b) The driving and driven equipment must be correctly selected to ensure that the complete machinery installation will perform satisfactorily, avoiding system critical speeds, system torsional vibration, etc.
 - (c) The equipment must not be operated in an environment or at speeds, powers, torques or with external loads beyond those for which it was designed.
 - (d) As improvements in design are being made continually the contents of this catalogue are not to be regarded as binding in detail, and drawings and capacities are subject to alterations without notice.

The above guidance is based on the current state of knowledge and our best assessment of the potential hazards in the operation of the gear units.

Any further information or clarification required may be obtained by contacting an Application Engineer.

AUSTRALIA

Radicon Transmission (Australia) PTY Ltd

Australia
Tel: +61 421 822 315

EUROPE

Benzler TBA BV Jachthavenweg 2 NL-5928 NT Venlo

Germany
Tel: 0800 350 40 00
Fax: 0800 350 40 01

Italy
Tel: +39 02 824 3511

Netherlands & the rest of Europe
Tel: +31 77 324 59 00
Fax: +31 77 324 59 01

INDIA

**Elecon. Engineering
Company Ltd.**
Anand Sojitra Road
Vallabh Vidyanagar
388120 Gujarat
India

Tel: +91 2692 236513

DENMARK

Benzler Transmission A/S
Dalager 1
DK-2605 Brøndby,
Denmark

Tel: +45 36 34 03 00
Fax: +45 36 77 02 42

FINLAND

Oy Benzler AB
Vanha Talvitie 3C
FI-00580 Helsingfors,
Finland

Tel: +358 9 340 1716
Fax: +358 10 296 2072

SWEDEN & NORWAY

AB Benzlers
Porfyrgatan
254 68 Helsingborg
Sweden

Tel: +46 42 18 68 00
Fax: +46 42 21 88 03

THAILAND

**Radicon Transmission
(Thailand) Ltd**
700/43 Moo 6
Amata Nakorn Industrial Estate
Tumbol Klongtumru
Muang,
Chonburi
20000
Thailand

Tel: +66 3845 9044
Fax: +66 3821 3655

UNITED KINGDOM

Radicon Transmission UK Ltd
Unit J3
Lowfields Business Park,
Lowfields Way, Elland
West Yorkshire, HX5 9DA

Tel: +44 1484 465 800
Fax: +44 1484 465 801

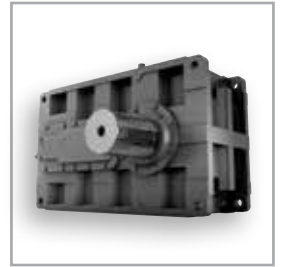
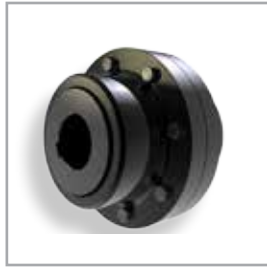
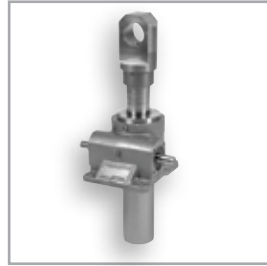
USA

Radicon Drive Systems, Inc.
2475 Alft Lane
Elgin
Chicago
Illinois
60124
USA

Tel: +1 847 593 9910
Fax: +1 847 593 9950



Gentstraat 187
B-8770 Ingelmunster
t +32 0 51 30 49 73
t +32 0 51 30 98 63
f +32 0 51 31 41 02
Info@bcl.be
www.bcl.be



benzlers*
radicon*