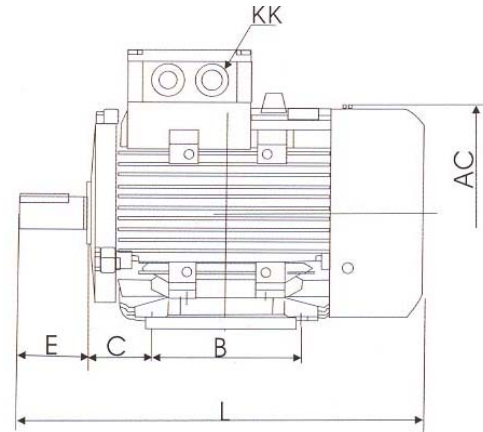
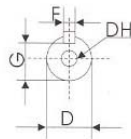
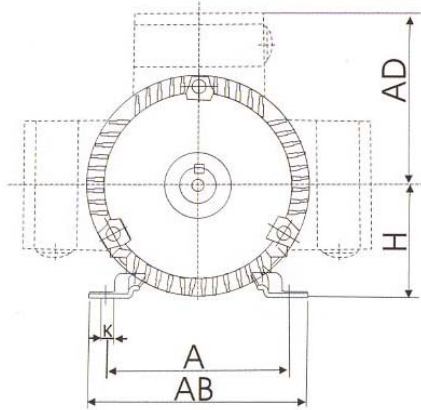
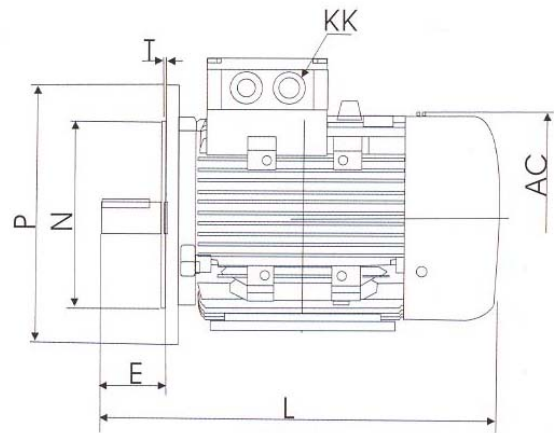
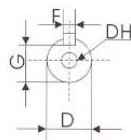
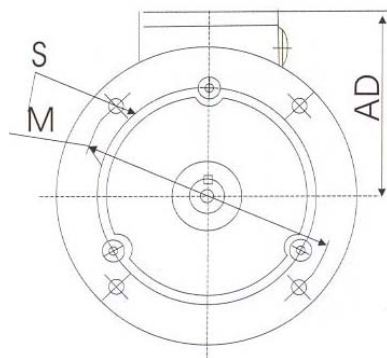


JL56-160

**B3**



**B5**

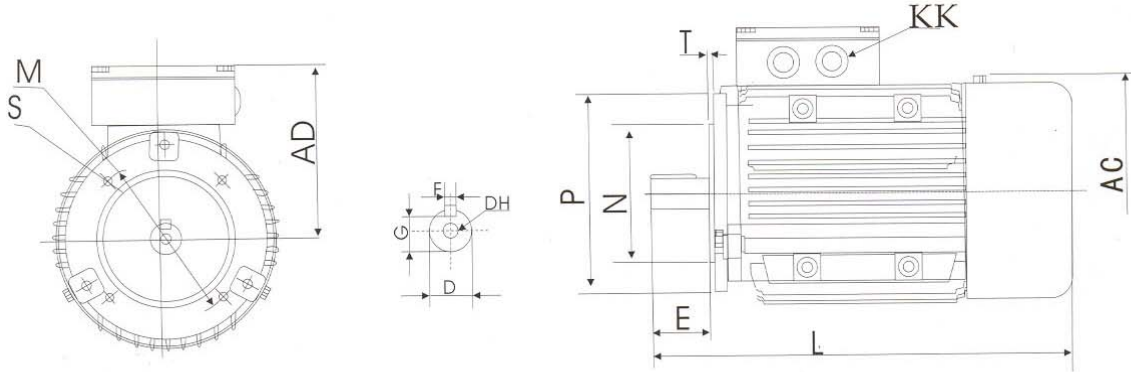


FRAME	A	AB	AC	AD	B	C	D	DH	E	F	G	H	K	KK	L	M	N	P	S	T
	METRIC																			
JL56	90	115	110	100	71	36	9	M4X12	20	3	7.2	56	5.8	1-M20X1.5	170	100	80	120	7	3
JL63	100	135	130	115	80	40	11	M4X12	23	4	8.5	63	7	1-M20X1.5	225	115	95	140	10	3
JL71	112	150	145	120	90	45	14	M5X12	30	5	11	71	7	1-M20X1.5	250	130	110	160	10	3.5
JL80	125	165	175	145	100	50	19	M6X16	40	6	15.5	80	10	1-M25X1.5	295	165	130	200	12	3.5
JL90S	140	180	195	155	100	56	24	M8X19	50	8	20	90	10	1-M25X1.5	315	165	130	200	12	3.5
JL90L	140	180	195	155	125	56	24	M8X19	50	8	20	90	10	1-M25X1.5	340	165	130	200	12	3.5
JL100L	160	205	215	180	140	63	28	M10X22	60	8	24	100	12	1-M32X1.5	385	215	180	250	15	4
JL112M	190	230	240	190	140	70	28	M10X22	60	8	24	112	12	2-M32X1.5	400	215	180	250	15	4
JL132S	216	270	275	210	140	89	38	M12X28	80	10	33	132	12	2-M32X1.5	470	265	230	300	15	4
JL132M	216	270	275	210	178	89	38	M12X28	80	10	33	132	12	2-M32X1.5	510	265	230	300	15	4
JL160M	254	320	330	255	210	108	42	M16X36	110	12	37	160	15	2-M40X1.5	615	300	250	350	19	5
JL160L	254	320	330	255	254	108	42	M16X36	110	12	37	160	15	2-M40X1.5	670	300	250	350	19	5

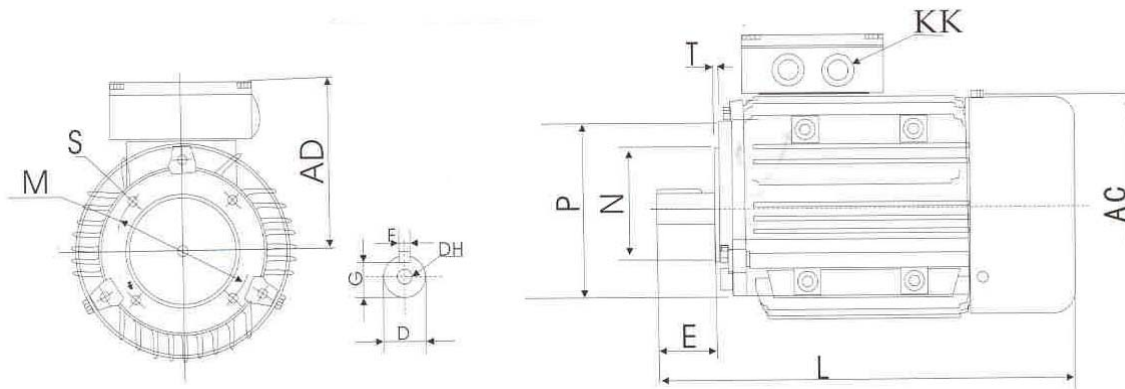


JL56-160

# B14A



# B14B



FRAME	AC	AD	D	DH	E	F	G	KK METRIC	L	B14A						B14B				
										M	N	P	S	T	M	N	P	S	T	
JL56	110	100	9	M4X12	20	3	7.2	1-M20X1.5	170	65	50	80	M5	2.5	85	70	105	M6	2.5	
JL63	130	115	11	M4X12	23	4	8.5	1-M20X1.5	225	75	60	90	M5	2.5	85	70	105	M6	2.5	
JL71	145	120	14	M5X12	30	5	11	1-M20X1.5	250	85	70	105	M6	2.5	115	95	140	M8	3	
JL80	175	145	19	M6X16	40	6	15.5	1-M25X1.5	295	100	80	120	M6	3	130	110	160	M8	3.5	
JL90S	195	155	24	M8X19	50	8	20	1-M25X1.5	315	115	95	140	M8	3	130	110	160	M8	3.5	
JL90L	195	155	24	M8X19	50	8	20	1-M25X1.5	340	115	95	140	M8	3	130	110	160	M8	3.5	
JL100L	215	180	28	M10X22	60	8	24	1-M32X1.5	385	130	110	160	M8	3.5	165	130	200	M10	3.5	
JL112M	240	190	28	M10X22	60	8	24	2-M32X1.5	400	130	110	160	M8	3.5	165	130	200	M10	3.5	
JL132S	275	210	38	M12X28	80	10	33	2-M32X1.5	470	165	130	200	M10	3.5	215	180	250	M12	4	
JL132M	275	210	38	M12X28	80	10	33	2-M32X1.5	510	165	130	200	M10	3.5	215	180	250	M12	4	
JL160M	330	255	42	M16X36	110	12	37	2-M40X1.5	615	215	180	250	M12	4	-	-	-	-	-	
JL160L	330	255	42	M16X36	110	12	37	2-M40X1.5	670	215	180	250	M12	4	-	-	-	-	-	